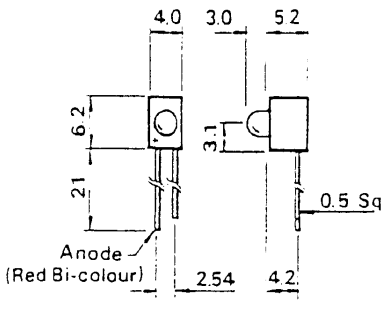


264-362 to 453

182



DIMENSIONS IN mm (TYPICAL) SCALE 1:1

- Low current versions
- 12 volt models available
- Minimum line quantity 50

264-362/386

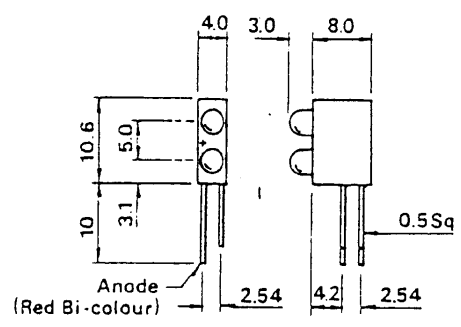
ORDERING INFORMATION AND TECHNICAL CHARACTERISTICS (Ta = 25°C)

264441
264386
264398

ORDER CODE	COLOUR	TYP FWD VOLTAGE Vf @ Iopr	FORWARD CURRENT Iopr	LUMINOUS INTENSITY Iv @ Iopr	WAVE LENGTH λp	VIEWING ANGLE 2Θ1/2	OPERATING TEMP Topr	STORAGE TEMP Tstg
103 - 305 - 01	Red	1.8	2.0	1.5	650	30	- 40 to + 85	- 50 to + 100
103 - 311 - 01	Yellow	1.9	2.0	1.5	585			
103 - 314 - 01	Green	1.9	2.0	2.0	563			
103 - 305 - 04	Red	2.1	20	33	650			
103 - 311 - 04	Yellow	2.2	20	33	585			
103 - 314 - 04	Green	2.2	20	47	563	60		
103 - 381 - 20	Red	5.0	10	8.0	635			
103 - 382 - 20	Yellow	5.0	10	8.0	590			
103 - 383 - 20	Green	5.0	10	8.0	565	50		
103 - 330 - 04	Red/Green Bi-Colour	2.0 2.2	20	12	635 565			
	Diffused	V	mA	mcd	nm	deg	°C	°C

Mean Time Between Failure 100,000 hours, Low Current Models 250,000 hours

109 Series - Duplex 3 mm LED 1 Way 90° Mounting PCB Indicator



DIMENSIONS IN mm (TYPICAL) SCALE 1:1

- Save board space and assembly time
- Blue available
- Minimum line quantity 50

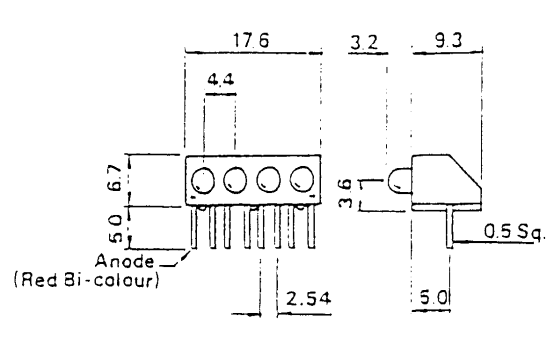
ORDERING INFORMATION AND TECHNICAL CHARACTERISTICS (Ta = 25°C)

264383

ORDER CODE	COLOUR	TYP FWD VOLTAGE Vf @ Iopr	FORWARD CURRENT Iopr	LUMINOUS INTENSITY Iv @ Iopr	WAVE LENGTH λp	VIEWING ANGLE 2Θ1/2	OPERATING TEMP Topr	STORAGE TEMP Tstg
109 - 305 - 01	Red	1.8	2.0	1.5	650	30	- 40 to + 85	- 50 to + 100
109 - 311 - 01	Yellow	1.9	2.0	1.5	585			
109 - 314 - 01	Green	1.9	2.0	2.0	563			
109 - 305 - 04	Red	2.1	20	33	650			
109 - 311 - 04	Yellow	2.2	20	33	585			
109 - 314 - 04	Green	2.2	20	47	563	60		
109 - 381 - 20	Red	5.0	10	8.0	635			
109 - 382 - 20	Yellow	5.0	10	8.0	590			
109 - 383 - 20	Green	5.0	10	8.0	565	50		
109 - 330 - 04	Red/Green Bi-Colour	2.0 2.2	20	12	635 565			
	Diffused	V	mA	mcd	nm	deg	°C	°C

Mean Time Between Failure 100,000 hours, Low Current Models 250,000 hours

107 Series Single 3 mm LED 4 Way 90° Mounting PCB Indicator



- Multi-colour permutations available
- Suitable for flow soldering assembly
- 12 volt range available
- Minimum line quantity 20

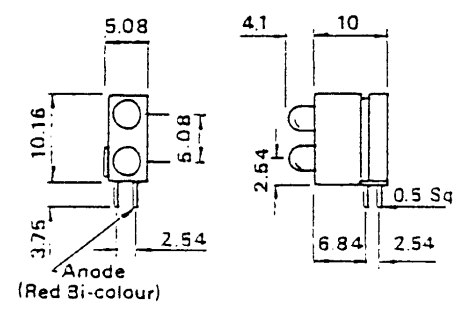
DIMENSIONS IN mm (TYPICAL) SCALE 1:1

ORDERING INFORMATION AND TECHNICAL CHARACTERISTICS (Ta = 25°C)

ORDER CODE	CLOUR	TYP FWD VOLTAGE Vf @ Iopr	FORWARD CURRENT Iopr	LUMINOUS INTENSITY Iv @ Iopr	WAVE LENGTH λp	VIEWING ANGLE 2θ1/2	OPERATING TEMP Topr	STORAGE TEMP Tstg
107 - 305 - 01	Red	1.8	2.0	1.5	650	30	- 40 to + 85	- 50 to + 100
107 - 311 - 01	Yellow	1.9	2.0	1.5	585			
107 - 314 - 01	Green	1.9	2.0	2.0	563			
264-362 107 - 305 - 04	Red	2.1	20	33	650			
107 - 311 - 04	Yellow	2.2	20	33	585	60	+ 85	+ 100
264-453 107 - 314 - 04	Green	2.2	20	47	563			
107 - 381 - 20	Red	5.0	10	8.0	635			
107 - 382 - 20	Yellow	5.0	10	8.0	590	50		
107 - 383 - 20	Green	5.0	10	8.0	555			
107 - 330 - 04	Red/Green Bi-Colour	2.0 2.2	20	12	655 565			
	Diffused	V	mA	mcd	nm	deg	°C	°C

Mean Time Between Failure 100,000 hours, Low Current Models 250,000 hours

122 Series Single 3 mm LED 4 Way 90° Mounting PCB Indicator



- DIN standard compatible
- Complements 3 and 8 way models
- Meets with UL94 V-O flammability rating
- Minimum line quantity 50

DIMENSIONS IN mm (TYPICAL) SCALE 1:1

ORDERING INFORMATION AND TECHNICAL CHARACTERISTICS (Ta = 25°C)

ORDER CODE	CLOUR	TYP FWD VOLTAGE Vf @ Iopr	FORWARD CURRENT Iopr	LUMINOUS INTENSITY Iv @ Iopr	WAVE LENGTH λp	VIEWING ANGLE 2θ1/2	OPERATING TEMP Topr	STORAGE TEMP Tstg
122 - 305 - 01	Red	1.8	2.0	1.5	650	30	- 40 to + 85	- 50 to + 100
122 - 311 - 01	Yellow	1.9	2.0	1.5	585			
122 - 314 - 01	Green	1.9	2.0	2.0	563			
264-401 122 - 305 - 04	Red	2.1	20	33	650			
122 - 311 - 04	Yellow	2.2	20	33	585	60	+ 85	+ 100
122 - 314 - 04	Green	2.2	20	47	563			
	Diffused	V	mA	mcd	nm	deg	°C	°C

Mean Time Between Failure 100,000 hours, Low Current Models 250,000 hours