

## FEATURES

- 2-Channel Ideal Diode ORing or Load Sharing
- Low Loss Replacement for ORing Diodes
- Low Forward ON Resistance (100mΩ Max at 3.6V)
- Low Reverse Leakage Current (1μA Max)
- Small Regulated Forward Voltage (28mV Typ)
- 2.5V to 5.5V Operating Range
- 2.6A Maximum Forward Current
- Internal Current Limit and Thermal Protection
- Slow Turn-Off to Protect Against Inductive Source Impedance-Induced Voltage Spiking
- Low Quiescent Current
- Status Output to Indicate if Selected Channel is Conducting
- Programmable Channel ON/OFF
- Low Profile (0.75mm) 10-Lead 3mm × 3mm DFN Package

## APPLICATIONS

- Battery and Wall Adapter Diode ORing in Handheld Products
- Backup Battery Diode ORing
- Power Switching
- USB Peripherals
- Uninterruptable Supplies

**LT**, LTC and LT are registered trademarks of Linear Technology Corporation. All other trademarks are the property of their respective owners.

## DESCRIPTION

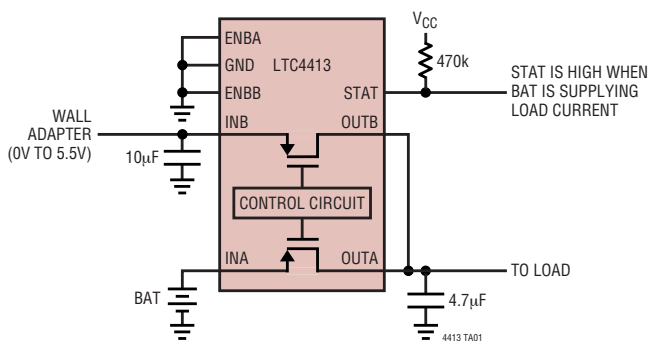
The LTC<sup>®</sup>4413 contains two monolithic ideal diodes, each capable of supplying up to 2.6A from input voltages between 2.5V and 5.5V. Each ideal diode uses a 100mΩ P-channel MOSFET that independently connects INA to OUTA and INB to OUTB. During normal forward operation the voltage drop across each of these diodes is regulated to as low as 28mV. Quiescent current is less than 40μA for diode currents up to 1A. If either of the output voltages exceeds its respective input voltages, that MOSFET is turned off and less than 1μA of reverse current will flow from OUT to IN. Maximum forward current in each MOSFET is limited to a constant 2.6A and internal thermal limiting circuits protect the part during fault conditions.

Two active-high control pins independently turn off the two ideal diodes contained within the LTC4413, controlling the operation mode as described by Table 3. When the selected channel is reverse biased, or the LTC4413 is put into low power standby, a status signal indicates this condition with a low voltage.

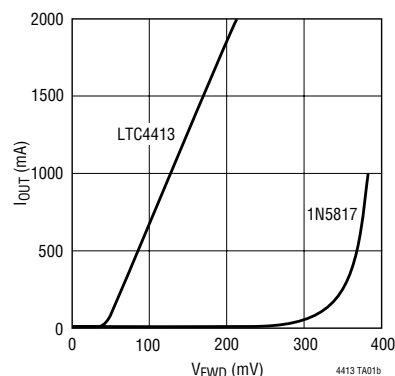
A 9μA open-drain STAT pin is used to indicate conduction status. When terminated to a positive supply through a 470k resistor, the STAT pin can be used to indicate that the selected diode is conducting with a HIGH voltage. This signal can also be used to drive an auxiliary P-channel MOSFET power switch to control a third alternate power source when the LTC4413 is not conducting forward current.

The LTC4413 is housed in a 10-lead DFN package.

## TYPICAL APPLICATION



LTC4413 vs 1N5817 Schottky



## ABSOLUTE MAXIMUM RATINGS

(Note 1)

INA, INB, OUTA, OUTB, STAT,	
ENBA, ENBB Voltage .....	-0.3V to 6V
Operating Temperature Range .....	-40°C to 85°C
Storage Temperature Range .....	-65°C to 125°C
Continuous Power Dissipation (Derate 25mW/°C Above 70°C) .....	1500mW

## PACKAGE/ORDER INFORMATION

<p>DD PACKAGE 10-LEAD (3mm × 3mm) PLASTIC DFN T<sub>JMAX</sub> = 125°C, θ<sub>JA</sub> = 40°C/W (4-LAYER PCB) EXPOSED PAD (PIN 11) IS GND MUST BE SOLDERED TO PCB</p>	ORDER PART NUMBER
	LTC4413EDD
	DD PART MARKING
	LBGN

Consult LTC Marketing for parts specified with wider operating temperature ranges.

## ELECTRICAL CHARACTERISTICS

The ● indicates specifications which apply over the full operating temperature range, otherwise specifications are at T<sub>A</sub> = 25°C. (Notes 2, 6)

SYMBOL	PARAMETER	CONDITIONS	MIN	TYP	MAX	UNITS
V <sub>IN</sub> , V <sub>OUT</sub>	Operating Supply Range for Channel A or B	V <sub>IN</sub> and/or V <sub>OUT</sub> Must be in This Range for Proper Operation	● 2.5		5.5	V
UVLO	UVLO Turn-On Rising Threshold	Max (V <sub>INA</sub> , V <sub>INB</sub> , V <sub>OUTA</sub> , V <sub>OUTB</sub> )	●		2.4	V
	UVLO Turn-Off Falling Threshold	Max (V <sub>INA</sub> , V <sub>INB</sub> , V <sub>OUTA</sub> , V <sub>OUTB</sub> )	● 1.7			V
I <sub>QF</sub>	Quiescent Current in Forward Regulation (Note 3)	V <sub>INA</sub> = 3.6V, I <sub>OUTA</sub> = -100mA, V <sub>INB</sub> = 0V, I <sub>OUTB</sub> = 0mA	●	25	30	μA
I <sub>LEAK</sub>	Current Drawn from or Sourced into IN when V <sub>OUT</sub> is Greater than V <sub>IN</sub>	V <sub>IN</sub> = 3.6V, V <sub>OUT</sub> = 5.5V (Note 6)	● -1	0.5	2	μA
I <sub>QRGND</sub>	Quiescent Current While in Reverse Turn-Off, Measured via GND	V <sub>INA</sub> , V <sub>INB</sub> , V <sub>OUTB</sub> < V <sub>OUTA</sub> = 5.5V, V <sub>STAT</sub> = 0V		22	30	μA
I <sub>QROUTA</sub>	Quiescent Current While in Reverse Turn-Off, Current Drawn from V <sub>OUTA</sub> when OUTA Supplies Chip Power	V <sub>INA</sub> , V <sub>INB</sub> , V <sub>OUTB</sub> < V <sub>OUTA</sub> = 5.5V	●	17	23	μA
I <sub>QROUTB</sub>	Quiescent Current While in Reverse Turn-Off, Current Drawn from V <sub>OUTA</sub> when OUTB Supplies Chip Power	V <sub>INA</sub> , V <sub>INB</sub> , V <sub>OUTA</sub> < V <sub>OUTB</sub> = 5.5V	●	2	3	μA
I <sub>QOFF</sub>	Quiescent Current with Both ENBA and ENBB High	V <sub>INA</sub> = V <sub>INB</sub> = 3.6V, V <sub>ENBA</sub> and V <sub>ENBB</sub> High, V <sub>STAT</sub> = 0V	●	20	27	μA
V <sub>RTO</sub>	Reverse Turn-Off Voltage (V <sub>OUT</sub> - V <sub>IN</sub> )	V <sub>IN</sub> = 3.6V		-5	10	mV
V <sub>FWD</sub>	Forward Voltage Drop (V <sub>IN</sub> - V <sub>OUT</sub> ) at I <sub>OUT</sub> = -1mA	V <sub>IN</sub> = 3.6V	●	28	38	mV
R <sub>FWD</sub>	On Resistance, R <sub>FWD</sub> Regulation (Measured as ΔV/ΔI)	V <sub>IN</sub> = 3.6V, I <sub>OUT</sub> = -100mA V <sub>IN</sub> = 3.6V, I <sub>OUT</sub> = -500mA (Note 5)			140 100	mΩ mΩ
R <sub>ON</sub>	On Resistance, R <sub>ON</sub> Regulation (Measured as V/I at I <sub>IN</sub> = 1A)	V <sub>IN</sub> = 3.6V, I <sub>OUT</sub> = -1.5A (Note 5)		140	200	mΩ
t <sub>OFF</sub>	PowerPath™ Turn-Off Time	V <sub>IN</sub> = 3.6V, I <sub>OUT</sub> = -100mA		4		μS

PowerPath is a trademark of Linear Technology Corporation.

## ELECTRICAL CHARACTERISTICS

The ● indicates specifications which apply over the full operating temperature range, otherwise specifications are at  $T_A = 25^\circ\text{C}$ . (Notes 2, 6)

SYMBOL	PARAMETER	CONDITIONS	MIN	TYP	MAX	UNITS	
<b>Short-Circuit Response</b>							
$I_{OC}$	Current Limit	$V_{INX} = 3.6\text{V}$ (Notes 4, 5)	1.8			A	
$I_{QOC}$	Quiescent Current While in Overcurrent Operation	$V_{INX} = 3.6\text{V}$ , $I_{OUT} = 1.9\text{A}$ (Notes 4, 5)		150	300	$\mu\text{A}$	
<b>STAT Output</b>							
$I_{SOFF}$	STAT Off Current	Shutdown	●	-1	0	1	$\mu\text{A}$
$I_{SON}$	STAT Sink Current	$V_{IN} > V_{OUT}$ , $V_{CTL} < V_{IL}$ , $I_{OUT} < I_{MAX}$		7	9	13	$\mu\text{A}$
$t_{S(ON)}$	STAT Pin Turn-On Time			1			$\mu\text{s}$
$t_{S(OFF)}$	STAT Pin Turn-Off Time			1			$\mu\text{s}$
<b>ENB Inputs</b>							
$V_{ENBIH}$	ENB Inputs Rising Threshold Voltage	$V_{ENB}$ Rising	●	540	600		mV
$V_{ENBIL}$	ENB Inputs Falling Threshold Voltage	$V_{ENB}$ Falling	●	400	460		mV
$V_{ENBHYST}$	ENB Inputs Hysteresis	$V_{ENBHYST} = (V_{ENBIH} - V_{ENBIL})$		90			mV
$I_{ENB}$	ENB Inputs Pull-Down Current	$V_{OUT} < V_{IN} = 3.6\text{V}$ , $V_{ENB} > V_{ENBIL}$	●	1.5	3	4.5	$\mu\text{A}$

**Note 1:** Absolute Maximum Ratings are those values beyond which the life of a device may be impaired.

**Note 2:** The LTC4413 is guaranteed to meet performance specifications from  $0^\circ\text{C}$  to  $70^\circ\text{C}$ . Specifications over the  $-40^\circ\text{C}$  to  $85^\circ\text{C}$  ambient operating temperature range are assured by design, characterization and correlation with statistical process controls.

**Note 3:** Quiescent current increases with diode current, refer to plot of  $I_{QF}$  vs  $I_{OUT}$ .

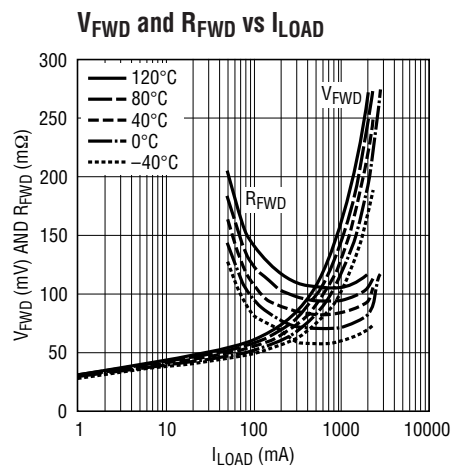
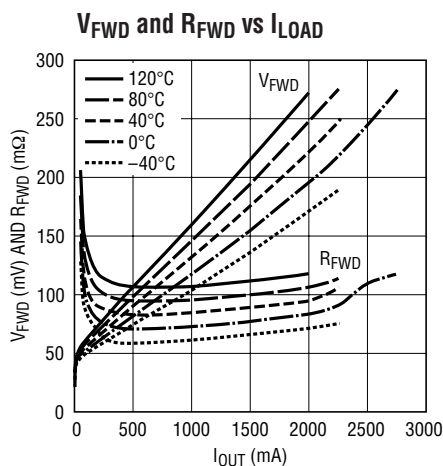
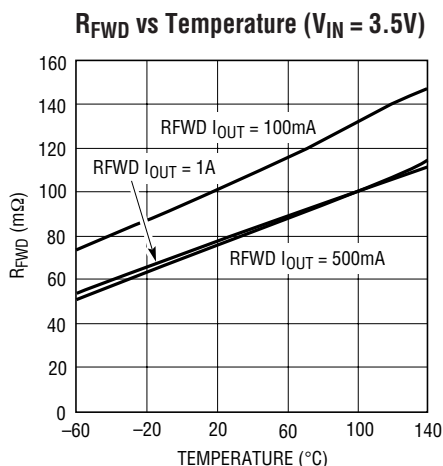
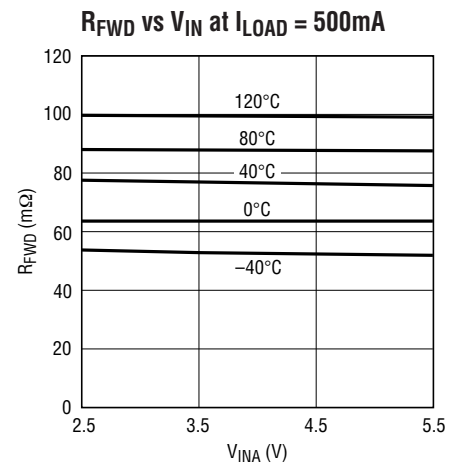
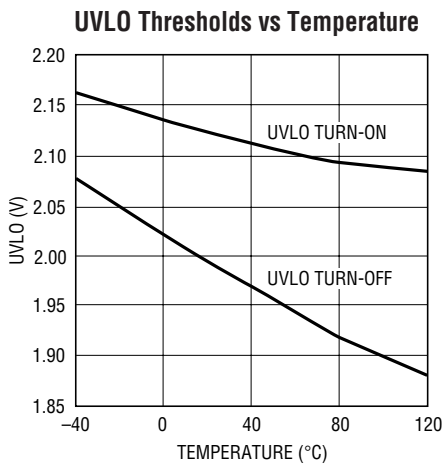
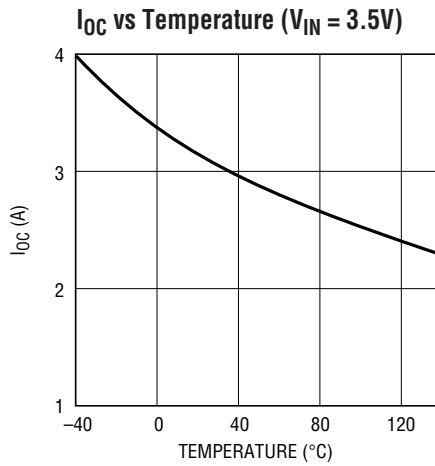
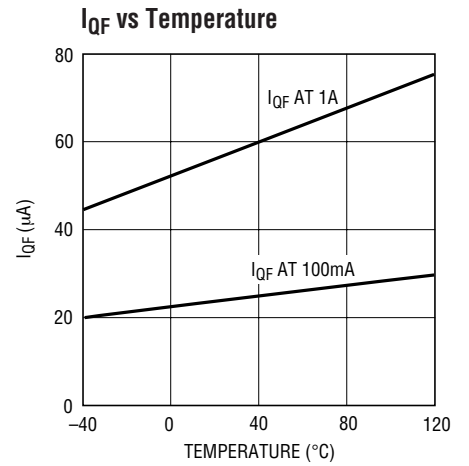
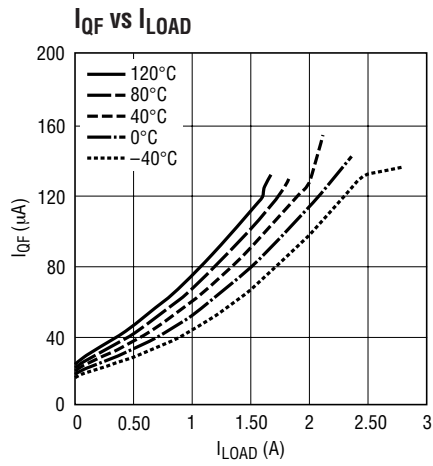
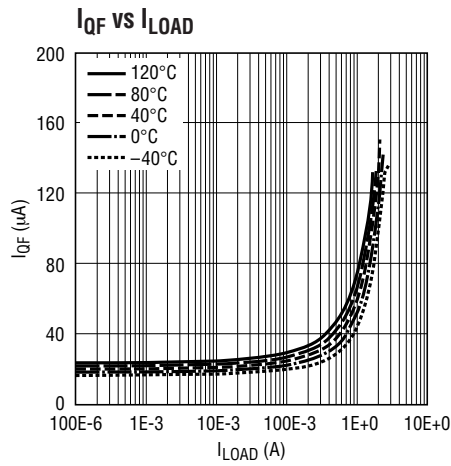
**Note 4:** This IC includes overtemperature protection that is intended to protect the device during momentary overload conditions.

Overtemperature protection will become active at a junction temperature greater than the maximum operating temperature. Continuous operation above the specified maximum operating junction temperature may impair device reliability.

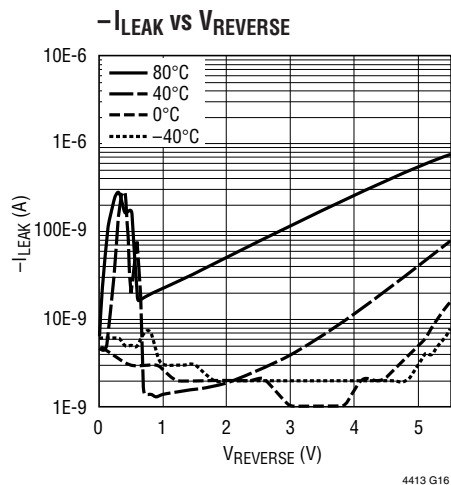
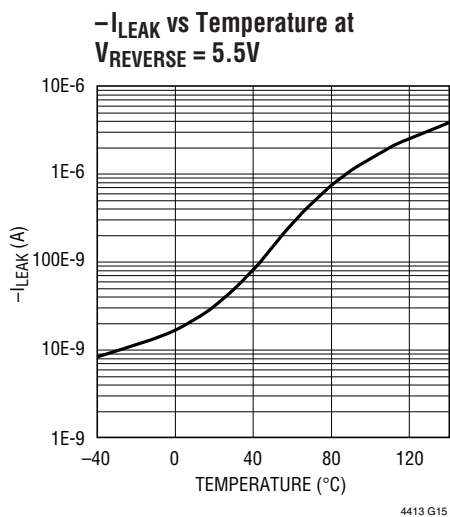
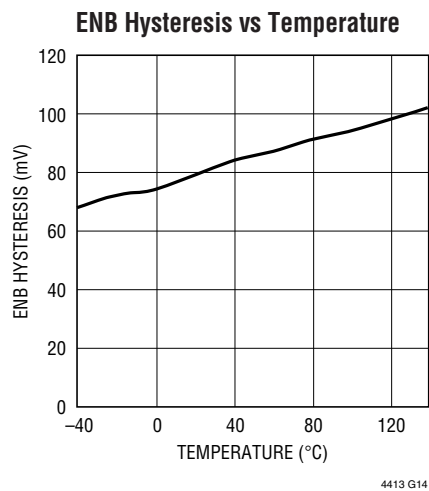
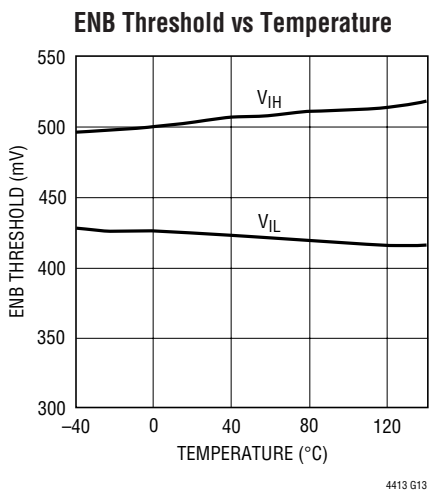
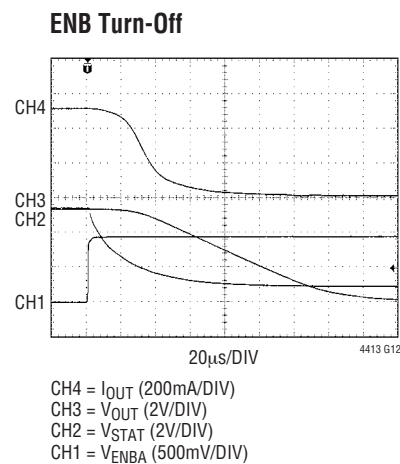
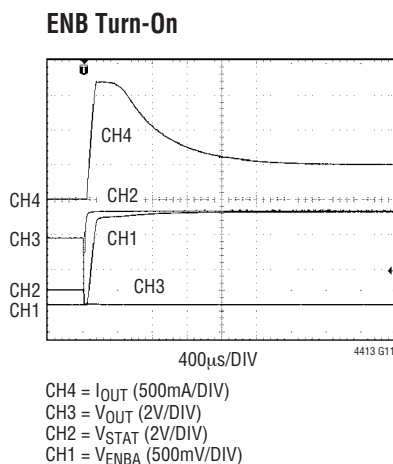
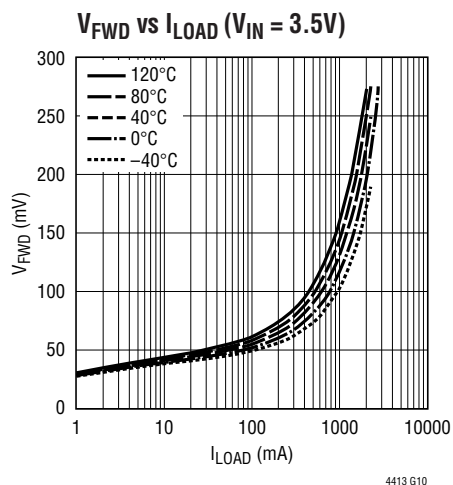
**Note 5:** This specification is guaranteed by correlation to wafer-level measurements.

**Note 6:** Unless otherwise specified, current into a pin is positive and current out of a pin is negative. All voltages referenced to GND.

# TYPICAL PERFORMANCE CHARACTERISTICS



# TYPICAL PERFORMANCE CHARACTERISTICS



## PIN FUNCTIONS

**INA (Pin 1):** Primary Ideal Diode Anode and Positive Power Supply. Bypass INA with a ceramic capacitor of at least 1 $\mu$ F. 1 $\Omega$  snub resistors in series with a capacitor and higher valued capacitances are recommended when large inductances are in series with this input. This pin can be grounded when not used.

**ENBA (Pin 2):** Enable Low for Diode A. Weak (3 $\mu$ A) pull-down. Pull this pin high to shut down this power path. Tie to GND to enable. Refer to Table 1 for mode control functionality. This pin can be left floating, weak pull-down internal to the LTC4413.

**GND (Pins 3, 11):** Power and Signal Ground for the IC. The Exposed Pad of the package, Pin 11, must be soldered to PCB ground to provide both electrical contact to ground and good thermal contact to the PCB.

**ENBB (Pin 4):** Enable Low for Diode B. Weak (3 $\mu$ A) pull-down. Pull this pin high to shut down this power path. Tie to GND to enable. Refer to Table 1 for mode control functionality. This pin can be left floating, weak pull-down internal to the LTC4413.

**INB (Pin 5):** Secondary Ideal Diode Anode and Positive Power Supply. Bypass INB with a ceramic capacitor of at least 1 $\mu$ F. 1 $\Omega$  snub resistors in series with a capacitor and higher valued capacitances are recommended when large inductances are in series with this input. This pin can be grounded when not used.

**OUTB (Pin 6):** Secondary Ideal Diode Cathode and Output. Bypass OUTB with a high (1m $\Omega$  min) ESR ceramic capacitor of at least 4.7 $\mu$ F. This pin must be left floating when not in use.

**NC (Pin 7):** No Internal Connection.

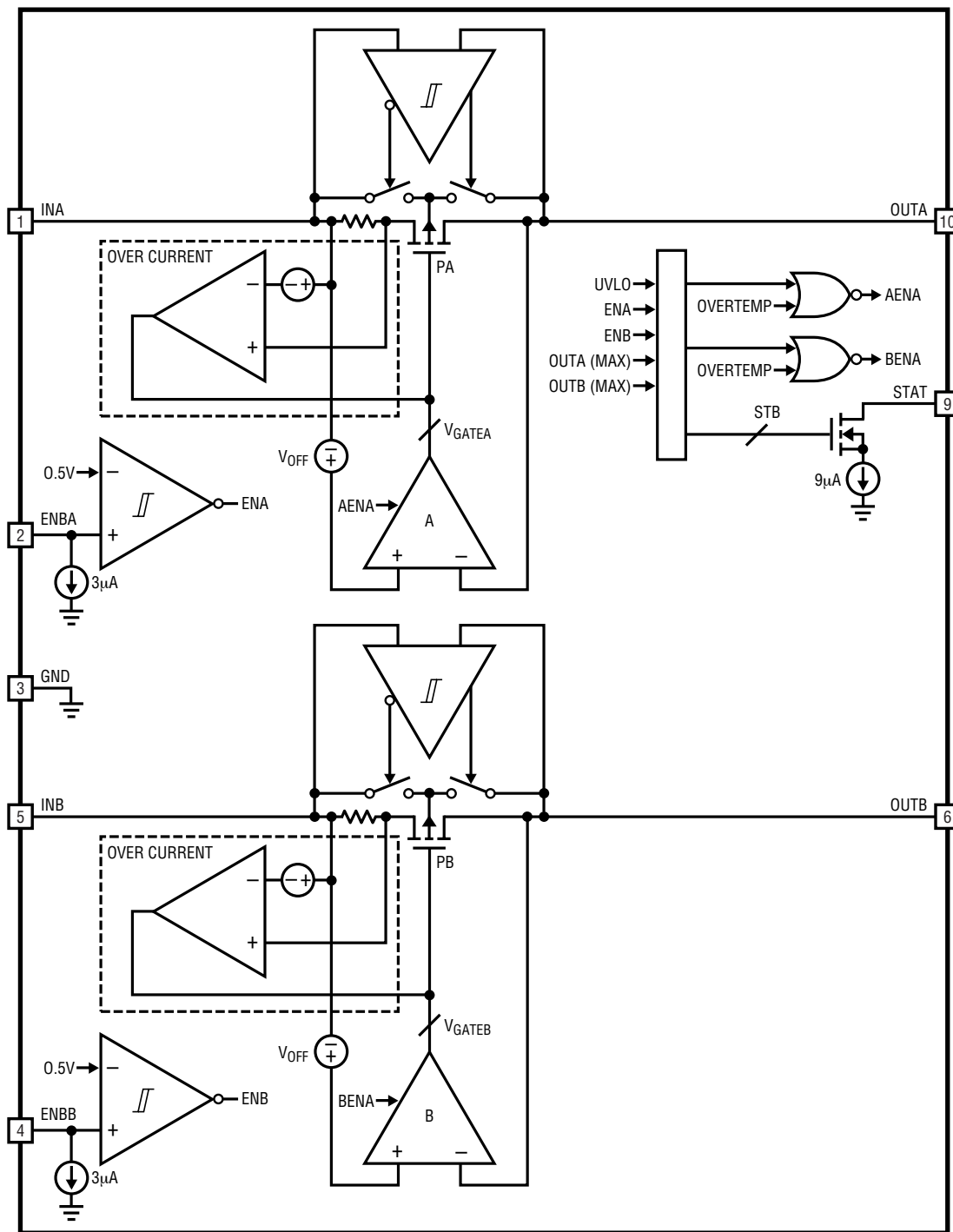
**NC (Pin 8):** No Internal Connection.

**STAT (Pin 9):** Status Condition Indicator. Weak (9 $\mu$ A) pull-down current output. When terminated, STAT = High indicates diode conducting.

The function of the STAT pin depends on the mode that has been selected. Table 2 describes the STAT pin output current as a function of the mode selected as well as the conduction state of the two diodes. This pin can also be left floating or grounded.

**OUTA (Pin 10):** Primary Ideal Diode Cathode and Output. Bypass OUTA with a high (1m $\Omega$  min) ESR ceramic capacitor of at least 4.7 $\mu$ F. This pin must be left floating when not in use.

# BLOCK DIAGRAM



4413 F01

Figure 1

## OPERATION

The LTC4413 is described with the aid of the Block Diagram (Figure 1). Operation begins when the power source at  $V_{INA}$  or  $V_{INB}$  rises above the undervoltage lockout (UVLO) voltage of 2.4V and either of the ENBA or ENBB control pins is low. If only the voltage at the  $V_{INA}$  pin is present, the power source to the LTC4413 ( $V_{DD}$ ) will be supplied from the  $V_{INA}$  pin. The amplifier (A) will pull a current proportional to the difference between  $V_{INA}$  and  $V_{OUTA}$  from the gate ( $V_{GATEA}$ ) of the internal PFET (PA), driving this gate voltage below  $V_{INA}$ . This will turn on PA. As  $V_{OUTA}$  is pulled up to a forward voltage drop ( $V_{FWD}$ ) of 20mV below  $V_{INA}$ , the LTC4413 will regulate  $V_{GATEA}$  to maintain the small forward voltage drop. The system is now in forward regulation and the load at  $V_{OUTA}$  will be powered from the supply at  $V_{INA}$ . As the load current varies,  $V_{GATEA}$  will be controlled to maintain  $V_{FWD}$  until the load current exceeds the transistor's (PA) ability to deliver the current as  $V_{GATEA}$  approaches GND. At this point the PFET will behave as a fixed resistor with resistance  $R_{ON}$ , whereby the forward voltage will increase slightly with increased load current. As the magnitude of  $I_{OUT}$  increases further (such that  $I_{LOAD} > I_{OC}$ ), the LTC4413 will fix the load current to the constant value  $I_{OC}$  to protect the device. The characteristics for parameters  $R_{FWD}$ ,  $R_{ON}$ ,  $V_{FWD}$  and  $I_{OC}$  are specified with the aid of Figure 2, illustrating the LTC4413 forward voltage drop versus that of a Schottky diode.

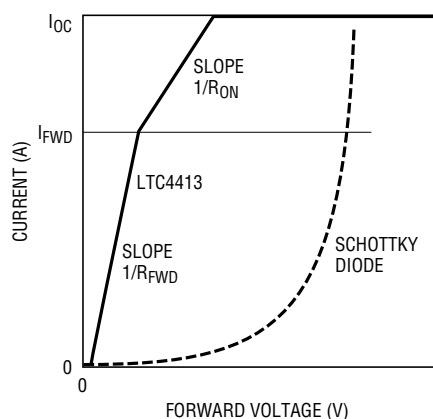


Figure 2

If another supply is provided at  $V_{INB}$ , the LTC4413 will likewise regulate the gate voltage on PB to maintain the output voltage  $V_{OUTB}$  just below the input voltage  $V_{INB}$ . If this alternate supply,  $V_{INB}$ , exceeds the voltage at  $V_{INA}$ , the LTC4413 will select this input voltage as the internal supply ( $V_{DD}$ ). This second ideal diode operates independently of the first ideal diode function.

When an alternate power source is connected to the load at  $V_{OUTA}$  (or  $V_{OUTB}$ ), the LTC4413 will sense the increased voltage at  $V_{OUTA}$  and amplifier A will increase the voltage  $V_{GATEA}$ , reducing the current through PA. When  $V_{OUTA}$  is higher than  $V_{INA} + V_{RTO}$ ,  $V_{GATEA}$  will be pulled up to  $V_{DD}$ , which will turn off PA. The internal power source for the LTC4413 ( $V_{DD}$ ) will then be diverted to source current from the  $V_{OUTA}$  pin, only if  $V_{OUTA}$  is larger than  $V_{INB}$  (or  $V_{OUTB}$ ). The system is now in the reverse turn-off mode. Power to the load is being delivered from an alternate supply and only a small current is drawn from  $V_{INA}$  to sense the potential at  $V_{INA}$ .

When the selected channel of the LTC4413 is in reverse turn-off mode or both channels are disabled, the STAT pin will sink 9 $\mu$ A of current ( $I_{SON}$ ) if connected.

Channel selection is accomplished using the two ENB pins, ENBA and ENBB. When the ENBA input is asserted (high), PA will have its gate voltage pulled to  $V_{DD}$  at a controlled rate, limiting the turn-off time to avoid voltage spiking at the input when being driven by an inductive source impedance. A 3 $\mu$ A pull-down current on the ENB pins will ensure a low level at these inputs if left floating.

### Overcurrent and Short-Circuit Protection

During an overcurrent condition, the output voltage will droop as the load current exceeds the amount of current that the LTC4413 can supply. At the time when an overcurrent condition is first detected, the LTC4413 will take some time to detect this condition before reducing the current to  $I_{MAX}$ . For short durations after the output is shorted, the current may exceed  $I_{MAX}$ . The magnitude of this peak short-circuit current can be large, depending on the load current immediately before the short circuit



## OPERATION

occurs. During overcurrent operation, the power consumption of the LTC4413 will be large, and is likely to cause an overtemperature condition as the internal die temperature exceeds the thermal shutdown temperature.

### Overtemperature Protection

The overtemperature condition is detected when the internal die temperature increases beyond 150°C. An overtemperature condition will cause the gate amplifiers (A and B) as well as the two P-channel MOSFETs (PA and PB) to be shut off. When the internal die temperature cools to below 140°C, the amplifiers will turn on and revert to normal operation. Note that prolonged operation under overtemperature conditions will degrade reliability.

### Channel Selection and Status Output

Two active-high control pins independently turn off the two ideal diodes contained within the LTC4413, controlling the operation mode as described by Table 1. When the selected channel is reverse biased, or the LTC4413 is put into low power standby, the status signal indicates this condition with a low voltage.

**Table 1. Mode Control**

ENB1	ENB2	STATE
Low	Low	Diode OR (NB: The Two Outputs are Not Connected Internal to the Device)
Low	High	Diode A = Enabled, Diode B = Disabled
High	Low	Diode A = Disabled, Diode B = Enabled
High	High	All Off (Low Power Standby)

The function of the STAT pin depends on the mode that has been selected. The following table describes the STAT pin output current as a function of the mode selected, as well as the conduction state of the two diodes.

**Table 2. STAT Output Pin Function**

ENB1	ENB2	CONDITIONS	STAT
Low	Low	Diode A Forward Bias, Diode B Forward Bias	$I_{SNK} = 0\mu A$
		Diode A Forward Bias, Diode B Reverse Bias	$I_{SNK} = 0\mu A$
		Diode A Reverse Bias, Diode B Forward Bias	$I_{SNK} = 9\mu A$
		Diode A Reverse Bias, Diode B Reverse Bias	$I_{SNK} = 9\mu A$
Low	High	Diode A Forward Bias, Diode B Disabled	$I_{SNK} = 0\mu A$
		Diode A Reverse Bias, Diode B Disabled	$I_{SNK} = 9\mu A$
High	Low	Diode A Disabled, Diode B Forward Bias	$I_{SNK} = 0\mu A$
		Diode A Disabled, Diode B Reverse Bias	$I_{SNK} = 9\mu A$
High	High	Diode A Disabled, Diode B Disabled	$I_{SNK} = 9\mu A$

## APPLICATIONS INFORMATION

### Introduction

The LTC4413 is intended for power control applications that include low loss diode ORing, fully automatic switchover from a primary to an auxiliary source of power, microcontroller controlled switchover from a primary to an auxiliary source of power, load sharing between two or more batteries, charging of multiple batteries from a single charger and high side power switching.

### Dual Battery Load Sharing with Automatic Switchover to a Wall Adapter

An application circuit for dual battery load sharing with automatic switchover of load from batteries to a wall adapter is shown in Figure 3. When the wall adapter is not present, whichever battery that has the higher voltage will provide the load current until it has discharged to the voltage of the other battery. The load will then be shared between the two batteries according to the capacity of each battery. The higher capacity battery will provide proportionally higher

## APPLICATIONS INFORMATION

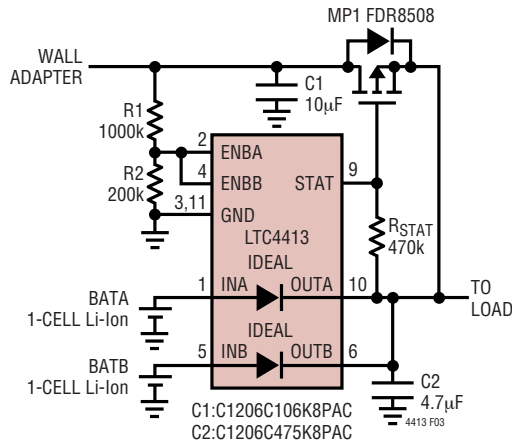


Figure 3

current to the load. When a wall adapter input is applied, the voltage divider formed by R1 and R2 will disable the LTC4413, causing the STAT pin voltage to fall, turning on MP1. At this point the load will be powered by the wall adapter and both batteries may be removed without interrupting the load voltage. When the wall adapter is removed, the output voltage will droop until the voltage divider turns on the LTC4413, at which point the batteries will revert to providing load power. The status signal can also be used to provide information as to whether the wall adapter (or BATB) is supplying the load current.

### Automatic PowerPath Control

Figure 4 illustrates an application circuit for microcontroller monitoring and control of two power sources. The

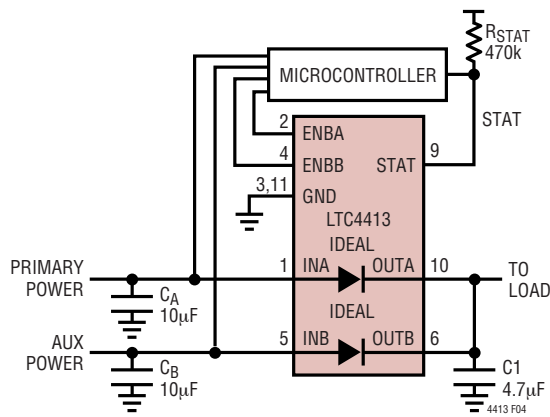


Figure 4

microcontroller's analog inputs (perhaps with the aid of a resistor voltage divider) monitors each supply input and the LTC4413 status, and then commands the LTC4413 through the two ENBA/ENBB control inputs.

### Automatic Switchover from a Battery to an Auxiliary Supply or a Wall Adapter

Figure 5 illustrates an application for implementing the function of automatic switchover from a battery to either an auxiliary supply or to a wall adapter using the LTC4413. The LTC4413 automatically senses the presence of a wall adapter as the ENBB pin voltage is pulled higher than its rising turn-off threshold of 550mV through resistive divider (R4 and R5). This disables the AUX input from powering the load. If the AUX is not present when a wall adapter is attached (i.e., the BAT is supplying load current), as the wall adapter voltage rises, the body diode in MP1 will forward bias, pulling the output voltage above the BAT voltage. The LTC4413 will sense a reverse voltage of as little as 10mV and turn off the ideal diode between INA and OUTA. This will cause the STAT voltage to fall, turning on MP1. The load will then draw current from the wall adapter, and the battery will be disconnected from the load. If the AUX is not present when the wall adapter is removed, the load voltage will droop until the BAT voltage exceeds the load voltage. The LTC4413 will sense that the BAT voltage is greater, causing the STAT voltage to rise, disabling MP1; the BAT will then provide power to the load.

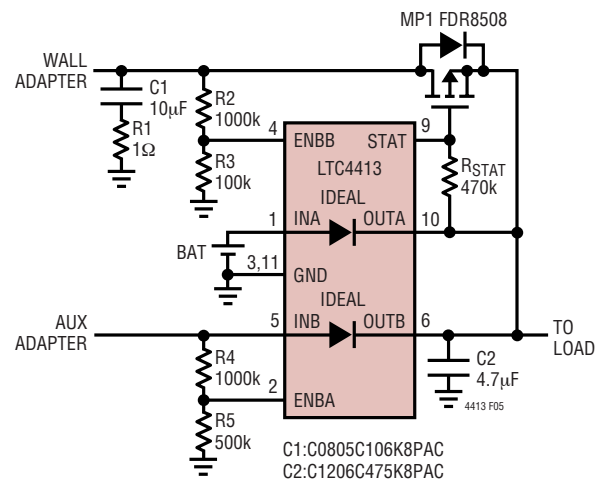


Figure 5

## APPLICATIONS INFORMATION

If the AUX is present when a wall adapter is applied, as the resistive divider to ENBB rises through the turn-off threshold, the STAT pin will fall and MP1 will conduct allowing the wall adapter to power the load. When the wall adapter is removed while the AUX supply is present, the load voltage will fall until the voltage divider at the ENBB pin falls through its turn-on threshold. Once this occurs, the LTC4413 will automatically connect the AUX supply to the load when the AUX voltage exceeds the output voltage, causing the STAT voltage to rise and disabling the external PFET.

When an AUX supply is attached, the voltage divider at ENBA will disconnect the battery from the load, and the auxiliary supply will provide load current, unless a wall adapter is present as described earlier. If the auxiliary supply is removed, the battery may again power the load, depending on if a wall adapter is present.

### Multiple Battery Charging

Figure 6 illustrates an application circuit for automatic dual battery charging from a single charger. Whichever battery has the lower voltage will receive the larger charging

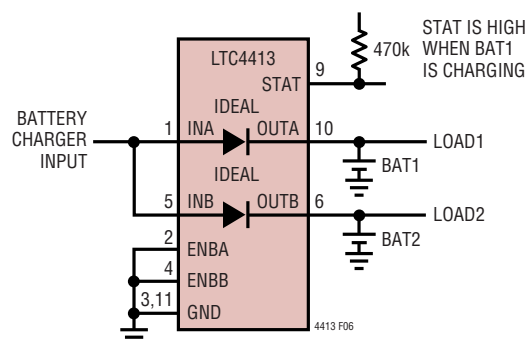


Figure 6

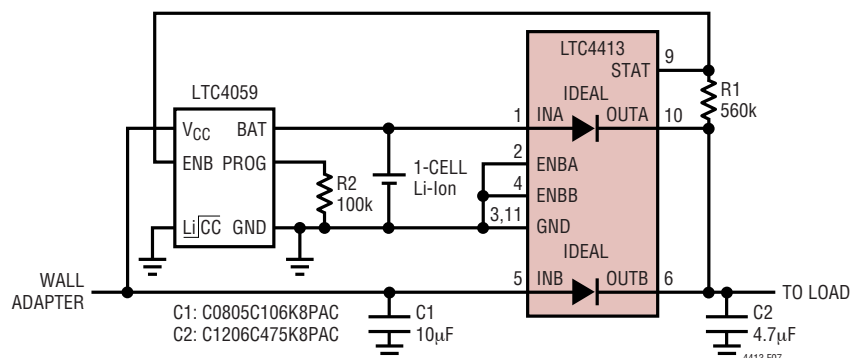


Figure 7

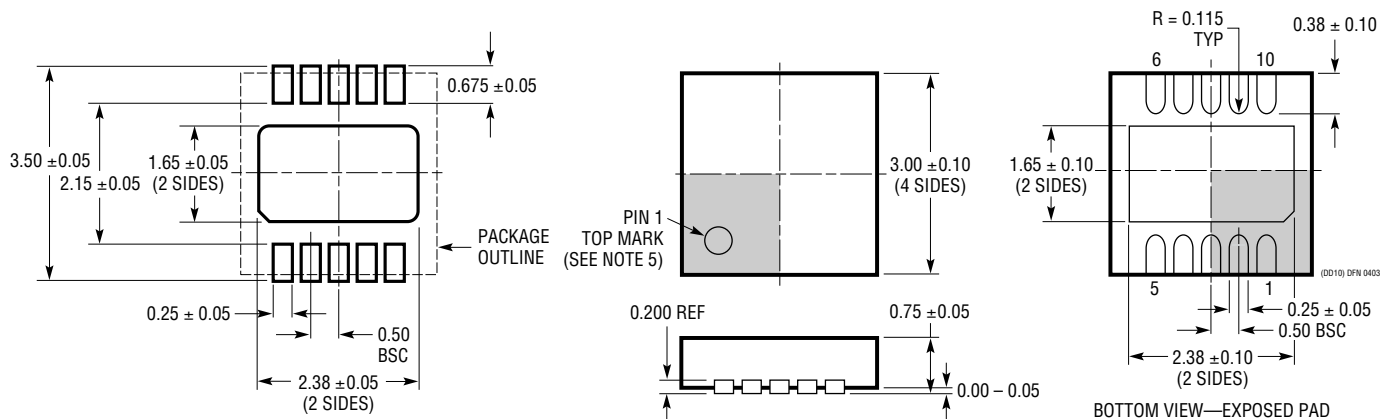
current until both battery voltages are equal, then both will be charged. While both batteries are charging simultaneously, the higher capacity battery will get proportionally higher current from the charger. For Li-Ion batteries, both batteries will achieve the float voltage minus the forward regulation voltage of 20mV. This concept can apply to more than two batteries. The STAT pin provides information as to when battery 1 is being charged. For intelligent control, the ENBA/ENBB pin inputs can be used with a microcontroller as shown in Figure 4.

### Automatic Switchover from a Battery to a Wall Adapter and Charger

Figure 7 illustrates the LTC4413 performing the function of automatically switching a load over from a battery to a wall adapter while controlling an LTC4059 battery charger. When no wall adapter is present, the LTC4413 connects the load at OUTA from the Li-Ion battery at INA. In this condition, the STAT voltage will be high, thereby disabling the battery charger. If a wall adapter of a higher voltage than the battery is connected to INB, the load voltage will rise as the second ideal diode conducts. As soon as the OUTA voltage exceeds INA voltage, the BAT will be disconnected from the load and the STAT voltage will fall, turning on the LTC4059 battery charger and beginning a charge cycle. If the wall adapter is removed, the voltage at INB will collapse until it is below the load voltage. When this occurs, the LTC4413 will automatically reconnect the battery to the load and the STAT voltage will rise, disabling the LTC4059 battery charger. One major benefit of this circuit is that when a wall adapter is present, the user may remove the battery and replace it without disrupting the load.

## PACKAGE DESCRIPTION

### DD Package 10-Lead Plastic DFN (3mm × 3mm) (Reference LTC DWG # 05-08-1699)



#### RECOMMENDED SOLDER PAD PITCH AND DIMENSIONS

#### NOTE:

- DRAWING TO BE MADE A JEDEC PACKAGE OUTLINE M0-229 VARIATION OF (WEED-2). CHECK THE LTC WEBSITE DATA SHEET FOR CURRENT STATUS OF VARIATION ASSIGNMENT
- ALL DIMENSIONS ARE IN MILLIMETERS
- DIMENSIONS OF EXPOSED PAD ON BOTTOM OF PACKAGE DO NOT INCLUDE MOLD FLASH. MOLD FLASH, IF PRESENT, SHALL NOT EXCEED 0.15mm ON ANY SIDE
- EXPOSED PAD SHALL BE SOLDER PLATED
- SHADED AREA IS ONLY A REFERENCE FOR PIN 1 LOCATION ON THE TOP AND BOTTOM OF PACKAGE

## RELATED PARTS

PART NUMBER	DESCRIPTION	COMMENTS
LTC1558/LTC1559	Backup Battery Controller with Programmable Output	Adjustable Backup Voltage from 1.2V NiCd Button Cell, Includes Boost Converter
LTC1998	2.5µA, 1% Accurate Programmable Battery Detector	Adjustable Trip Voltage/Hysteresis, ThinSOT™
LTC4054	800mA Standalone Linear Li-Ion Battery Charger with Thermal Regulation in ThinSOT	No External MOSFET, Sense Resistor or Blocking Diode Required, Charge Current Monitor for Gas Gauging, C/10 Charge Termination
LTC4055	USB Power Controller and Li-Ion Charger	Automatic Switchover, Charges 1-Cell Li-Ion Batteries
LTC4350	Hot Swappable Load Share Controller	Allows N + 1 Redundant Supply, Equally Loads Multiple Power Supplies Connected in Parallel
LTC4351	MOSFET Diode-OR Controller	1.2V to 18V Input, Internal Boost Regulator for Driving N-Channel MOSFET
LTC4411	2.6A Low Loss Ideal Diode in ThinSOT	No External MOSFET, Automatic Switching Between DC Sources, Simplified Load Sharing
LTC4412/LTC4412HV	PowerPath Controllers in ThinSOT	More Efficient than Diode ORing, Automatic Switching Between DC Sources, Simplified Load Sharing, 3V ≤ V <sub>IN</sub> ≤ 28V (3V ≤ V <sub>IN</sub> ≤ 36V for HV)

ThinSOT is a trademark of Linear Technology Corporation.