

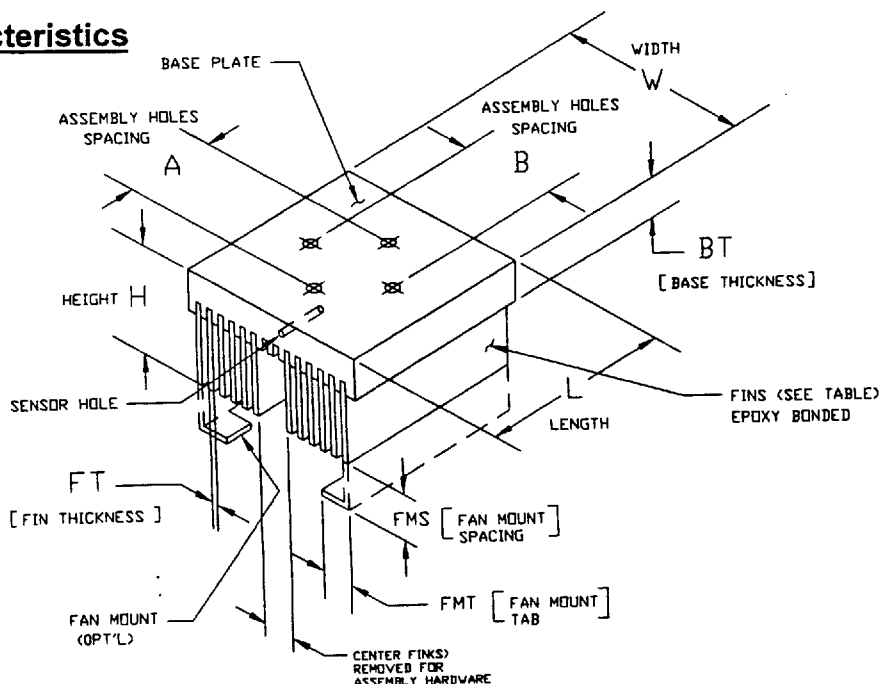
## Finned Heat Exchangers

The Melcor Coordinated Components finned heat exchangers are designed specifically for our CP series of thermoelectric coolers (TECs). Each finned heat exchanger is a part of a series of matching components designed to work together as a complete thermoelectric system.

### Some of the features of the Finned Heat Exchangers

- High fin density (up to 8 fins/inch)
- Optional fan mount bracket
- Lapped finish or copper plated
- Sensor hole for temperature monitoring  
0.062" (1.58mm) diameter, 0.75" (19mm) deep
- Tapped and clearance assembly holes  
Metric M3 and English 6-32

### Mechanical Characteristics



### Dimensions

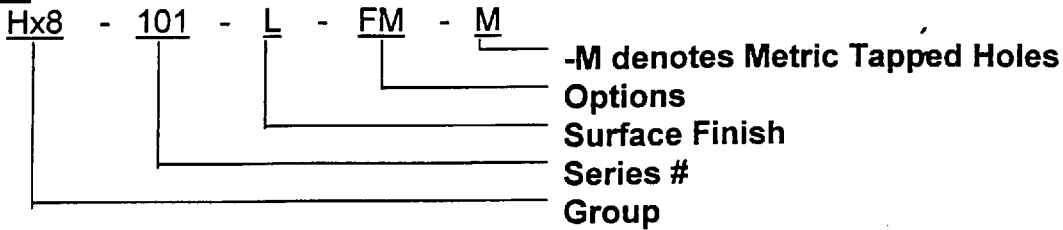
Model	Dimensions						Assembly Holes	
	W Width		L Length		H Height		A Type	B Type
	Inch	mm	Inch	mm	Inch	mm		
HX8-101	2.0	51	2.0	51	1.25	32	Tapped	Tapped
HX8-201	3.0	76	3.0	76	1.25	32	Clearance	Tapped
HX8-202	4.0	102	4.0	102	1.25	32	Clearance	Tapped
HX6-201	3.0	76	3.0	76	1.25	32	Clearance	Tapped
HX6-202	4.0	102	4.0	102	1.25	32	Clearance	Tapped
HX5-301	6.0	152	6.0	152	2.9	74	Clearance	Tapped

**"USES FOR THERMOELECTRIC COOLING ARE AS LIMITLESS AS THE IMAGINATION"**  
1040 Spruce Street \* Trenton, NJ 08648 \* USA \* 609-393-4178 \* Fax: 609-393-9461



# Finned Heat Exchangers

## Model(s)



Group	F Fins/inch	BT Base Thickness	FT Fin Thickness	FMT Fan Mount Tab	FMS Fan Mount Spacing
Hx8	8	0.34" (8.6mm)	0.032" (0.8mm)	0.38" (9.6mm)	0.38" (9.6mm)
Hx6	6	0.32" (8.1mm)	0.032" (0.8mm)	0.38" (9.6mm)	0.38" (9.6mm)
Hx5	5.5	0.50" (12.7mm)	0.050" (1.3mm)	0.38" (9.6mm)	0.38" (9.6mm)

Series #	Assembly Hole Spacing A&B	TEC size
-100	1.5" (38mm) O.C.	up to 1.17" (30mm)
-200	2.0" (51mm) O.C.	up to 1.57" (40mm)
-300	3.0" (76mm) O.C.	up to 2.44" (62mm)

Surface Finish	Description
L	Lapped Flat
Cu	Copper Plated (Hx8 & Hx6 only)

Options	Description
(blank)	No Fan Mount
FM	Fan Mount

## Performance Data

Heat Exchanger "FM" Models	Thermal Resistance °C/Watt	
HX8-101	0.61	@ 6.7CFM
HX8-201	0.34	@ 18CFM
HX8-202	0.18	@ 45CFM
HX6-201	0.39	@ 18CFM
HX6-202	0.20	@ 45CFM
HX5-301	0.07	@ 102CFM

"USES FOR THERMOELECTRIC COOLING ARE AS LIMITLESS AS THE IMAGINATION"  
1040 Spruce Street \* Trenton, NJ 08648 \* USA \* 609-393-4178 \* Fax: 609-393-9461