

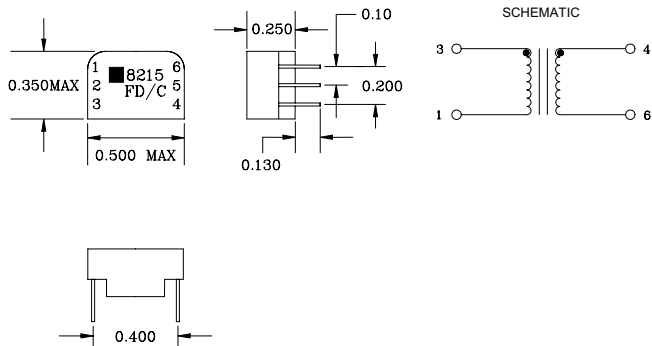
T3/DS3/E3/STS-1 Input/Output Transformers 8215



- Models matched to leading transceiver IC's
- Return Loss requirements of G.703 exceeded
- 1500 Vrms isolation per UL1459 and UL 1950
- Extended operating temperature range of -40°C to +85°C



MECHANICAL (All dimensions in inches)



ELECTRICAL SPECIFICATION @ 25°C

Turns Ratio (±2%)	OCL Primary @ 25°C (μH MIN)	OCL Primary @ -40°C (μH MIN)	L <sub>p</sub> (μH MAX)	C <sub>in</sub> (pF MAX)	Bandwidth (MHz TYP)	Isolation Voltage (Vrms MIN)	Primary Pins
1:1	100	40	0.110	10	0.200 - 340	1500	1-3

ISSUE A 30/10/01 8215

