



Micro Commercial Components  
21201 Itasca Street Chatsworth  
CA 91311  
Phone: (818) 701-4933  
Fax: (818) 701-4939

# SL03 THRU SL24

## Features

- SOT-23 Package For surface mount application
- Protects 3.0/3.3 up through 24V Components
- Protects 1 Unidirectional line
- Provides electrically isolated protection
- Tape & Reel EIA Standard 481.

## Mechanical Data

- Molded: SOT-23 Surface Mount
- Body marked with device number.
- Mounting Position: Any
- Weight: 0.14 grams (approx.)

## MAXIMUM RATINGS

- Operating Temperature: -55°C to +150°C
- Storage Temperature: -55°C to +150°C
- SL03 thru SL24 have a Peak Pulse Power: 300 Watts (8/20 usec, Figure 1)
- Pulse Repetition Rate: <.01%

## Description

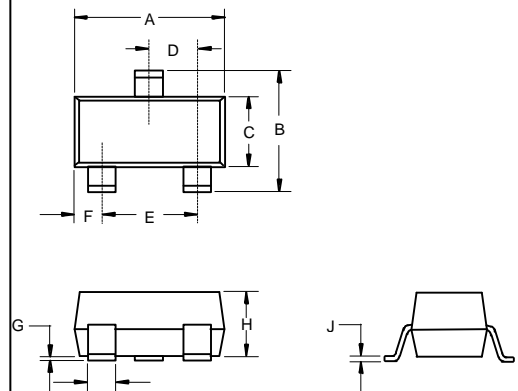
This product provides unidirectional protection for 1 line by connecting the input/output line to pin 1, pin 2 to common or ground and pin 3 (is not connected).

The SL03 thru SL24 product provides board level protection from static electricity and other induced-voltage surges that can damage sensitive circuitry.

These TRANSIENT VOLTAGE SUPPRESSOR (TVS) Diode Arrays protect 3.0/3.3 Volt components such as DRAM's, SRAM's, COMS, HCOMS, HSIC, and low volt. interfaces up to 24 volts. Because of the physical size, weight and protection capabilities, this product is ideal for use in but not limited to miniaturized electronic equipment such as hand held instruments, computers, computer peripherals and cell phones.

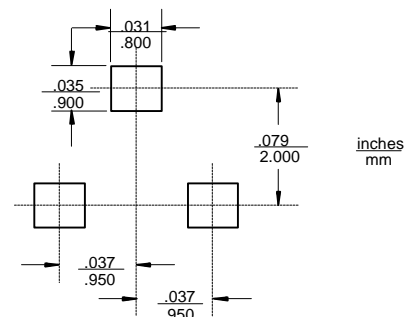
## Transient Voltage Suppressor 300 Watt

### SOT-23



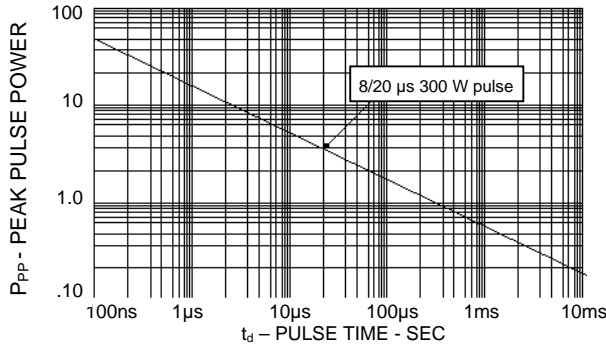
DIM	INCHES		MM		NOTE
	MIN	MAX	MIN	MAX	
A	.110	.120	2.80	3.04	
B	.083	.098	2.10	2.64	
C	.047	.055	1.20	1.40	
D	.035	.041	.89	1.03	
E	.070	.081	1.78	2.05	
F	.018	.024	.45	.60	
G	.0005	.0039	.013	.100	
H	.035	.044	.89	1.12	
J	.003	.007	.085	.180	
K	.015	.020	.37	.51	

### Suggested Solder Pad Layout

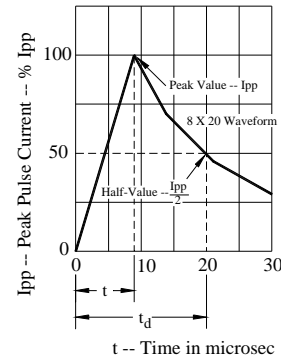


# SL03 thru SL24

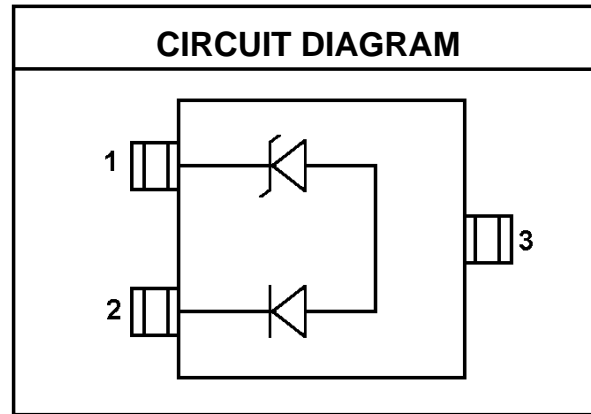
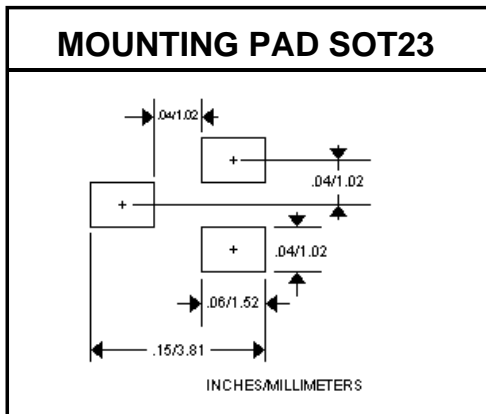
## WAVE FORMS



**FIGURE 1**  
Peak Pulse Power Vs Pulse Time



**FIGURE 2**  
Pulse Wave Form



### ELECTRICAL CHARACTERISTICS @ 25°C Unless otherwise specified

PART NUMBER	DEVICE MARKING	STAND OFF VOLTAGE $V_{WM}$	BREAKDOWN VOLTAGE $V_{BR}$ @ 1 mA	CLAMPING VOLTAGE $V_C$ @ 1 Amp (FIGURE 2)	CLAMPING VOLTAGE $V_C$ @ 5 Amp (FIGURE 2)	LEAKAGE CURRENT $I_D$ @ $V_{WM}$	CAPACITANCE @ 0V, 1 MHz	TEMPERATURE COEFFICIENT OF $V_{BR}$
		VOLTS	VOLTS	VOLTS	VOLTS	$\mu A$	pF	mV/°C
			MIN	MAX	MAX	MAX	MAX	MAX
SL03	L03	3.3	4	8	11	200	3	-5
SL05	L05	5.0	6.0	10.8	13	100	3	3
SL12	L12	12.0	13.3	19	26	1	3	10
SL15	L15	15.0	16.7	25	32	1	3	13
SL24	L24	24.0	26.7	44	57	1	3	30

**NOTE:** Transient Voltage Suppression (TVS) product is normally selected based on its stand off Voltage  $V_{WM}$ . Product selected voltage should be equal to or greater than the continuous peak operating voltage of the circuit to be protected.