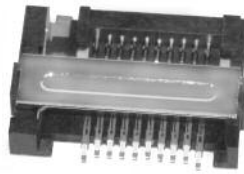
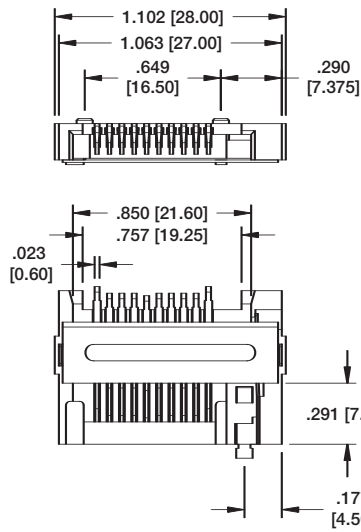
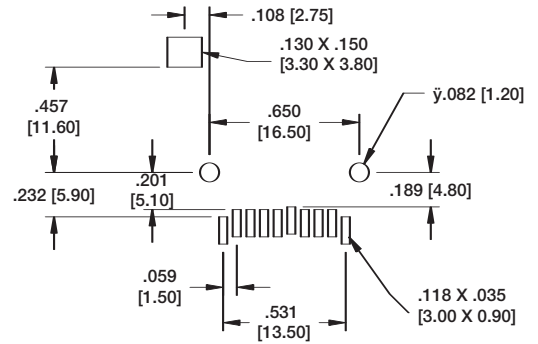
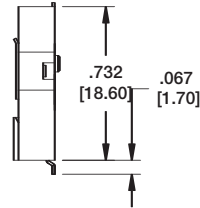


MEMORY STICK

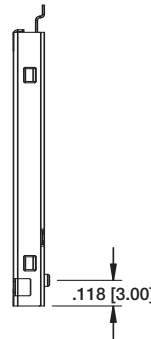
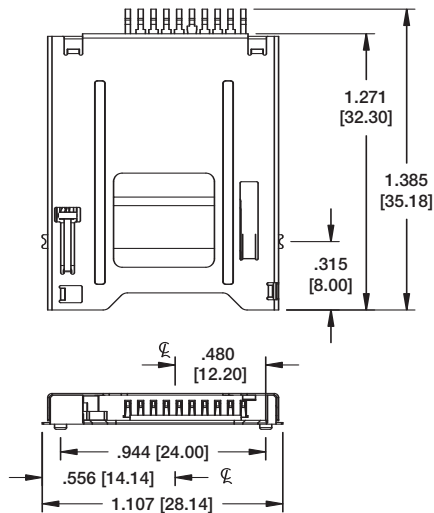


MS-10-A-SG



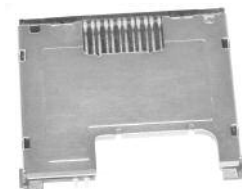
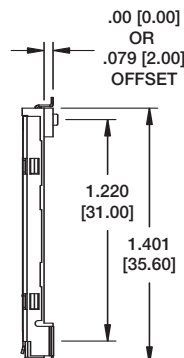
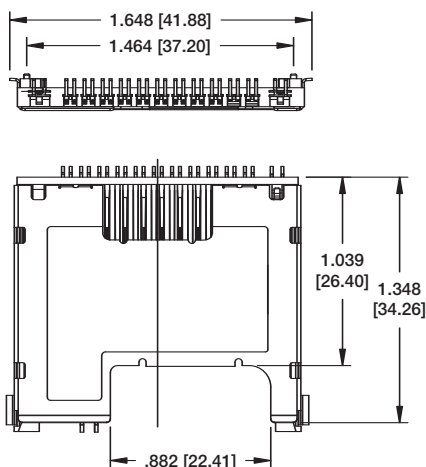
Recommended PCB Layout

MEMORY STICK PUSH PUSH TYPE



MSP-10-A-SG

SMART MEDIA SOCKET



SME-22-A-0 (Normal Type)
SME-22-A-1 (Normal Type with 2.0mm Standoff)