

Preliminary

Helping Customers Innovate, Improve & Grow



VX-990

Features

- Ultra low Phase Noise
- Ultra low G-Sensitivity
- Vibration hardened
- Tight Tolerances

Applications

- Vibration Environment
- Airborne and Military Equipment
- Portable Equipment
- Radar

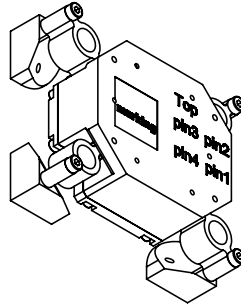
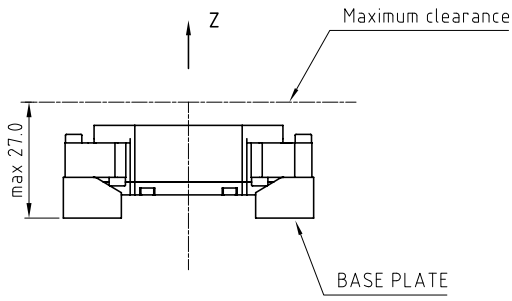
Performance Specifications

Frequency Stabilities ¹ (Frequency Range - 60 to 120 MHz)						
Parameter	Min	Typical	Max	Units	Condition	Options ³
vs. operating temperature range (referenced to nominal frequency)	-15.0 -25.0		+15.0 +25.0	ppm ppm	-20 to +70°C -40 to +85°C	
Initial tolerance	-15.0		+15.0	ppm	25°C	
vs. supply voltage change	-0.1		+0.1	ppm	$V_s \pm 5\%$ static	
vs. load change	-0.1		+0.1	ppm	Load $\pm 10\%$ static	
vs. aging / 1 year	-1.0		+1.0	ppm	after 30 days of operation	
vs. aging / 10 years	-3.0		+3.0	ppm	after 30 days of operation	

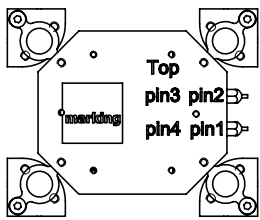
Performance Specifications

Supply Voltage (Vs)						
Parameter	Min	Typical	Max	Units	Condition	
Supply voltage (standard)	14.25	15	15.75	VDC		
Current consumption			100	mA		
RF Output						
Signal [standard]	Sinewave				50 Ω load	
Load	45	50	55	Ohm		
Output Power	11	13	15	dBm	50 Ω load	
Harmonics			-30	dBc	50 Ω load	
Spurious			-80	dBc	50 Ω load	
Frequency Tuning (EFC)						
Absolute Pulling Range	±0.0			ppm	Pulling range is sufficient to tune the oscillator over lifetime of 10 years and all circumstances to nominal frequency	
Linearity	<10%					
Tuning Slope	Positive					
Control Voltage Range	-4	0	+4	VDC	@ Vs=15V	
Frequency control input impedance	50			kOhm		
Additional Parameters						
Phase Noise ²		-90 -127 -153 -167 -173 -175		dBc/Hz dBc/Hz dBc/Hz dBc/Hz dBc/Hz dBc/Hz	10 Hz 100 Hz 1 kHz 10 kHz 100 kHz 1000 kHz	@ 120 MHz 13 dBm sinewave no vibration
Weight		35	50	g		
Processing & Packing	Handling & Processing Note					
Additional Environmental Conditions						
Random Vibration	RTCA/DO-160 D, Section 8, Category R or R2 curve C and C1					
Shock	MIL-STD-202G; Method 213B; 15 g / 20 ms				for softest shock absorber i.e. lowest resonance frequency	
Absolute Maximum Ratings						
supply voltage (Vs)			16.0	V		
Output Load	45		55	Ω		
Operable Temperature Range	-40		+85	°C		
Storage Temperature Range	-55		+105	°C		

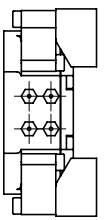
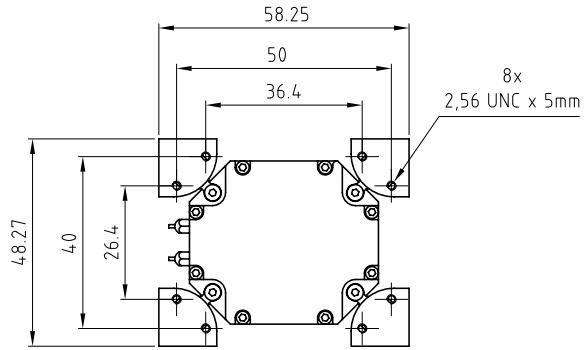
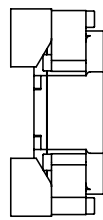
Outline Drawing / Enclosure



Pin Connections	
1	Control Voltage Input (Vc)
2	Supply Voltage (Vs)
3	RF-Output
4	Ground (Case)



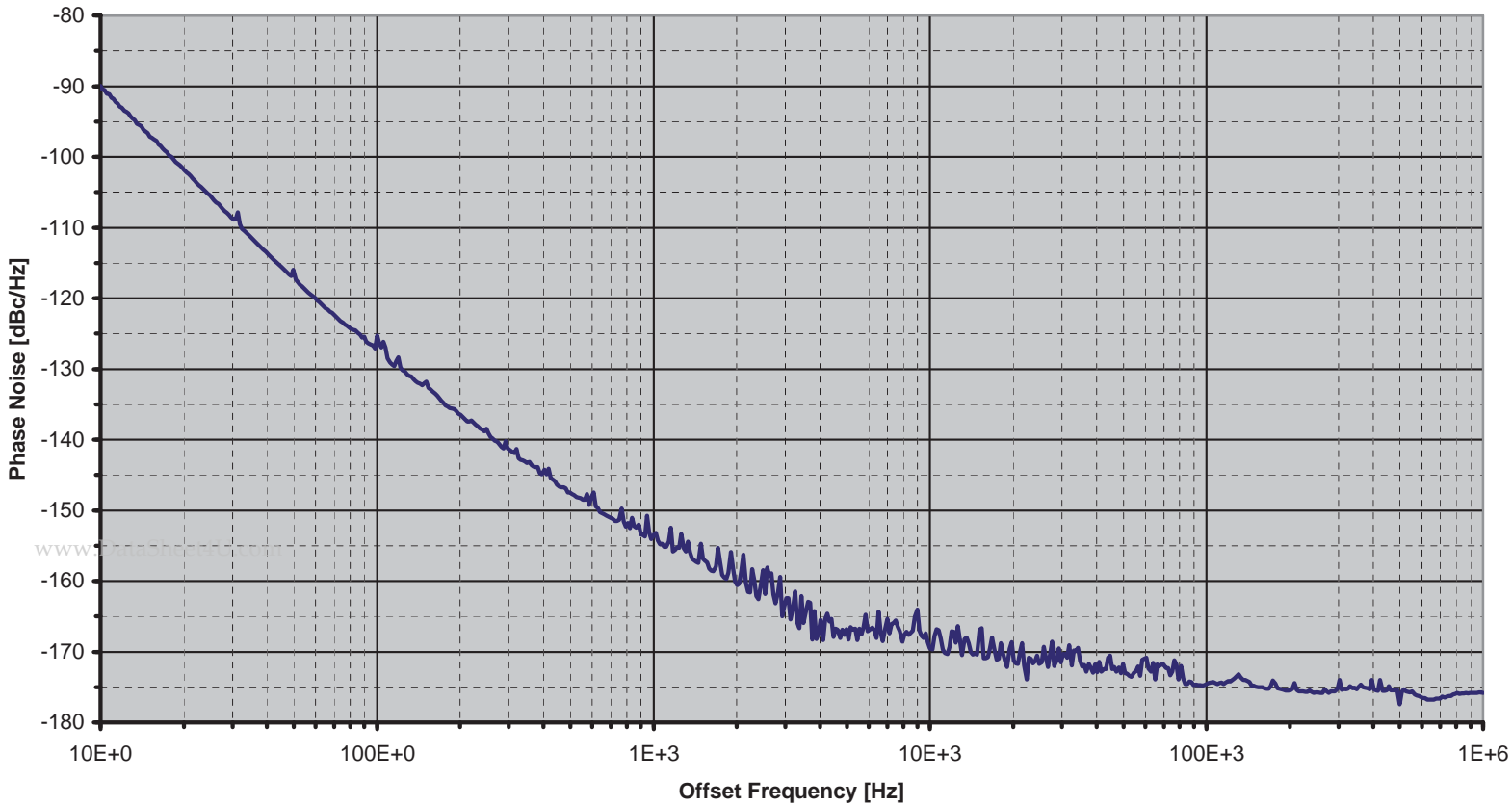
Dimensions in mm



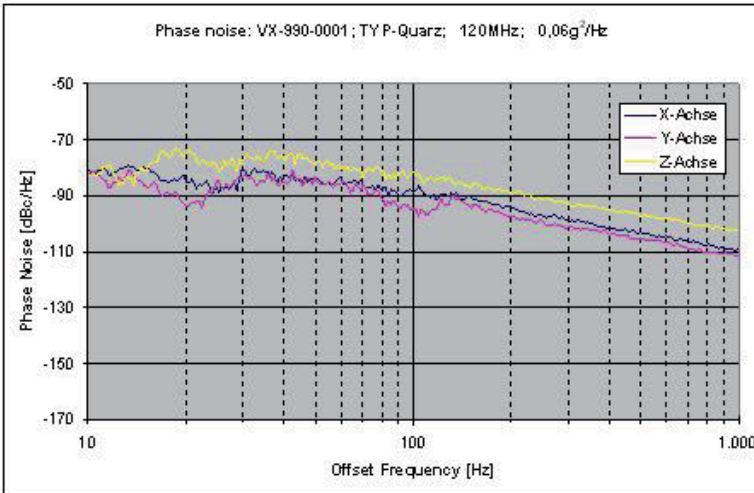
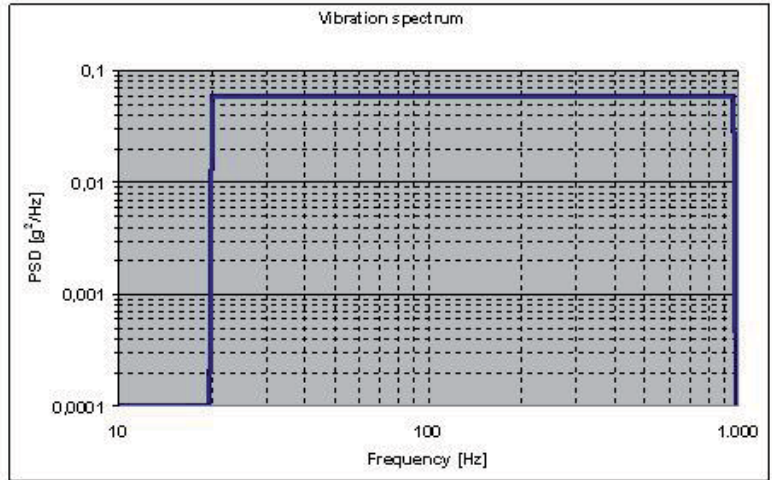
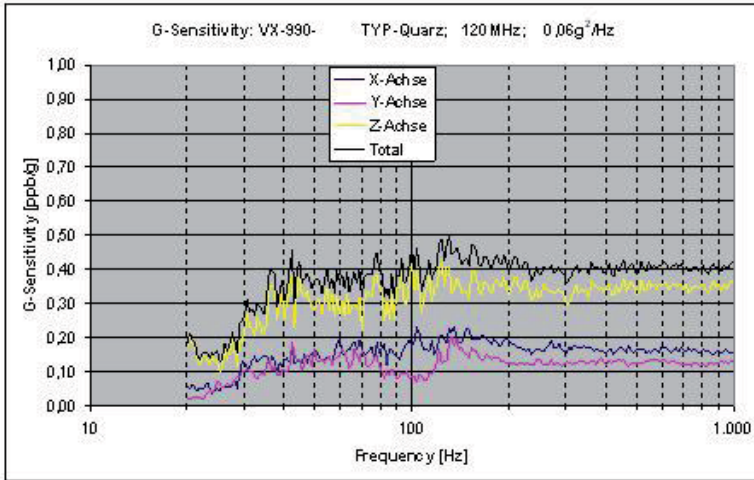
Typical Phase Noise @ 120 MHz without vibration



VX-990 @ 120MHz



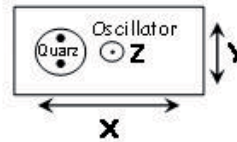
Typical G-Sensitivity @120 MHz without shock absorber



Calculation equation according to Vig-Tutorial

$$G_{sensitivity} = \frac{2 \cdot f_v}{A_{peak} \cdot f_0} \cdot 10^{\frac{Z(f)}{20}}$$

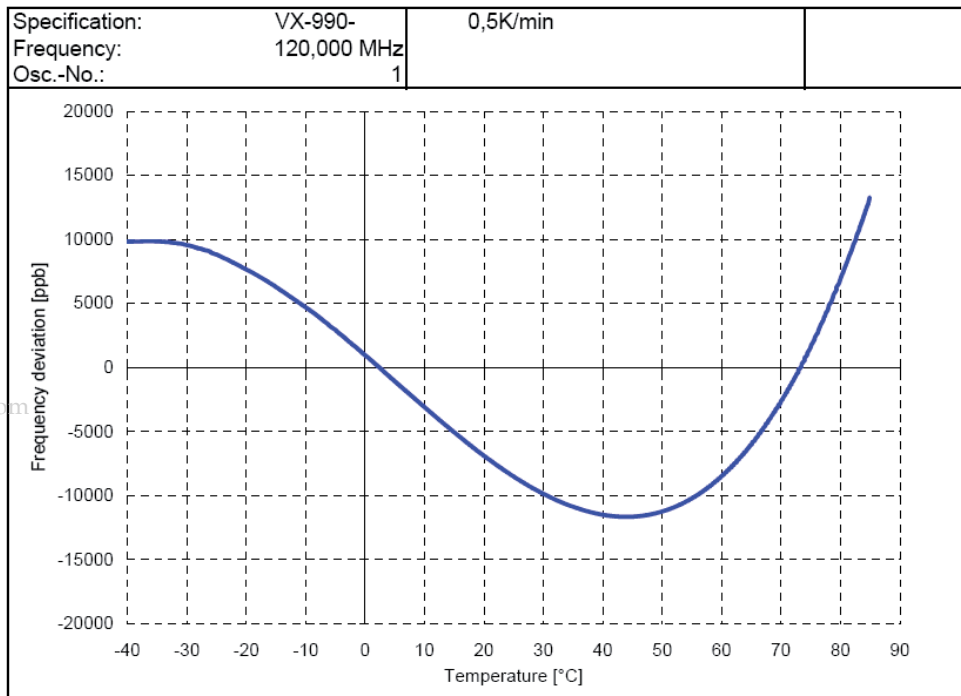
$$A_{peak} = \sqrt{PSD \cdot 2}$$



Comments:
Measured without shock absorbers

Typical Frequency Stability vs Temperature

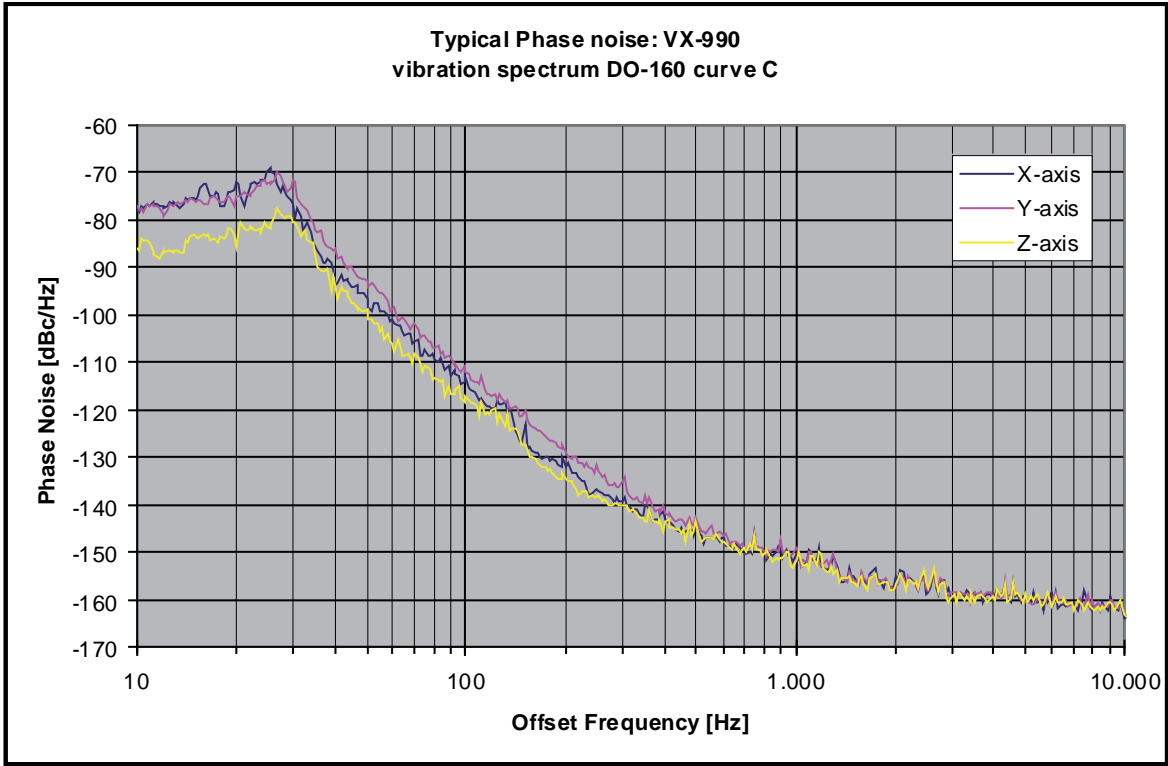
Frequency vs. Temperature



www.DataSheet4U.com

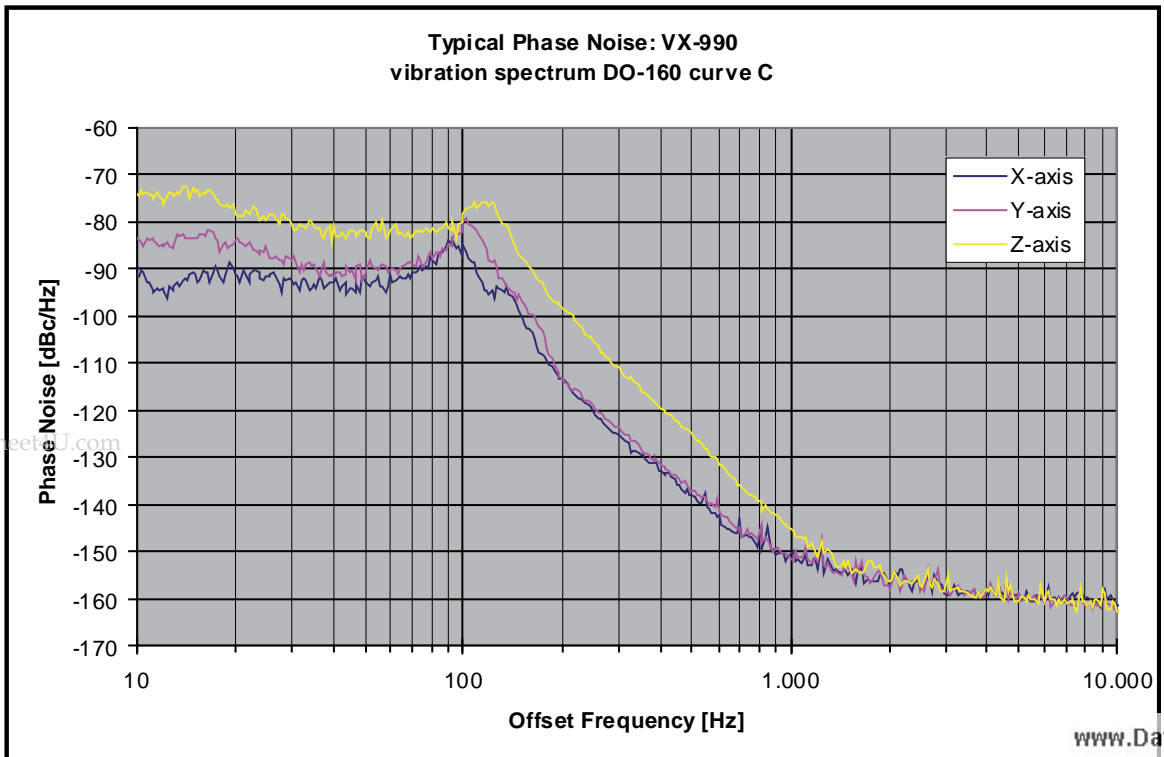
phase noise under vibration

Specification:	VX-990	using soft shock absorbers	
Frequency:	120,000 MHz		

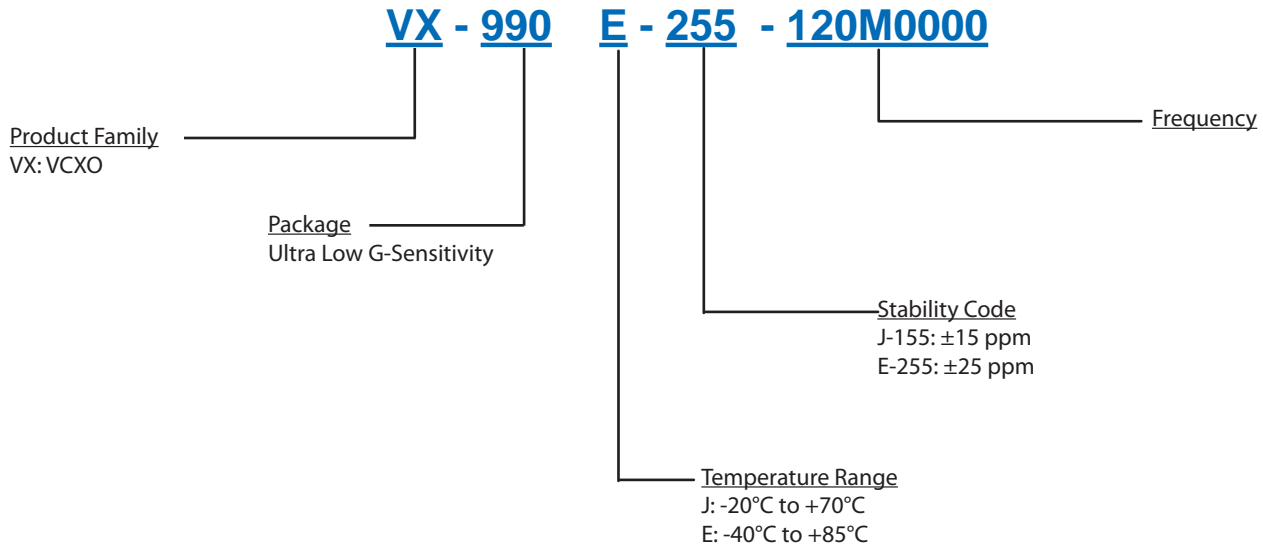


phase noise under vibration

Specification:	VX-990	using hard shock absorbers	
Frequency:	120,000 MHz		



Ordering Information



Notes:

1. Contact factory for improved stabilities or additional product options. Not all options and codes are available at all frequencies.
2. Phase noise degrades with increasing output frequency.
3. Contact factory for availability.

Unless other stated all values are valid after warm-up time and refer to typical conditions for supply voltage, frequency control voltage, load, temperature (25°C).

Subject to technical modification.

For Additional Information, Please Contact

USA:

Vectron International
267 Lowell Road
Hudson, NH 03051
Tel: 1.888.328.7661
Fax: 1.888.329.8328

Europe:

Vectron International
Landstrasse, D-74924
Neckarbischofsheim, Germany
Tel: +49 (0) 7268.801.100
Fax: +49 (0) 7268.801.282

Asia:

Vectron International
1589 Century Avenue, the 19th Floor
Chamtime International Financial Center
Shanghai, China
Tel: 86.21.6081.2888
Fax: 86.21.6163.3598

Disclaimer

Vectron International reserves the right to make changes to the product(s) and or information contained herein without notice. No liability is assumed as a result of their use or application. No rights under any patent accompany the sale of any such product(s) or information.