

● Product Picture/产品外观图片



● Features/产品特性描述

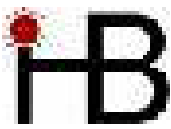
1. Emitted Color/发光颜色: Pure White/正白、Warm White/暖白、Red/红、Yellow/黄、Blue/蓝、Green/绿.
2. Super energy saving and environmental protection/非常节能和环保.
3. Water and dust proof/防水防尘.
4. Choices of luminous intensities for indoor and outdoor application/选择的发光强度适合于室内和室外应用.
5. High reliability and long life /高可靠性，长寿命.

● Absolute Maximum Ratings /产品的极限使用条件

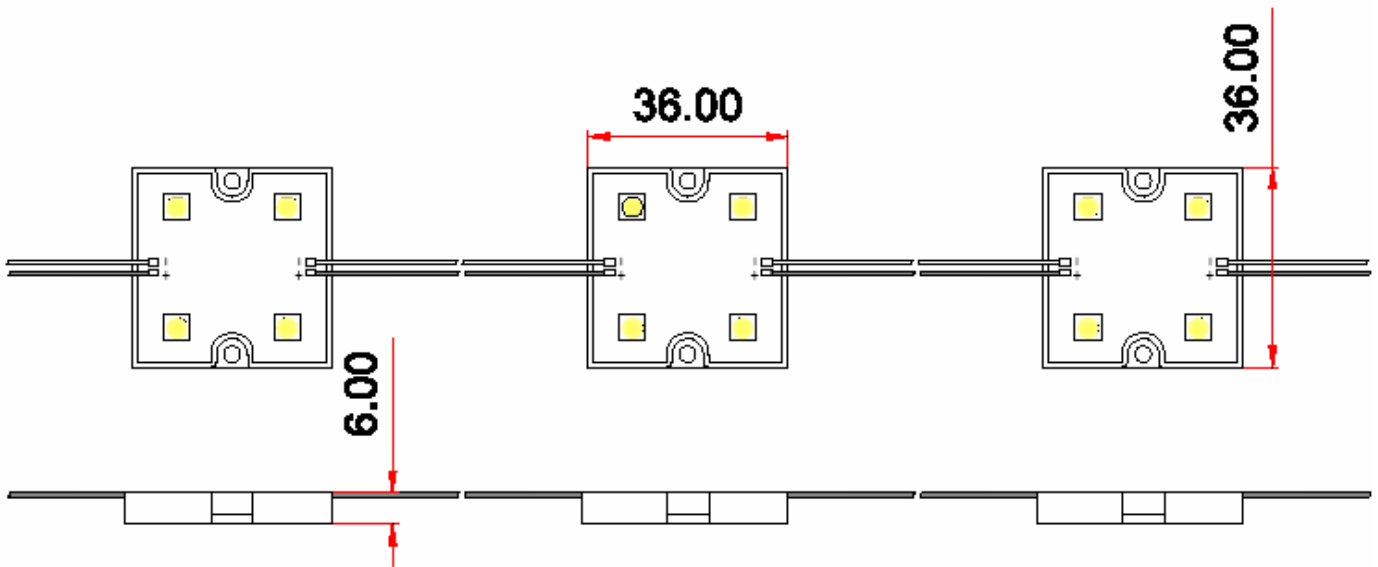
Parameter /项目	Symbol /代码	Rating /范围			Unit
		Min./最小值	Typ./标准值	Max./最大值	
Input Voltage DC /输入电压	Vin	11	12	12.5	V
Input Current DC/输入电流	I(rms)	-	0.08	-	A
Operating Tem./工作温度	Ta	-25	25	50	°C
Operating Hum./相对湿度	Ha	5%-95%(No Water/不结露)			-
Storage Tem./存储温度	Ts	-30~65			°C

● Electrical and optical characteristics (Ta=25°C) /产品的电气及光电参数

Parameter /项目	Condition/条件	Symbol /代码	Min. /最小值	Typ./标准值	Max./最大值	Unit
Power Dissipation /功率	Vin=12V	Pd	-	1.0	-	W
Luminous Flux /光通量	Vin=12V	IV(P)	40	50	-	Lm
		IV(W)	30	40	-	Lm
		IV(R)	20	25	-	Lm
		IV(Y)	20	25	-	Lm
		IV(B)	10	15	-	Lm
		IV(G)	25	30	-	Lm
Color Temperature /色温	Vin=12V	C.T.(P1)	4000	4200	4500	K
		C.T.(P2)	5500	6000	6200	K
		C.T.(W1)	2700	3000	3200	K
		C.T.(W2)	3600	3800	3900	K
		C.T.(R)	620	625	630	nm
		C.T.(Y)	585	590	595	nm
		C.T.(B)	465	470	475	nm
		C.T.(G)	520	525	530	nm
Viewing Angle /发光角度	Vin=12V	θ	-	120	-	Deg



● Package Dimensions /产品尺寸图



Notes /备注:

1. All dimensions are in millimeters. /所有的尺寸单位为 mm.
2. Tolerance is  $\pm 1$  mm unless otherwise specified. /默认的尺寸公差为 $\pm 1$  mm.
3. Specifications are subject to change without notice. /产品外形若有变更，恕不特别通知.

● Circuit Diagram/产品线路图

