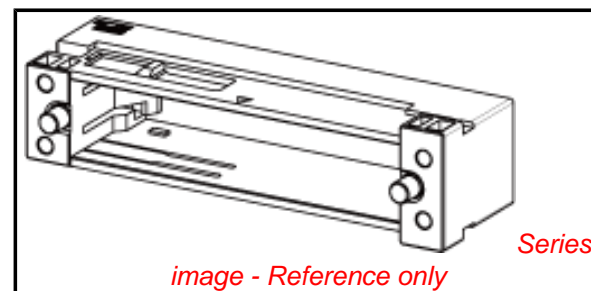


PLEASE CHECK WWW.MOLEX.COM FOR LATEST PART INFORMATION

Part Number: [5033703200](#)
Status: **Active**
Description: 2.50mm (.098") Pitch Floating Wire-to-Board Plug Adaptor, Dual Row, Panel Mount, Vertical, 32 Circuits

Documents:

[3D Model](#) [Product Specification PS-503367-001 \(PDF\)](#)
[Drawing \(PDF\)](#) [RoHS Certificate of Compliance \(PDF\)](#)



General

Product Family	Accessories
Series	503370
Component Type	Adapter
Product Name	N/A

Physical

Circuits (Loaded)	0
Color - Resin	Black
Gender	Plug
Lock to Mating Part	Yes
Packaging Type	Bag
Temperature Range - Operating	-25°C to +85°C

Material Info

Reference - Drawing Numbers

Application Specification	AS-503367-001
Product Specification	PS-503367-001
Sales Drawing	SD-503370-001

EU RoHS

**ELV and RoHS
Compliant**
REACH SVHC
 Not Reviewed
**Halogen-Free
Status**

China RoHS



Not Reviewed
**Need more information on product
environmental compliance?**

Email productcompliance@molex.com
 For a multiple part number RoHS Certificate of Compliance, [click here](#)

Please visit the [Contact Us](#) section for any non-product compliance questions.

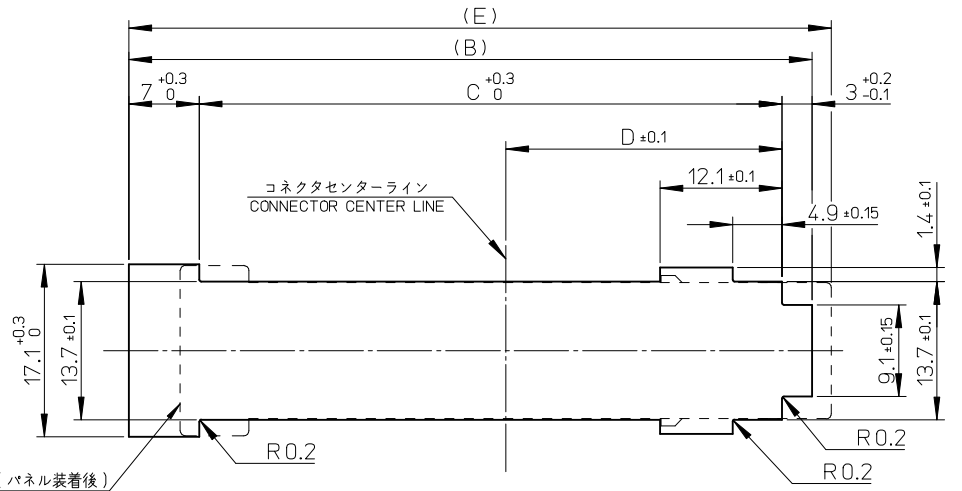
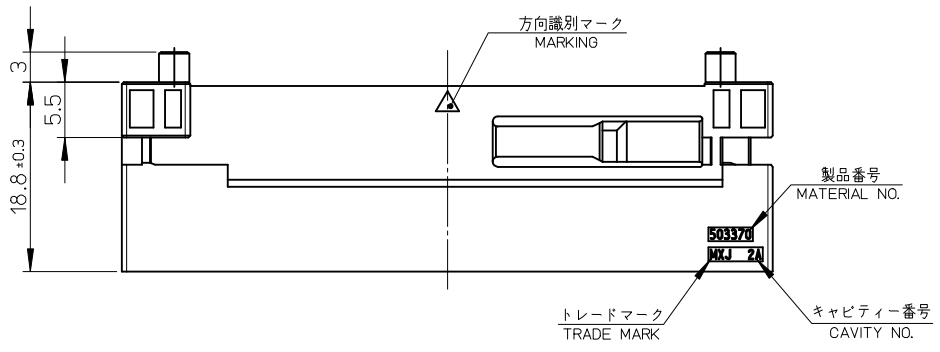
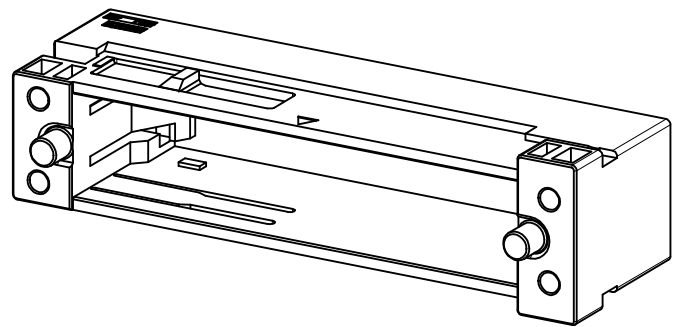
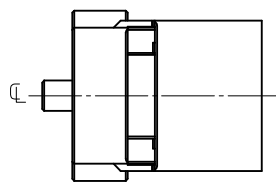
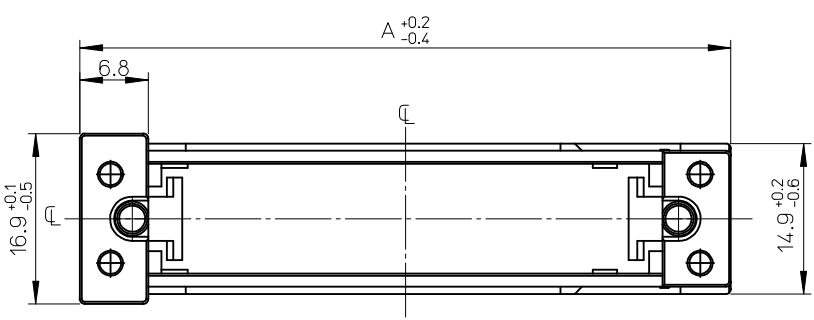
Search Parts in this Series

[503370Series](#)

Use With

[503369](#) Plug Housing . [503370](#) Plug
 Terminal . [503367PCB](#) Receptacle

10 9 8 7 6 5 4 3 2 1



アダプター外形 (パネル装着後)
ADAPTOR OUT LINE (AFTER INSTALLED)

△ パネル切り欠き穴寸法 (パネル厚: 2.5 ± 0.1)
PANEL HOLE DIMENSION (THK=2.5 ± 0.1)

69.7	27.4	57.8	67.8	64.6	503370-3200	503370-**-00	32
54.7	19.9	42.8	52.8	49.6	503370-2000		20
E	D	C	B	A	PLASTIC BAG オーダー番号 ORDER No.	MODEL NO.	極数 CIRCUITS

注記:
NOTES

- 材質: ポリブチレンテレフタレート (PBT)、ガラス充填、UL94V-0、黒色
MATERIAL: POLYBUTYLENE TEREPHTHALATE (PBT), GLASS FILLED, UL94V-0, BLACK
- 適合ハウジング: 503369-**-00
APPLICABLE HOUSING: 503369-**-00
- △ パネル切り欠き穴のハウジング挿入側は、挿入性向上の為適度な面取りを設置してください。
PLEASE INSTALL CHAMFER ALONG THE PANEL HOLE OF HOUSING INSERTION SIDE.
- 製品仕様及び取り扱いについては、製品仕様書PS-503367-001及び、コネクタ取扱説明書AS-503367-001を参照願います。
PLEASE REFER TO PRODUCTS SPECIFICATION PS-503367-001 AND USER'S MANUAL AS-503367-001.
- ELV及びRoHS適合品。
ELV AND RoHS COMPLIANT.

RELEASED EC NO.: J2009-2286 DRWN: KWASHIO 2009/04/15 CHKD: SSAT003 2009/04/15 APPR: SICHIKAWA 2009/04/15 REV: O	DESCRIPTION GENERAL TOLERANCES (UNLESS SPECIFIED) 10 UNDER ±0.2 10 OVER 30 UNDER ±0.25 30 OVER ±0.3 ANGULAR ±3 ° DRAFT WHERE APPLICABLE MUST REMAIN WITHIN DIMENSIONS	DIMENSION STYLE MM ONLY DRAWN BY: KKOBAYASHI CHECKED BY: SSAT003 APPROVED BY: SICHIKAWA MATERIAL NO.: SEE CHART	SCALE 2:1 DESIGN UNITS METRIC THIRD ANGLE PROJECTION	TITLE 2.5 FLOATING CONN. PLUG ADAPTOR	
				MOLEX INCORPORATED DOCUMENT NO. SD-503370-001	
				SHEET NO. 1 OF 1	
				THIS DRAWING CONTAINS INFORMATION THAT IS PROPRIETARY TO MOLEX INCORPORATED AND SHOULD NOT BE USED WITHOUT WRITTEN PERMISSION	