

Silicon NPN Power Transistors

2N6300 2N6301

DESCRIPTION

- With TO-66 package
- DARLINGTON
- Low collector saturation voltage
- Complement to type 2N6298/6299

APPLICATIONS

- General purpose power amplifier and low frequency switching applications

PINNING (See Fig.2)

PIN	DESCRIPTION
1	Base
2	Emitter
3	Collector

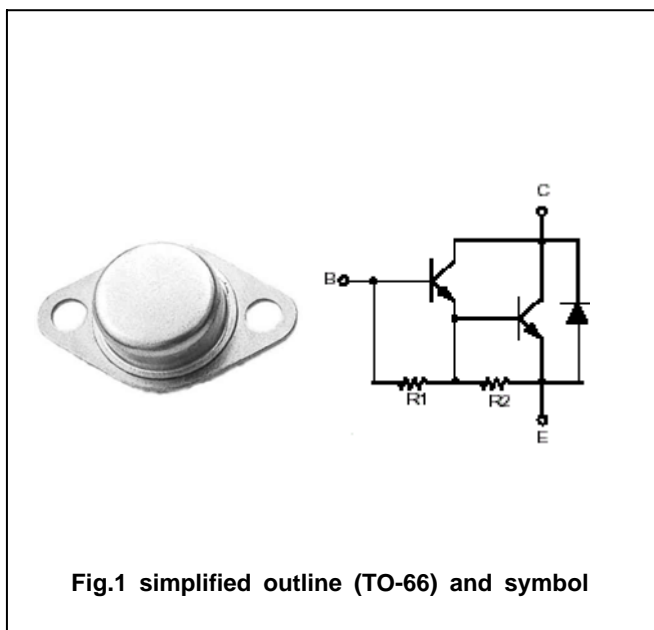


Fig.1 simplified outline (TO-66) and symbol

Absolute maximum ratings(Ta=25°C)

SYMBOL	PARAMETER	CONDITIONS	VALUE	UNIT
V _{CBO}	Collector-base voltage	2N6300	60	V
		2N6301	80	
V _{CEO}	Collector-emitter voltage	2N6300	60	V
		2N6301	80	
V _{EBO}	Emitter-base voltage	Open collector	5	V
I _C	Collector current		8	A
I _{CM}	Collector current-peak		16	A
I _B	Base current		0.12	A
P _T	Total power dissipation	T _C =25°C	75	W
T _j	Junction temperature		200	°C
T _{stg}	Storage temperature		-65~200	°C

THERMAL CHARACTERISTICS

SYMBOL	PARAMETER	MAX	UNIT
R _{th j-c}	Thermal resistance from junction to case	2.33	°C/W

Silicon NPN Power Transistors

2N6300 2N6301

CHARACTERISTICS

T_j=25°C unless otherwise specified

SYMBOL	PARAMETER		CONDITIONS	MIN	TYP.	MAX	UNIT
V _{CEO(SUS)}	Collector-emitter sustaining voltage	2N6300	I _C =0.1A ; I _B =0	60			V
		2N6301		80			
V _{CEsat-1}	Collector-emitter saturation voltage		I _C =4A ; I _B =16mA			2.0	V
V _{CEsat-2}	Collector-emitter saturation voltage		I _C =8A ; I _B =80mA			3.0	V
V _{BEsat}	Base-emitter saturation voltage		I _C =8A ; I _B =80mA			4.0	V
V _{BE}	Base -emitter on voltage		I _C =4A ; V _{CE} =3V			2.8	V
I _{CEx}	Collector cut-off current	2N6300	V _{CE} =60V ; V _{BE(off)} =1.5V T _C =150°C			0.5 5.0	mA
		2N6301	V _{CE} =80V ; V _{BE(off)} =1.5V T _C =150°C			0.5 5.0	
I _{CEO}	Collector cut-off current	2N6300	V _{CE} =30V ; I _B =0			0.5	mA
		2N6301	V _{CE} =40V ; I _B =0				
I _{EBO}	Emitter cut-off current		V _{EB} =5V ; I _C =0			2.0	mA
h _{FE-1}	DC current gain		I _C =4A ; V _{CE} =3V	750		18000	
h _{FE-2}	DC current gain		I _C =8A ; V _{CE} =3V	100			
C _{OB}	Output capacitance		I _E =0 ; V _{CB} =10V ; f=0.1MHz			200	pF

PACKAGE OUTLINE

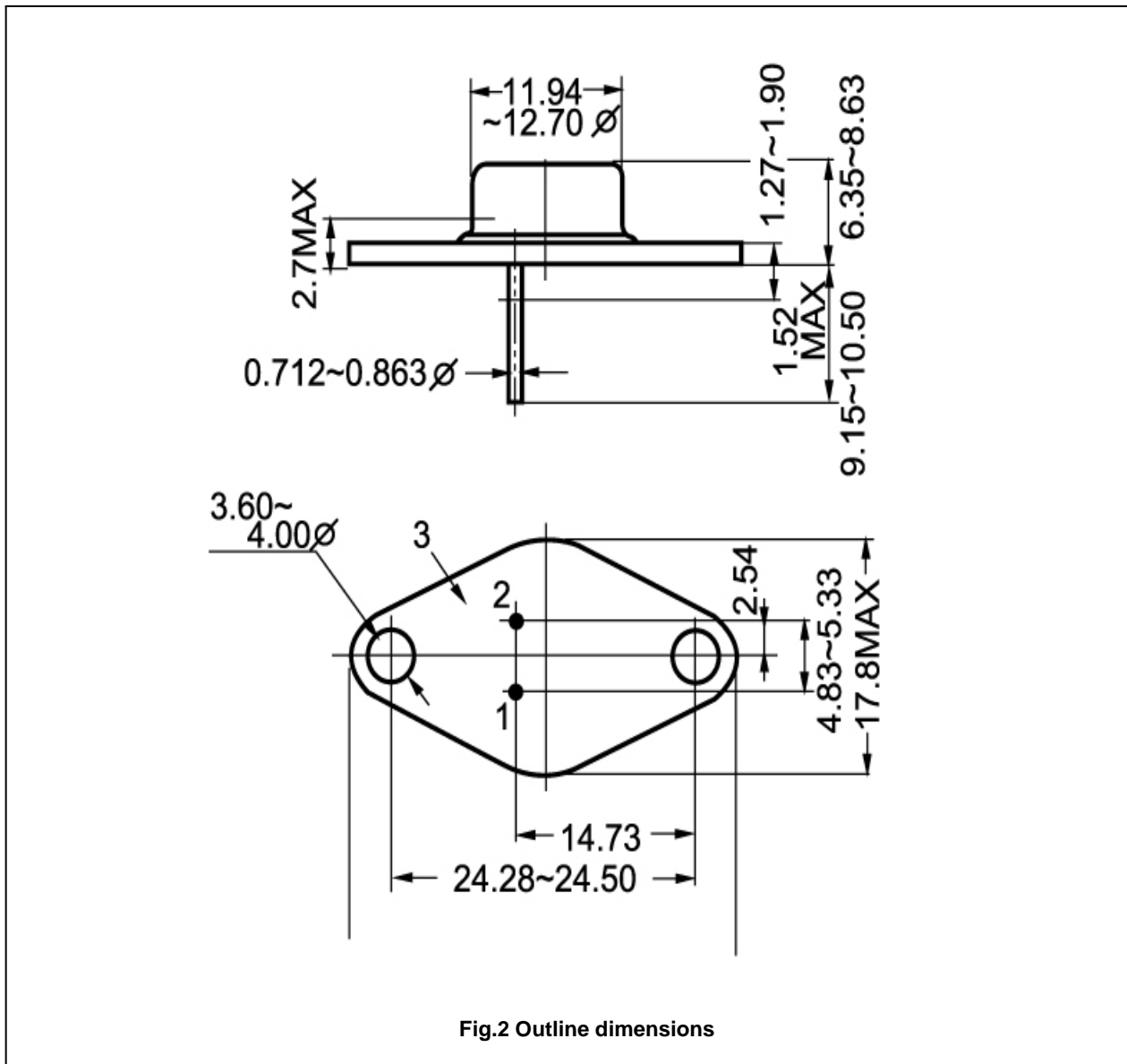


Fig.2 Outline dimensions