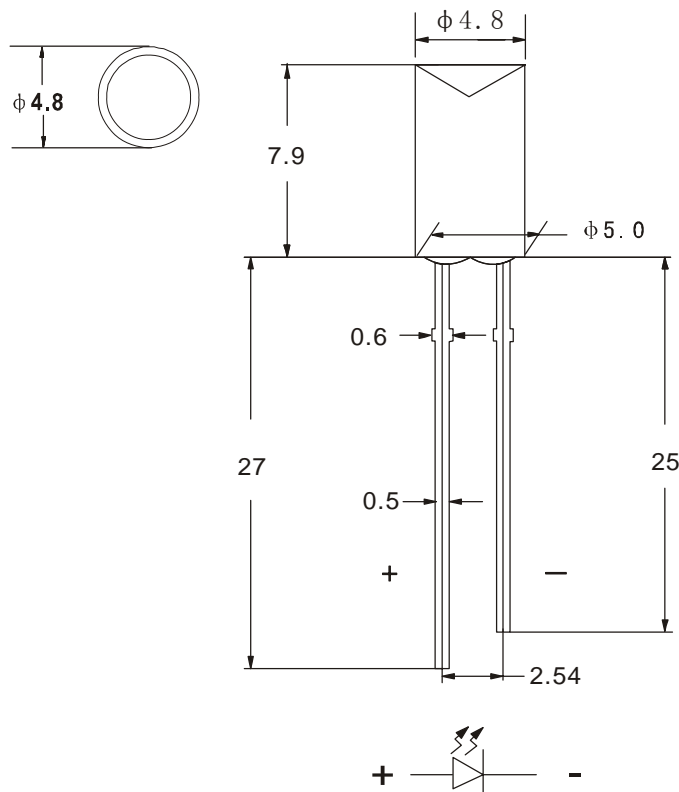


品名: 5W4VC-iXXXX

单位: mm

NOTE:TOLERANCE  $\pm 0.5$ mm

Parameter	Symbol	Min.	Typ.	Max.	UNIT	Test Condition
Luminous Intensity	IV	5801		7000	mcd	IF=20mA
Viewing Angle	$2\theta$ 1/2	10		60	Deg	
Peak Emission Wavelength	$\lambda P$		B/Y		nm	IF=20mA
Spectral Line Half-Width	$\Delta\lambda$		30		nm	IF=20mA
Forward Voltage	VF	3.0		3.8	V	IF=20mA
Reverse Current	IR			10	$\mu A$	VR=5V

■ ABSOLUTE MAXIMUM RATINGS: ( $T_a = 25^\circ C$ )

■ OPERATING TEMPERATURE:  $-40^\circ C$  TO  $+80^\circ C$

■ LEAD SOLDERING:  $260^\circ C$  FOR 5 SECONDS