

MIL-C-38999 Series III

650HS010 B 17

Basic Part No. _____

Finish (Table II) _____

Shell Size _____

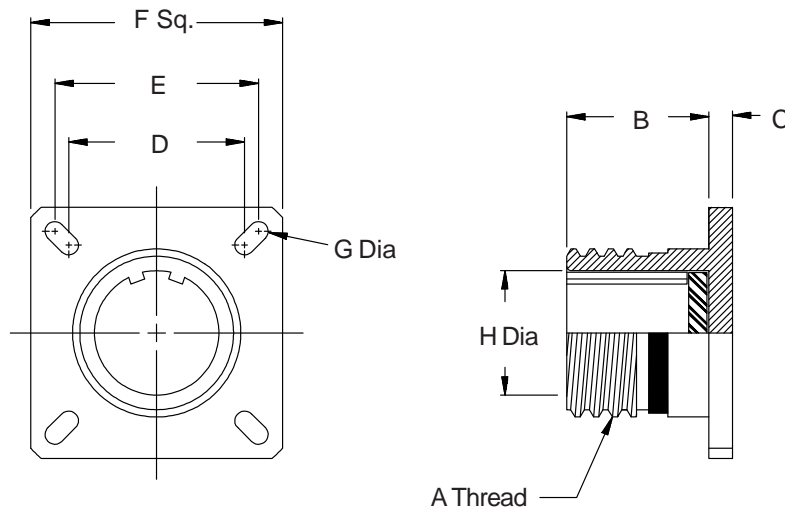


TABLE III: DIMENSIONS

Shell Size	Shell Size Code	A Thread	B Max	C Max	D
09	A	.625-.1P-3LTS	.843 (21.4)	.110 (2.8)	.594 (15.1)
11	B	.750-.1P-3LTS	.843 (21.4)	.110 (2.8)	.719 (18.3)
13	C	.875-.1P-3LTS	.843 (21.4)	.110 (2.8)	.812 (20.6)
15	D	1.000-.1P-3LTS	.843 (21.4)	.110 (2.8)	.906 (23.0)
17	E	1.187-.1P-3LTS	.843 (21.4)	.110 (2.8)	.969 (24.6)
19	F	1.250-.1P-3LTS	.843 (21.4)	.110 (2.8)	1.062 (27.0)
21	G	1.375-.1P-3LTS	.811 (20.6)	.137 (3.5)	1.156 (29.4)
23	H	1.500-.1P-3LTS	.811 (20.6)	.137 (3.5)	1.250 (31.8)
25	J	1.625-.1P-3LTS	.811 (20.6)	.137 (3.5)	1.375 (34.9)

See inside back cover fold-out or page 14 for Table II.

Metric dimensions (mm) are indicated in parentheses.

TABLE III (Continued)

Shell Size	Shell Size Code	E	F Max	G Dia ±.007 (0.2)	H Dia
09	A	.719 (18.3)	.949 (24.1)	.128 (3.3)	.492 (12.5)
11	B	.812 (20.6)	1.043 (26.5)	.128 (3.3)	.620 (15.7)
13	C	.906 (23.0)	1.138 (28.9)	.128 (3.3)	.769 (19.5)
15	D	.969 (24.6)	1.232 (31.3)	.128 (3.3)	.894 (22.7)
17	E	1.062 (27.0)	1.322 (33.6)	.128 (3.3)	1.019 (25.9)
19	F	1.156 (29.4)	1.448 (36.8)	.128 (3.3)	1.124 (28.5)
21	G	1.250 (31.8)	1.574 (40.0)	.128 (3.3)	1.249 (31.7)
23	H	1.375 (34.9)	1.700 (43.2)	.154 (3.9)	1.374 (34.9)
25	J	1.500 (38.1)	1.822 (46.3)	.154 (3.9)	1.499 (38.1)