

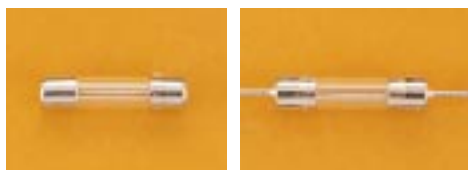


defining a degree of excellence

Type 5MT / 5MTP Medium Blow Fuse Series

5 x 20mm Glass Tube

5MTD0199



Electrical Characteristics (UL/CSA STD. 248-14)

Testing current	Blow Time	
	Minimum	Maximum
100%	4 Hrs.	N/A
135%	N/A	1 Hr
200%	N/A	15 Sec
1000%	10 mSec	N/A

Approvals



Safety Agency Approvals	Type	Amp range / Volt @ I.R. ability
Listed File no. E20624 Certified File no. LR39772	5MT / 5MTP	100mA - 800mA / 250V AC@ 35A 1A - 3A / 250V AC@ 100A 100mA - 5A / 125V AC@ 10,000A
Approval File no. 32-1764 / no. 32-1766 File no. 32-1765	5MT / 5MTP 5MT	1A - 5A / 125V AC@ 500A >5A - 15A / 125V AC@ 300A

Operating Temperature:

-55°C to +125°C

Physical Specification

Materials

Glass body / Nickel Plated Brass Caps

Lead wire :

- Tin-lead plated Copper,
- Diameter 0.032", 5A and less
- Diameter 0.040", 6A and above

Marking:

On fuse:

"bel", "5MT", "Current Rating", "Voltage Rating", and "Appropriate Safety Logos"

On label:

Above info plus "CE" and interrupting rating

Voltage on fuse:

250V for 100mA to 3A; 125V for rating above 3A

Packaging

1. In bulk:

5MT - 1,000 pcs per box; 5MTP - 500 pcs per box

2. On Axial Tape & Reel:

1,500 pcs per reel

3. Tape & Reel specification:

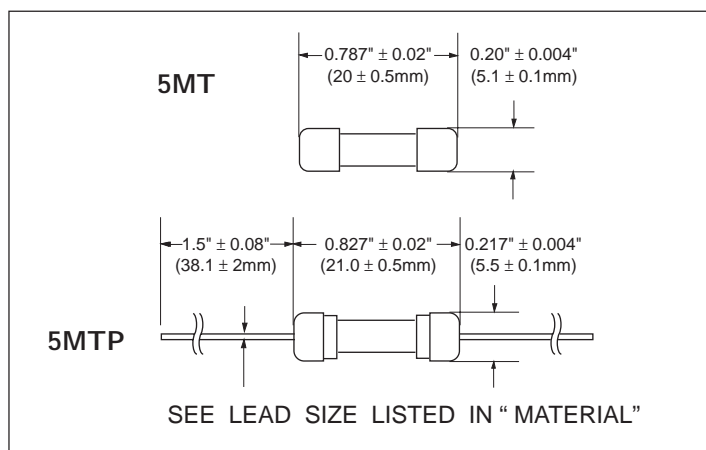
per EIA-296-E & IEC 286-1

@ 10mm Pitch and 63.5mm inside Tape Spacing

Catalog Number	Ampere Rating	Typical Cold Resistance (ohm)	Volt-drop @100% In (Volt) max.	Melting I ² T < 10 mSec (A ² Sec)	Melting I ² T @10 In (A ² Sec)	Maximum Power Dissipation (W)
5MT (P) 100	100mA	12	1.7	0.02	0.04	0.30
5MT (P) 125	125mA	8	1.4	0.04	0.07	0.32
5MT (P) 160	160mA	5	1.2	0.06	0.11	0.34
5MT (P) 200	200mA	3.4	1.0	0.11	0.18	0.36
5MT (P) 250	250mA	2.2	0.9	0.18	0.30	0.38
5MT (P) 300	300mA	1.5	0.7	0.31	0.50	0.37
5MT (P) 375	375mA	1.1	0.6	0.47	0.75	0.40
5MT (P) 500	500mA	0.6	0.53	0.9	1.4	0.43
5MT (P) 600	600mA	0.4	0.45	1.5	2.3	0.45
5MT (P) 750	750mA	0.3	0.39	2.3	3.5	0.49
5MT (P) 1	1A	0.2	0.32	4.2	6.4	0.49
5MT (P) 1.25	1.25A	0.1	0.27	7.2	10.6	0.52
5MT (P) 1.6	1.6A	0.08	0.23	12.1	17.7	0.55
5MT (P) 2	2A	0.05	0.19	20	29	0.59
5MT (P) 2.5	2.5A	0.04	0.18	35	49	0.65
5MT (P) 3	3A	0.030	0.172	58	82	0.74
5MT (P) 3.5	3.5A	0.026	0.167	76	105	0.84
5MT (P) 4	4A	0.022	0.162	99	136	0.9
5MT (P) 5	5A	0.017	0.152	167	226	1.1

Consult manufacturer for other ratings

Mechanical Dimensions

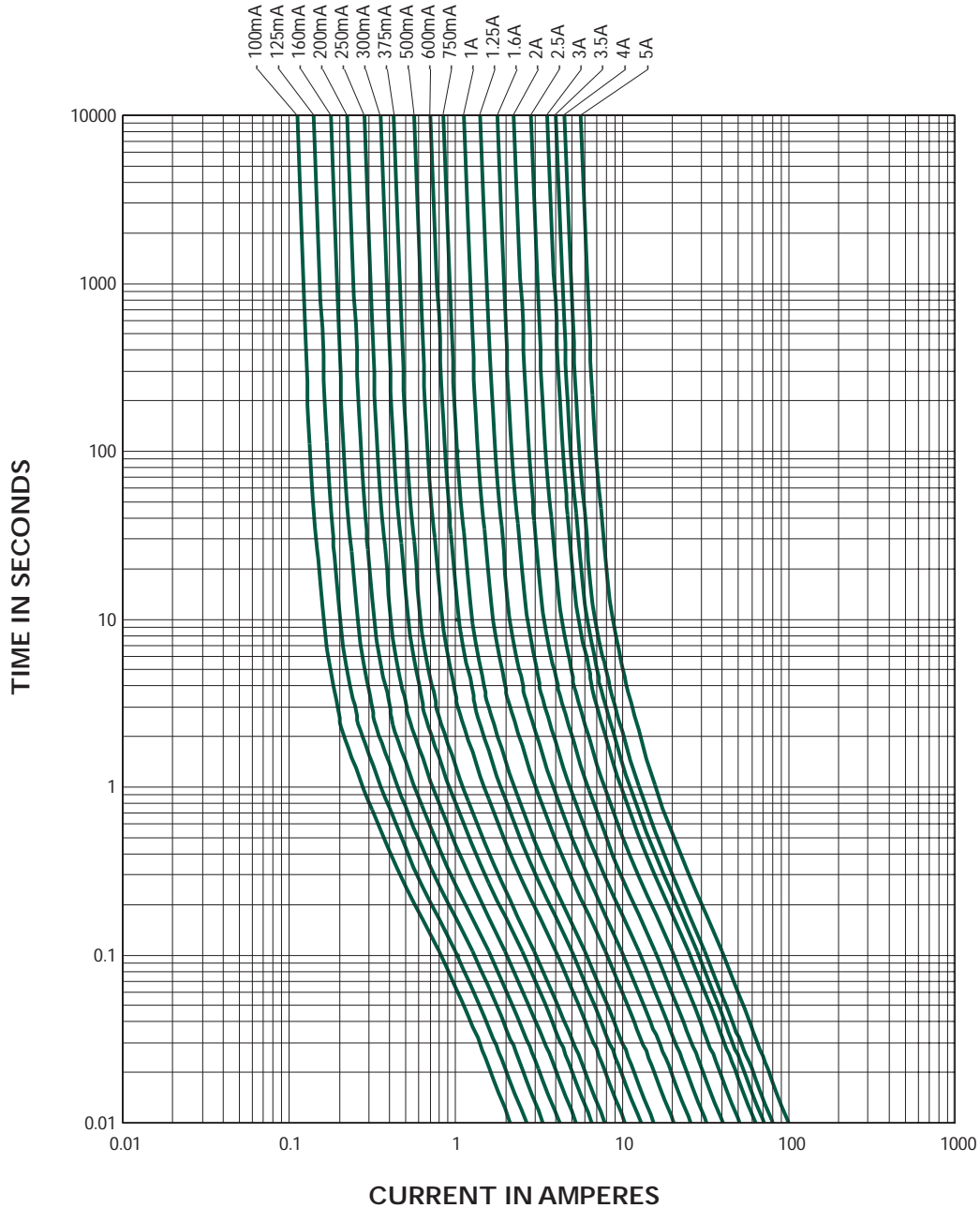


Specifications subject to change without notice

Type 5MT / 5MTP
 Medium Blow Fuse Series

5 x 20mm Glass Tube

5MT / 5MTP - TIME CURRENT CHARACTERISTIC CURVE



Specifications subject to change without notice

NOTE - see important information under "User Guide" on P.08

Corporate Office

Bel Fuse Inc.
 198 Van Vorst Street, Jersey City, NJ 07302
 Tel: 201-432-0463
 Fax/Fax: 201-432-9542
 E-Mail: belfuse@belfuse.com
 Internet: <http://www.belfuse.com>

Far East Office

Bel Fuse Ltd.
 8F/8 Luk Hop Street
 San Po Kong
 Kowloon, Hong Kong
 Tel: 852-2328-5515
 Fax: 852-2352-3706

European Office

Bel Fuse Europe Ltd.
 Preston Technology Management Centre
 Marsh Lane, Preston PR1 8U
 Lancashire, U.K.
 Tel: 44-1772-556601
 Fax: 44-1772-888366