

High Voltage Fast-Switching NPN Power Transistor
Features

- Very High Switching Speed
- High Voltage Capability
- Wide Reverse Bias SOA


General Description

This Device is designed for high voltage, High speed switching characteristics required such as lighting system, switching mode power supply.

Absolute Maximum Ratings

Symbol	Parameter	Test Conditions	Value	Units
V_{CES}	Collect-Emmitter Voltage	$V_{BE}=0$	600	V
V_{CEO}	Collector-Emmitter Voltage	$I_B=0$	400	V
V_{EBO}	Emmitter-Base Voltage	$I_C=0$	9.0	V
I_C	Collector Current		0.5	A
I_{CP}	Collector pulse Current		1.0	A
I_B	Base Current		-	A
I_{BM}	Base Peak Current	$t_p=5ms$	-	A
P_C	Total Dissipation at $T_c^*=25^\circ C$		8	W
	Total Dissipation at $T_a^*=25^\circ C$		0.6	
T_J	Operation Junction Temperature		-40~150	$^\circ C$
T_{STG}	Storage Temperature		-40~150	$^\circ C$

T_c : Case temperature (good cooling)

T_a : Ambient temperature (without heat sink)

Electrical Characteristics ($T_c=25^\circ\text{C}$ unless otherwise noted)

Symbol	Parameter	Test conditions	Value			Units
			Min	Typ	Max	
BV_{CBO}	Collector-Base Breakdown Voltage	$I_c=0.5\text{mA}, I_e=0$	600			V
BV_{CEO}	Collector-Emitter Breakdown Voltage	$I_c=10\text{mA}, I_b=0$	400	-	-	V
$V_{CE(sat)}$	Collector -Emitter Saturation Voltage	$I_c=200\text{mA}, I_b=100\text{mA}$	-	-	1.6	V
$V_{BE(sat)}$	Base -Emitter saturation Voltage	$I_c=200\text{mA}, I_b=100\text{mA}$	-	-	1.2	V
I_{CBO}	Collector -Base Cutoff Current	$V_{cb}=550\text{V}, I_e=0\text{mA}$	-	-	10	μA
I_{CEO}	Collector -Emitter Cutoff Current	$V_{ce}=400\text{V}, I_b=0\text{mA}$	-	-	20	μA
I_{EBO}	Emitter -Base Cutoff Current	$V_{eb}=9\text{V}, I_c=0\text{mA}$	-	-	20	μA
hFE	DC Current Gain	$V_{ce}=20\text{V}, I_c=20\text{mA}$	10	-	40	
		$V_{ce}=5\text{V}, I_c=1\text{mA}$	9	-	-	
ts	Storage Time	$V_{CC}=250\text{V}$	2	-	-	μs
tf	Fall Time	$I_c=5 I_B$ $I_{B1}=-I_{B2}=0.04\text{A}$	-	-	0.8	

Note:

Pulse Test: Pulse width 300,Duty cycle 2%

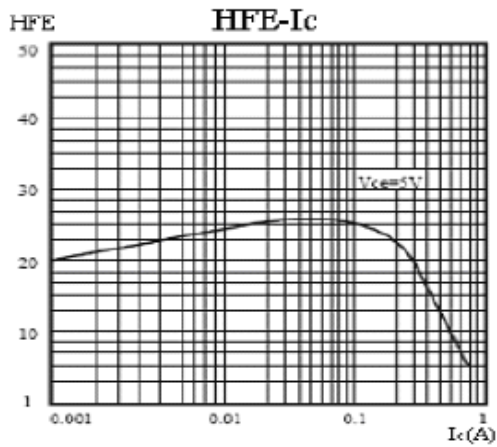


Fig.1 DC Current Gain

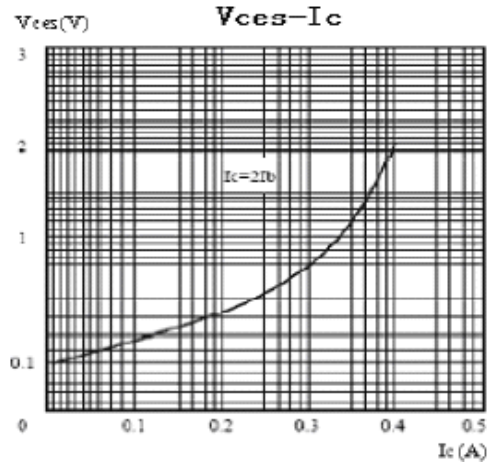


Fig.2 Saturation Voltage

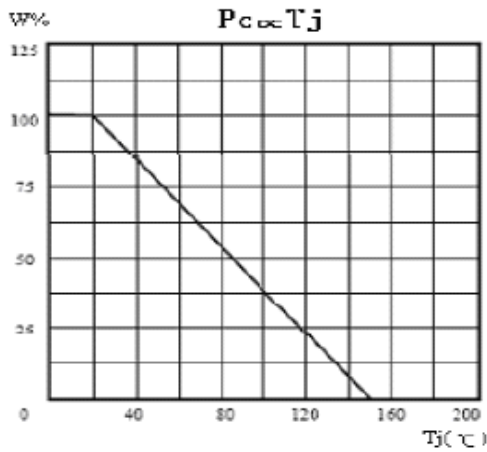


Fig.3 Power Derating

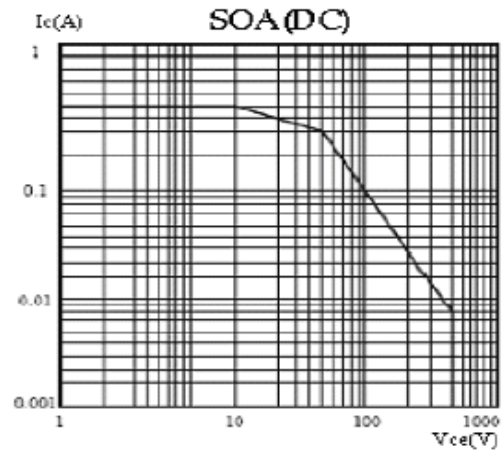


Fig.4 Safe Operation Area

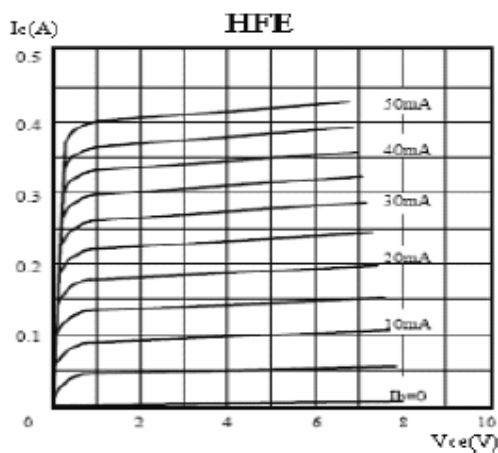
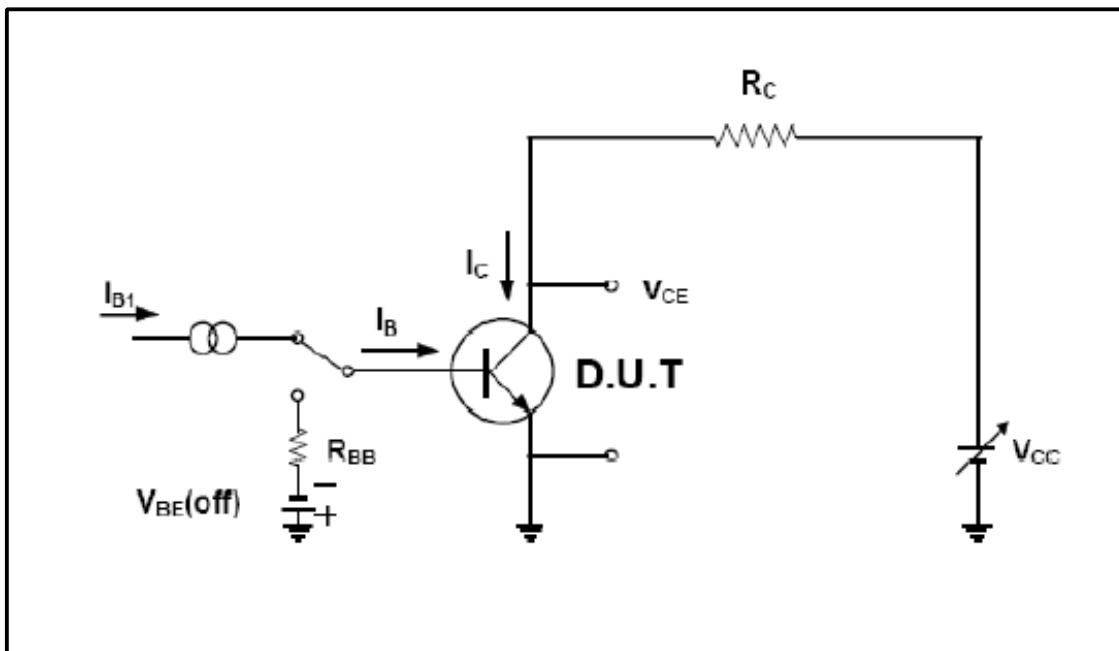
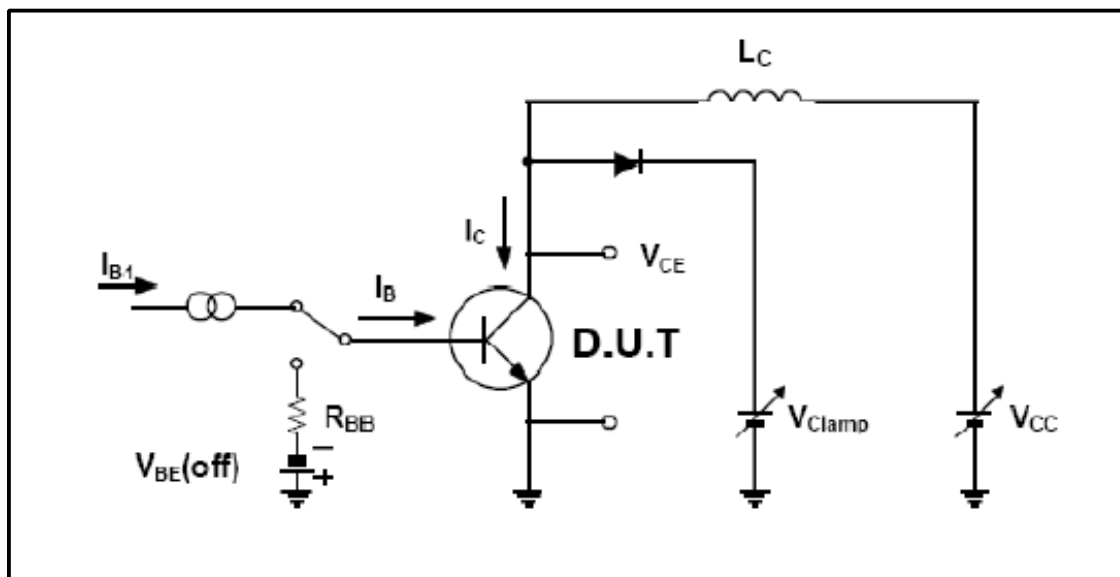


Fig.5 Static Characteristics



Inductive Load Switching & RBSOA Test Circuit



Inductive Load Switching & RBSOA Test Circuit

To-92 Package Dimension

Dim	mm			Inch		
	Min.	Typ.	Max.	Min.	Typ.	Max.
A		4.2			0.165	
B			3.7			0.146
C	4.43		4.83	0.174		0.190
D	14.07		14.87	0.554		0.585
E			0.4			0.016
F	4.43		4.83	0.174		0.190
G			0.45			0.017
H		1.27			0.050	
I		1.27			0.050	
J	0.33		0.48	0.013		0.019

