

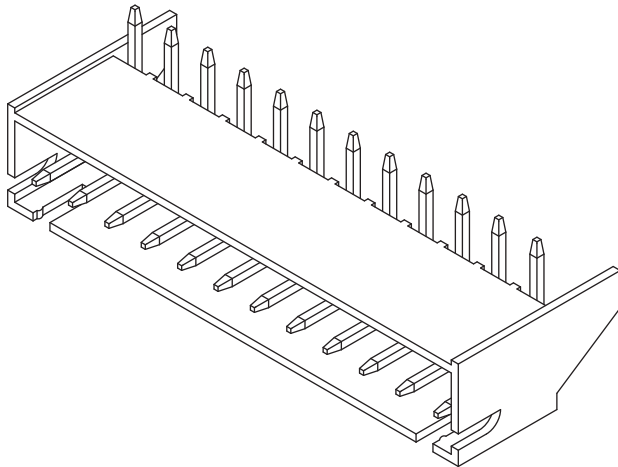
2.50mm (0.098") PITCH CONNECTOR

**Board-to-Board
Wafer**

25043WR-NNB/P Series

DIP

Right Angle



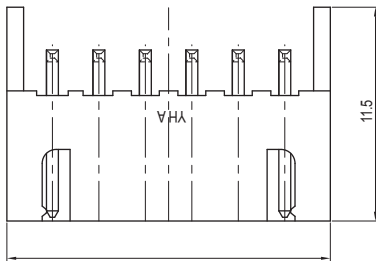
Material

I/NO	DESCRIPTION	TITLE	MATERIAL
1	WAFER	25043WR-NNX	PA66, UL94 V Grade
1	Pin		Brass, Tin-plated

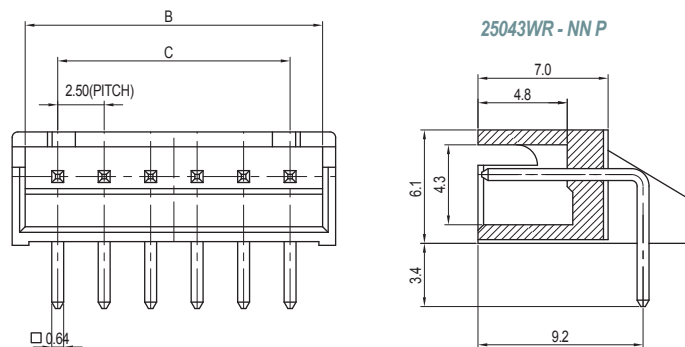
Available Pin

PARTS NO.	A	B	C
25043WR-03B/P	9.90	8.50	5.00
25043WR-04B/P	12.4	11.0	7.50
25043WR-05B/P	14.9	13.5	10.0
25043WR-06B/P	17.4	16.0	12.5
25043WR-07B/P	19.9	18.5	15.0
25043WR-08B/P	22.4	21.0	17.5
25043WR-09B/P	24.9	23.5	20.0
25043WR-10B/P	27.4	26.0	22.5
25043WR-11B/P	29.9	28.5	25.0
25043WR-12B/P	32.4	31.0	27.5
25043WR-13B/P	34.9	33.5	30.0
25043WR-14B/P	37.4	36.0	32.5
25043WR-15B/P	39.9	38.5	35.0

25043WR - NN B

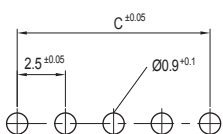


25043WR - NN P

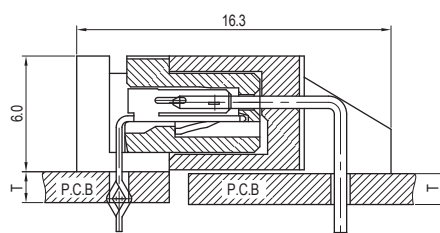


Specification

ITEM	SPEC
Voltage Rating	AC/DC 250V
Current Rating	AC/DC 3A
Operating Temperature	-25°C~+85°C
Contact Resistance	30mΩ MAX
Withstanding Voltage	AC500V/1min
Insulation Resistance	500MΩ MIN
Applicable Wire	-
Applicable P.C.B	1.2mm~1.6mm
Applicable FPC/FFC	-
Solder Height	-
Crimp Tensile Strength	-
UL FILE NO	-



PCB LAYOUT



PCB ASS'Y