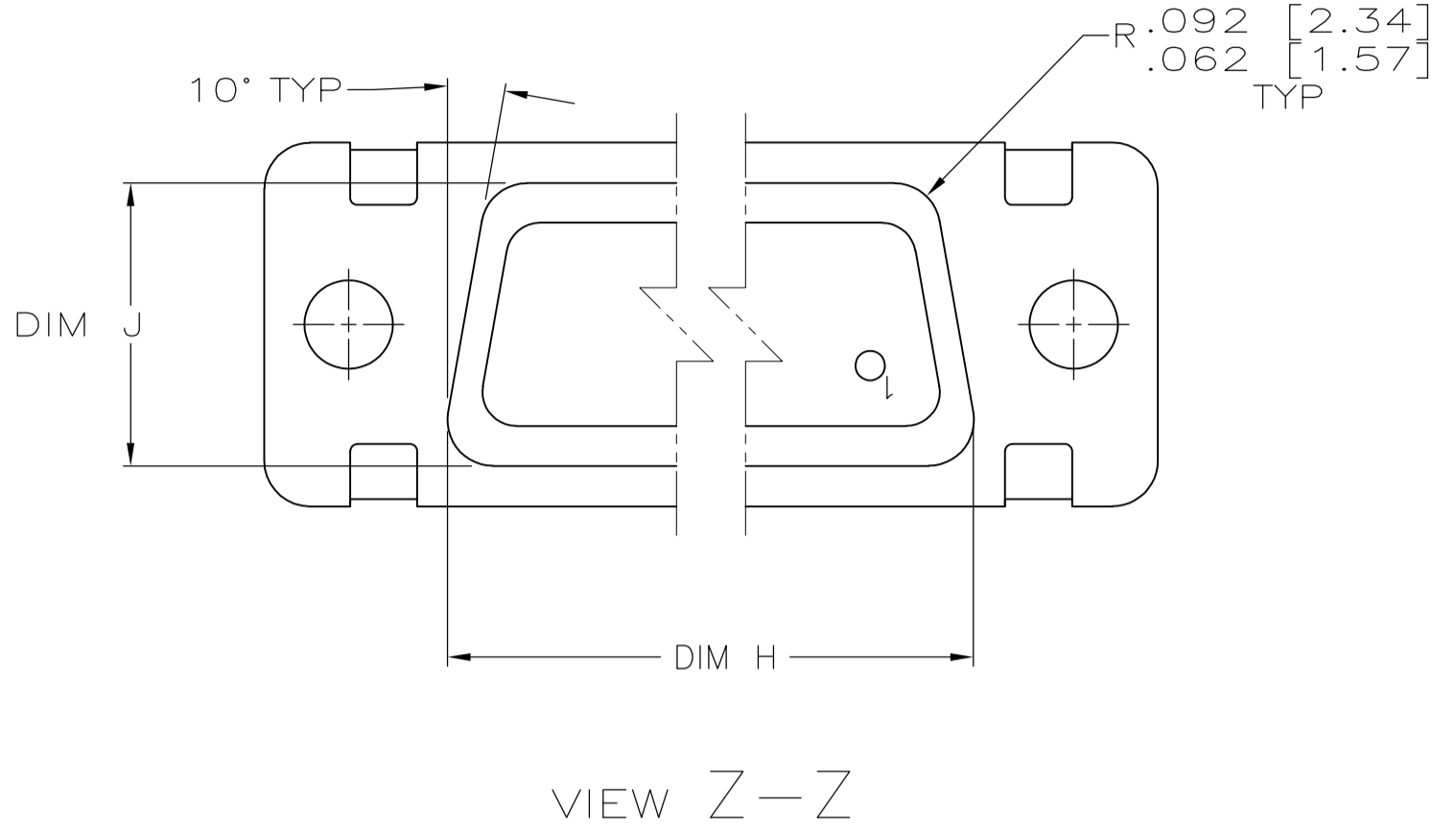
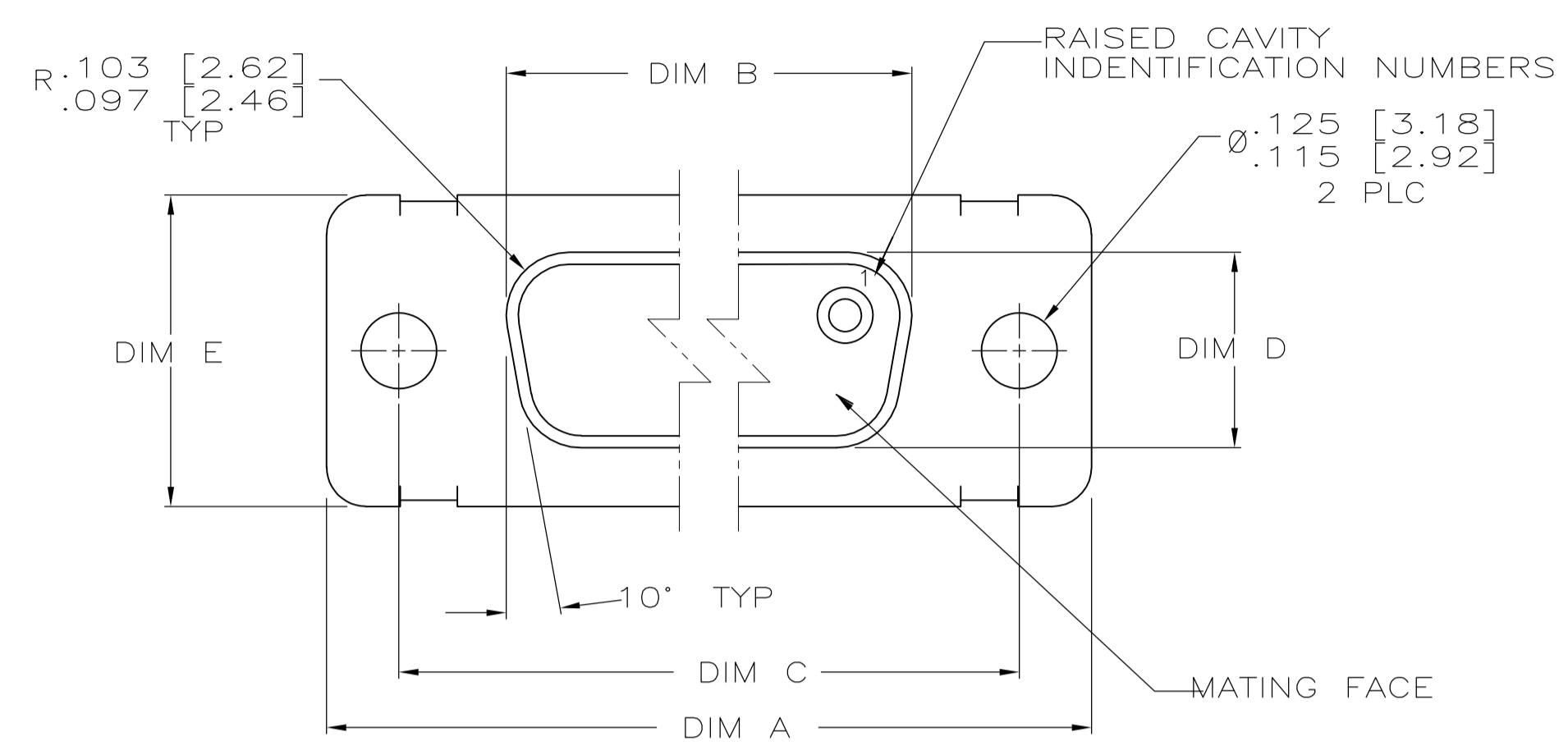
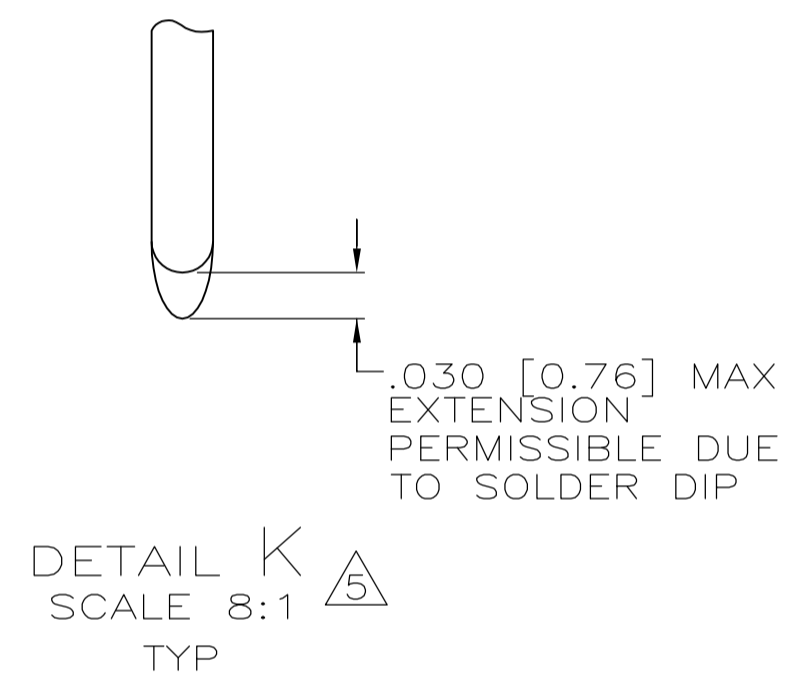
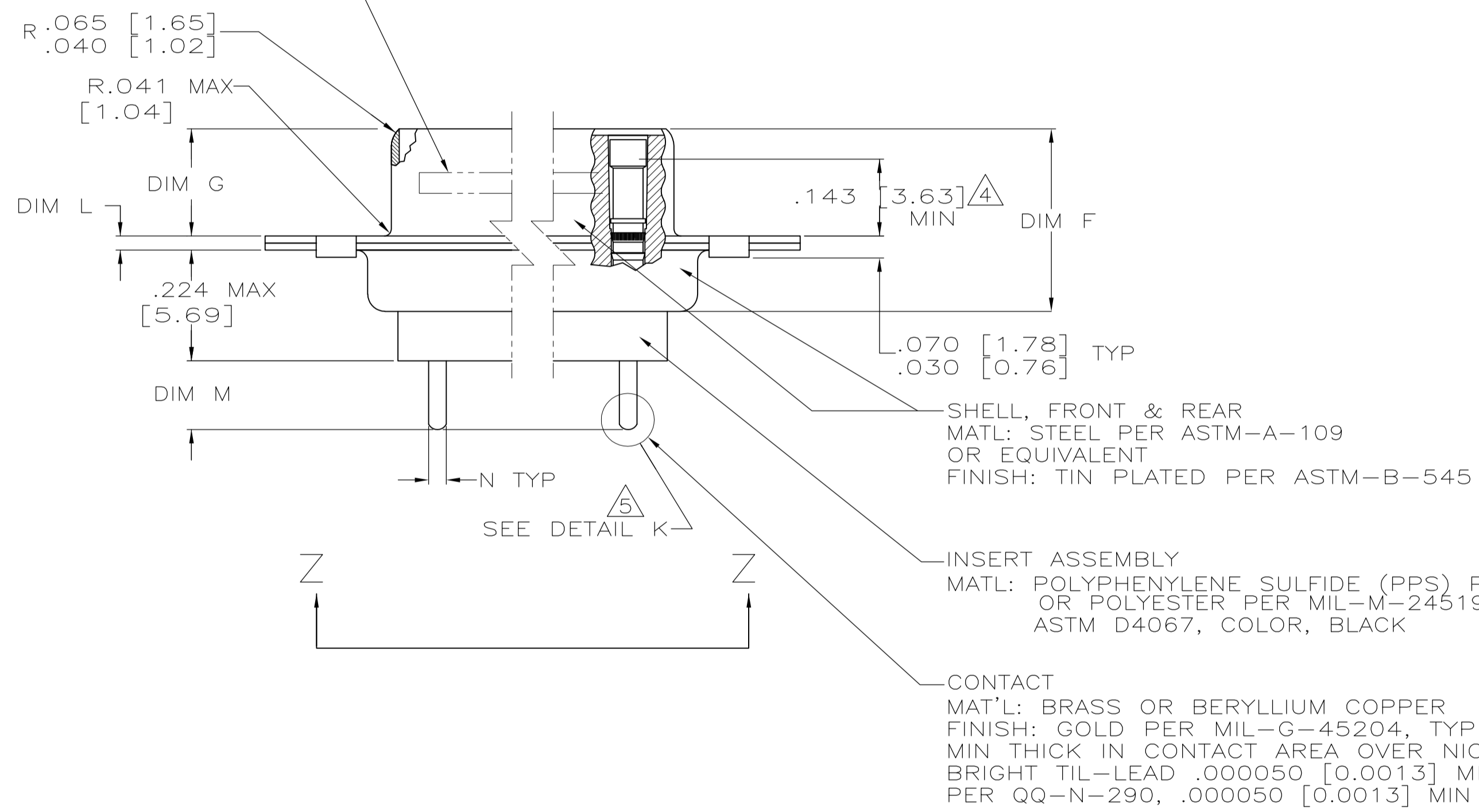


REVISONS		DATE	BY	APPV
C	REVISED PER ECO-09-008889	24-03-09	CT	RL

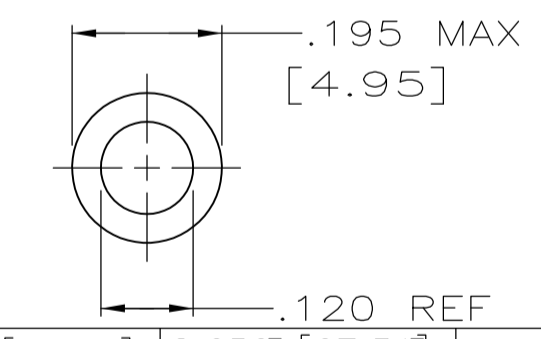
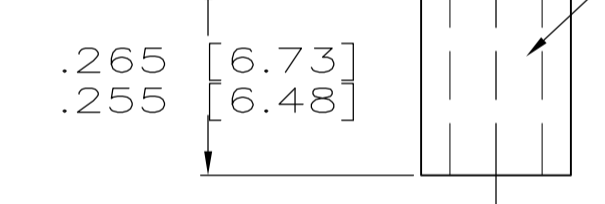


- 1. SEE SHEET 2 FOR RECOMMENDED P.C. BOARD LAYOUT. TRUE POSITION TOLERANCE FOR P.C. BOARD LAYOUT IS .010 [0.25] AT MAX MATERIAL CONDITION. SUGGESTED BOARD THICKNESS IS .125 [3.18]
- 2. THE CONNECTORS DESCRIBED IN THIS DOCUMENT WILL MATE WITH ANY PLUG CONNECTOR WITH THE SAME INSERT ARRANGEMENT.
- 3. MARKED WITH .047 [1.19]-.062 [1.57] HIGH CHARACTERS. FAR SIDE REFERS TO THE WIDE SIDE OF THE KEYSTONE. NEAR SIDE REFERS TO THE NARROW SIDE OF THE KEYSTONE. IF THE FRONT SHELL IS TOO SMALL FOR "TE", TE PART NUMBER AND DATE CODE, THEN SPLIT AS FOLLOWS:
 - A. TE PART NUMBER ON REAR SHELL, NEAR SIDE.
 - B. "TE" AND DATE CODE ON FRONT SHELL, NEAR SIDE.
- 4. POINT OF ELECTRICAL ENGAGEMENT - AS MEASURED WITH A .0390 [0.991]-.0393 [0.998] DIA SQUARE ENDED TEST PIN.
- 5. SOLDER DIPPED PER MIL-STD-2000 COMPOSITION Sn63 CONFORMING TO QQ-S-571. COVERAGE SHALL BE COMPLETE TO A DISTANCE .020 [0.51] MAX FROM INSERT ASSEMBLY.
- 6. SPACERS (QTY 2) ARE SUPPLIED WITH CONNECTORS (NOT ATTACHED TO THE CONNECTOR).
- 7. DIMENSIONS APPLY PRIOR TO SOLDER DIPPING.

3 MARK TE, TE PART NO AND DATE CODE, FAR SIDE.



6 SPACER
MAT'L: ALUMINUM ALLOY PER ASTM-B-211
FINISH: IRIDITE PER MIL-C-5541, CLASS 3, COLOR GOLD



N	M	L	J	H	G	F	E	D	C	B	A	ARRANGEMENT	NO OF POS	SHELL SIZE	TE PN ON CONNECTOR	PART NUMBER
.033 [0.84] .027 [0.69]	.176 [4.47] .136 [3.45]	.040 [1.02] .020 [0.51]	.544 [13.82] .524 [13.31]	2.188 [55.58] 2.168 [55.07]	.248 [6.30] .238 [6.05]	.439 [11.15] .419 [10.64]	.620 [15.75] .590 [14.99]	.428 [10.87] .418 [10.62]	2.411 [61.24] 2.401 [60.99]	2.069 [52.55] 2.059 [52.30]	2.650 [67.51] 2.620 [66.55]	MS18277-1	50	5	1218293-5	1-1218293-0
.033 [0.84] .027 [0.69]	.176 [4.47] .136 [3.45]	.040 [1.02] .020 [0.51]	.432 [10.97] .412 [10.46]	2.282 [57.96] 2.262 [57.45]	.248 [6.30] .238 [6.05]	.439 [11.15] .419 [10.64]	.509 [12.93] .479 [12.17]	.316 [8.03] .306 [7.77]	2.505 [63.63] 2.495 [63.37]	2.164 [54.97] 2.154 [54.71]	2.744 [69.70] 2.714 [68.94]	MS18276-1	37	4	1218293-4	1218293-9
.033 [0.84] .027 [0.69]	.176 [4.47] .136 [3.45]	.040 [1.02] .020 [0.51]	.432 [10.97] .412 [10.46]	1.635 [41.53] 1.615 [41.02]	.248 [6.30] .238 [6.05]	.439 [11.15] .419 [10.64]	.509 [12.93] .479 [12.17]	.316 [8.03] .306 [7.77]	1.857 [47.17] 1.847 [46.91]	1.516 [38.51] 1.506 [38.25]	2.103 [53.42] 2.073 [52.65]	MS18275-1	25	3	1218293-3	1218293-8
.033 [0.84] .027 [0.69]	.176 [4.47] .136 [3.45]	.040 [1.02] .020 [0.51]	.432 [10.97] .412 [10.46]	1.093 [27.76] 1.073 [27.25]	.248 [6.30] .238 [6.05]	.439 [11.15] .419 [10.64]	.509 [12.93] .479 [12.17]	.316 [8.03] .306 [7.77]	1.317 [33.45] 1.307 [33.20]	.976 [24.79] .966 [24.54]	1.556 [39.52] 1.526 [38.76]	MS18274-1	15	2	1218293-2	1218293-7
.033 [0.84] .027 [0.69]	.176 [4.47] .136 [3.45]	.040 [1.02] .020 [0.51]	.432 [10.97] .412 [10.46]	.769 [19.53] .749 [19.02]	.248 [6.30] .238 [6.05]	.439 [11.15] .419 [10.64]	.509 [12.93] .479 [12.17]	.316 [8.03] .306 [7.77]	.989 [25.12] .979 [24.87]	.648 [16.46] .638 [16.21]	1.228 [31.19] 1.198 [30.43]	MS18273-1	9	1	1218293-1	1218293-6
.033 [0.84] .027 [0.69]	.176 [4.47] .136 [3.45]	.040 [1.02] .020 [0.51]	.544 [13.82] .524 [13.31]	2.188 [55.58] 2.168 [55.07]	.248 [6.30] .238 [6.05]	.439 [11.15] .419 [10.64]	.620 [15.75] .590 [14.99]	.428 [10.87] .418 [10.62]	2.411 [61.24] 2.401 [60.99]	2.069 [52.55] 2.059 [52.30]	2.650 [67.51] 2.620 [66.55]	MS18277-1	50	5	1218293-5	1218293-5
.033 [0.84] .027 [0.69]	.176 [4.47] .136 [3.45]	.040 [1.02] .020 [0.51]	.432 [10.97] .412 [10.46]	2.282 [57.96] 2.262 [57.45]	.248 [6.30] .238 [6.05]	.439 [11.15] .419 [10.64]	.509 [12.93] .479 [12.17]	.316 [8.03] .306 [7.77]	2.505 [63.63] 2.495 [63.37]	2.164 [54.97] 2.154 [54.71]	2.744 [69.70] 2.714 [68.94]	MS18276-1	37	4	1218293-4	1218293-4
.033 [0.84] .027 [0.69]	.176 [4.47] .136 [3.45]	.040 [1.02] .020 [0.51]	.432 [10.97] .412 [10.46]	1.635 [41.53] 1.615 [41.02]	.248 [6.30] .238 [6.05]	.439 [11.15] .419 [10.64]	.509 [12.93] .479 [12.17]	.316 [8.03] .306 [7.77]	1.857 [47.17] 1.847 [46.91]	1.516 [38.51] 1.506 [38.25]	2.103 [53.42] 2.073 [52.65]	MS18275-1	25	3	1218293-3	1218293-3
.033 [0.84] .027 [0.69]	.176 [4.47] .136 [3.45]	.040 [1.02] .020 [0.51]	.432 [10.97] .412 [10.46]	1.093 [27.76] 1.073 [27.25]	.248 [6.30] .238 [6.05]	.439 [11.15] .419 [10.64]	.509 [12.93] .479 [12.17]	.316 [8.03] .306 [7.77]	1.317 [33.45] 1.307 [33.20]	.976 [24.79] .966 [24.54]	1.556 [39.52] 1.526 [38.76]	MS18274-1	15	2	1218293-2	1218293-2
.033 [0.84] .027 [0.69]	.176 [4.47] .136 [3.45]	.040 [1.02] .020 [0.51]	.432 [10.97] .412 [10.46]	.769 [19.53] .749 [19.02]	.248 [6.30] .238 [6.05]	.439 [11.15] .419 [10.64]	.509 [12.93] .479 [12.17]	.316 [8.03] .306 [7.77]	.989 [25.12] .979 [24.87]	.648 [16.46] .638 [16.21]	1.228 [31.19] 1.198 [30.43]	MS18273-1	9	1	1218293-1	1218293-1

THIS DRAWING IS A CONTROLLED DOCUMENT.

DIMENSIONS: INCHES
 TOLERANCES UNLESS OTHERWISE SPECIFIED:
 0 PLC ± .0005
 1 PLC ± .0010
 2 PLC ± .0015
 3 PLC ± .0020
 4 PLC ± .0025
 ANGLES ± .5°

MATERIAL: SEE CALLOUTS
 FINISH: SEE CALLOUTS

WEIGHT: —
 CUSTOMER DRAWING: —

DWN: C.C. THOMAS
 CHK: D. HOFFMAN
 APPV: D. HOFFMAN

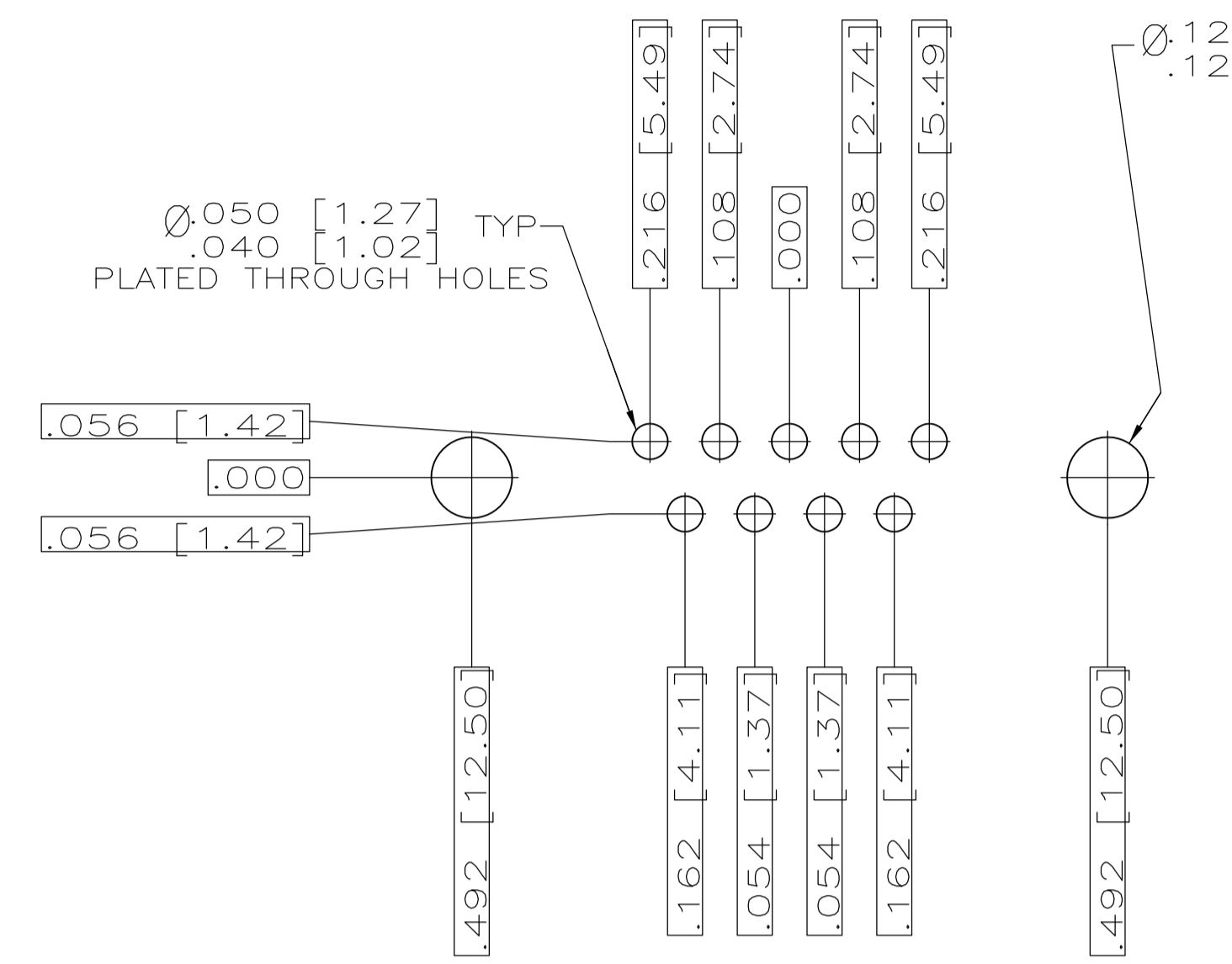
Tyco Electronics Corporation
 Harrisburg, PA 17105-3608

NAME: AMPHIMITE RECEPTACLE ASSY, LOW PROFILE
 SIZE 20 POSTED CONTACTS
 SERIES 109, SIZE 1 THRU 5

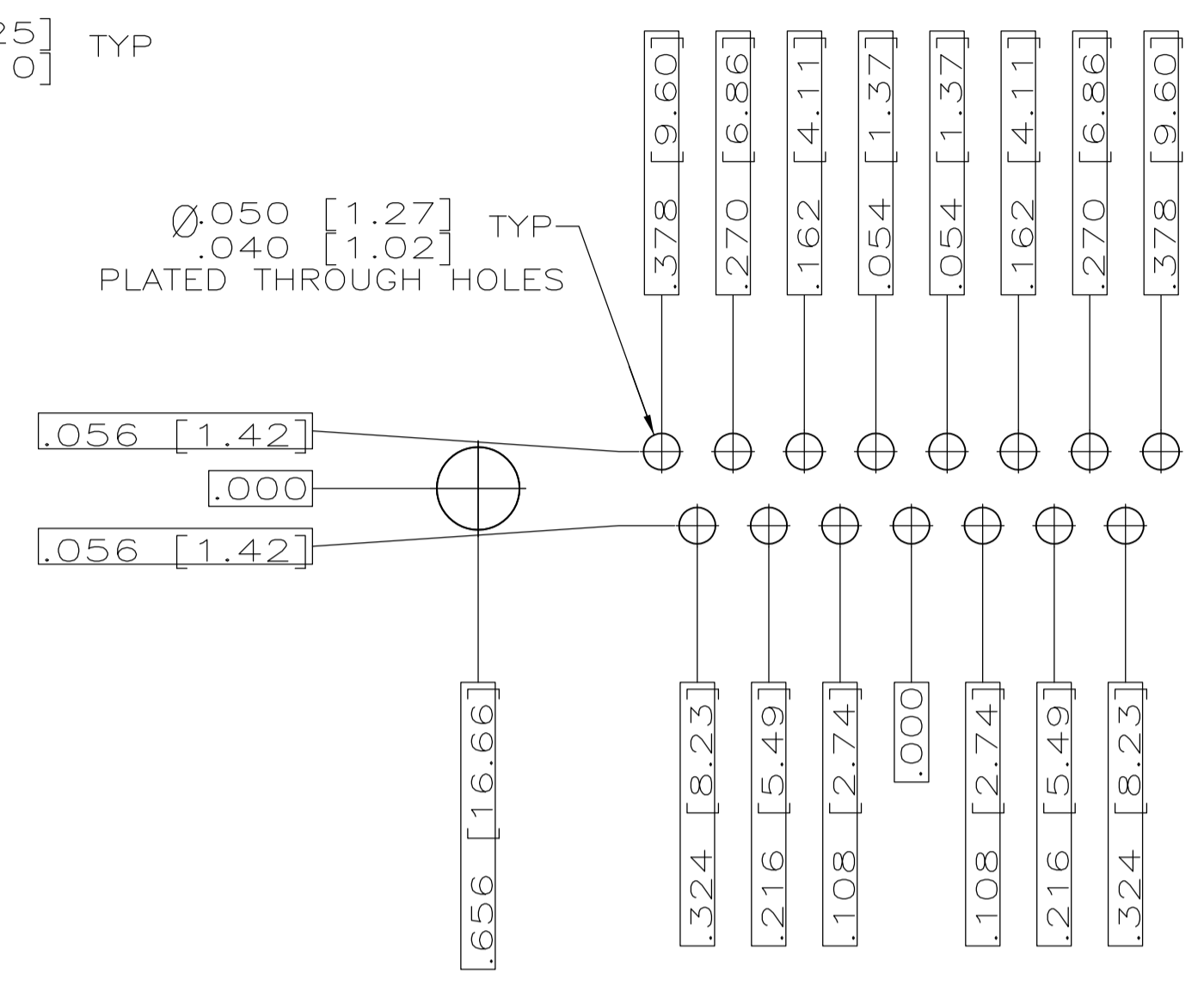
SIZE: A1
 CASE CODE: 00779
 DRAWING NO: 1218293

RESTRICTED TO: —
 SCALE: 1:1
 SHEET: 1 OF 2
 REV: C

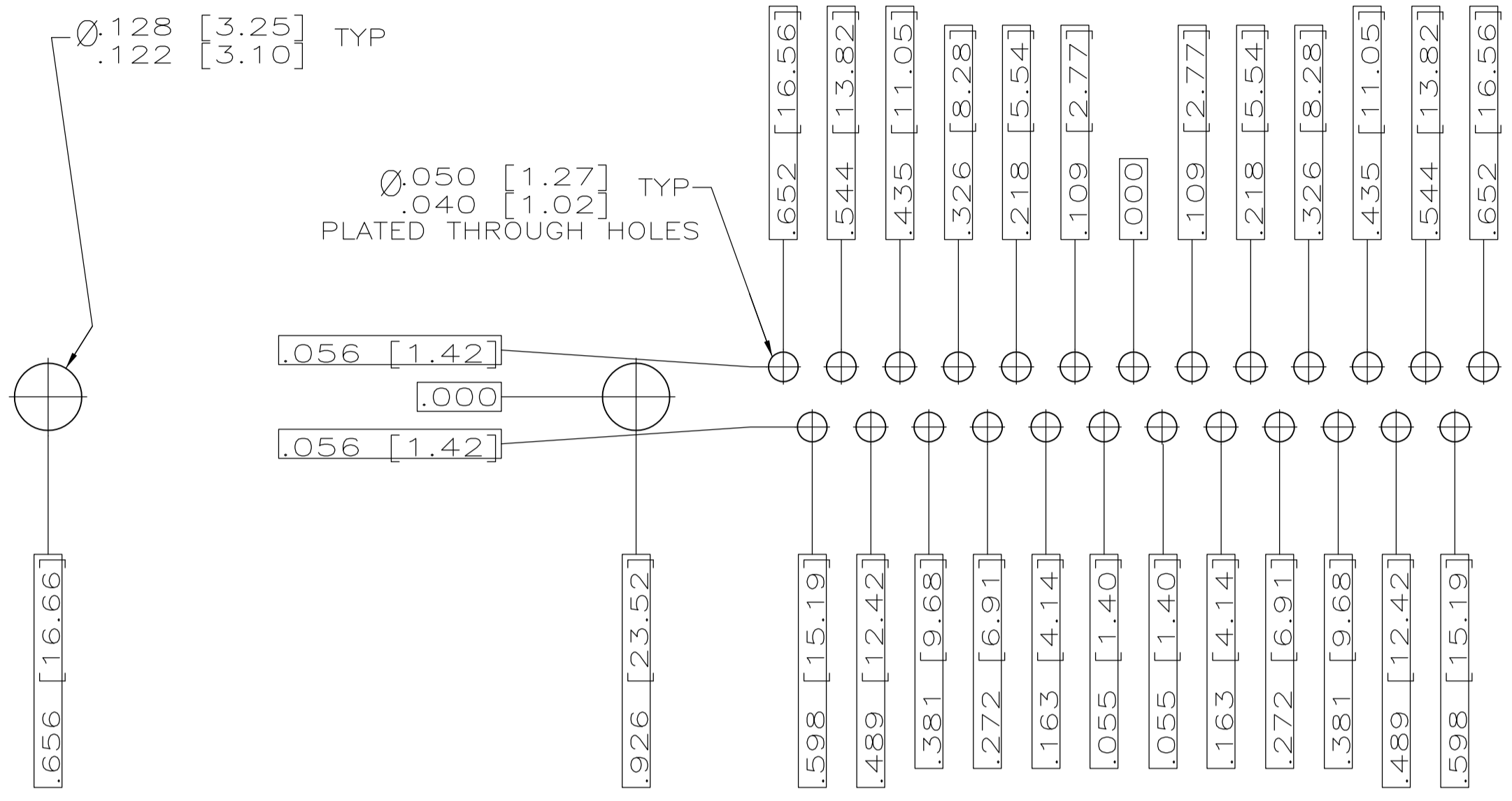
REVISONS		DATE	BY	APPROVED
NO.	DESCRIPTION			
1	SEE SHEET 1	-	-	-



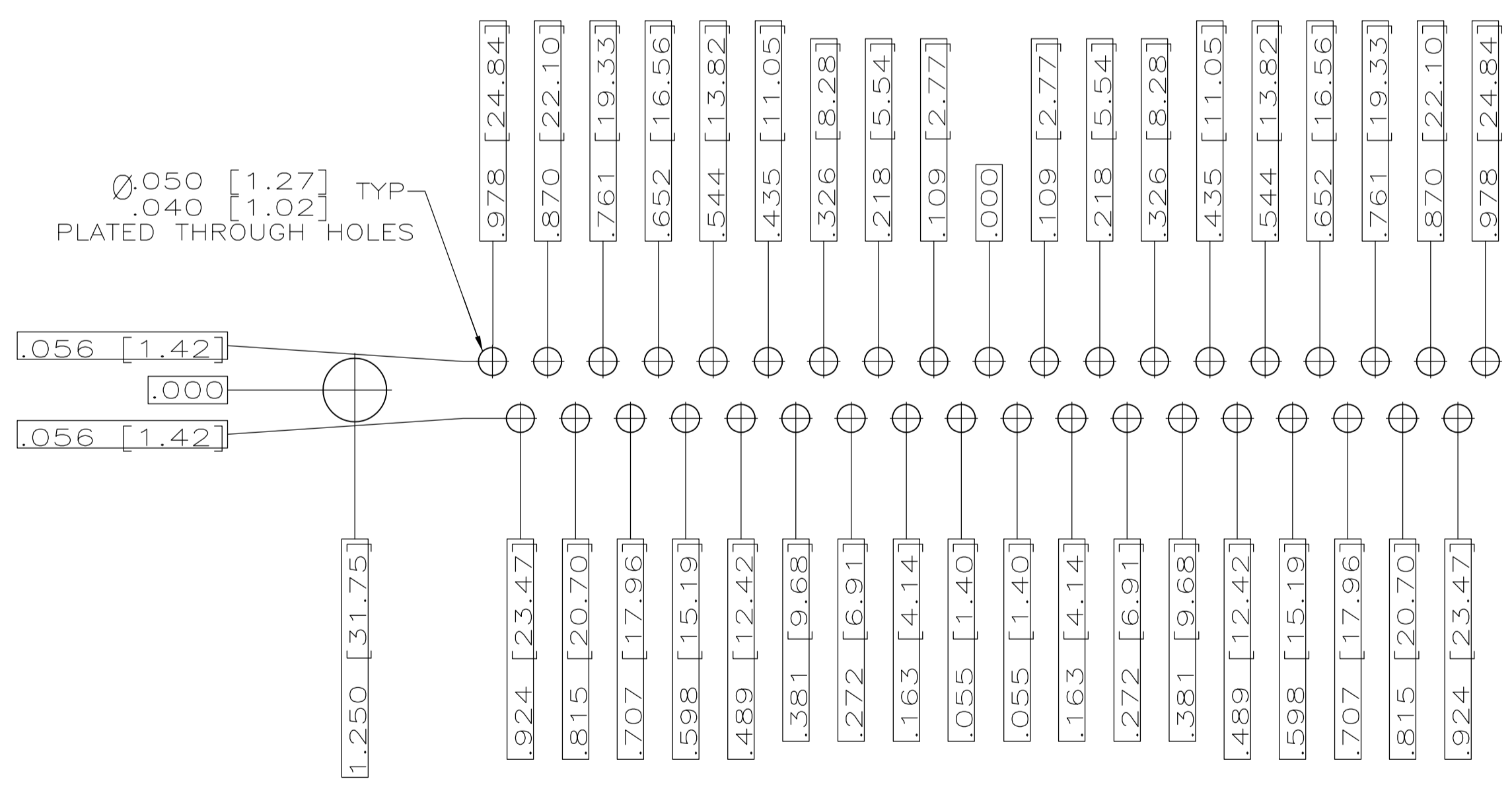
RECOMMENDED P.C. BOARD LAYOUT
SHELL SIZE 1 (9 POSITION) ⚠



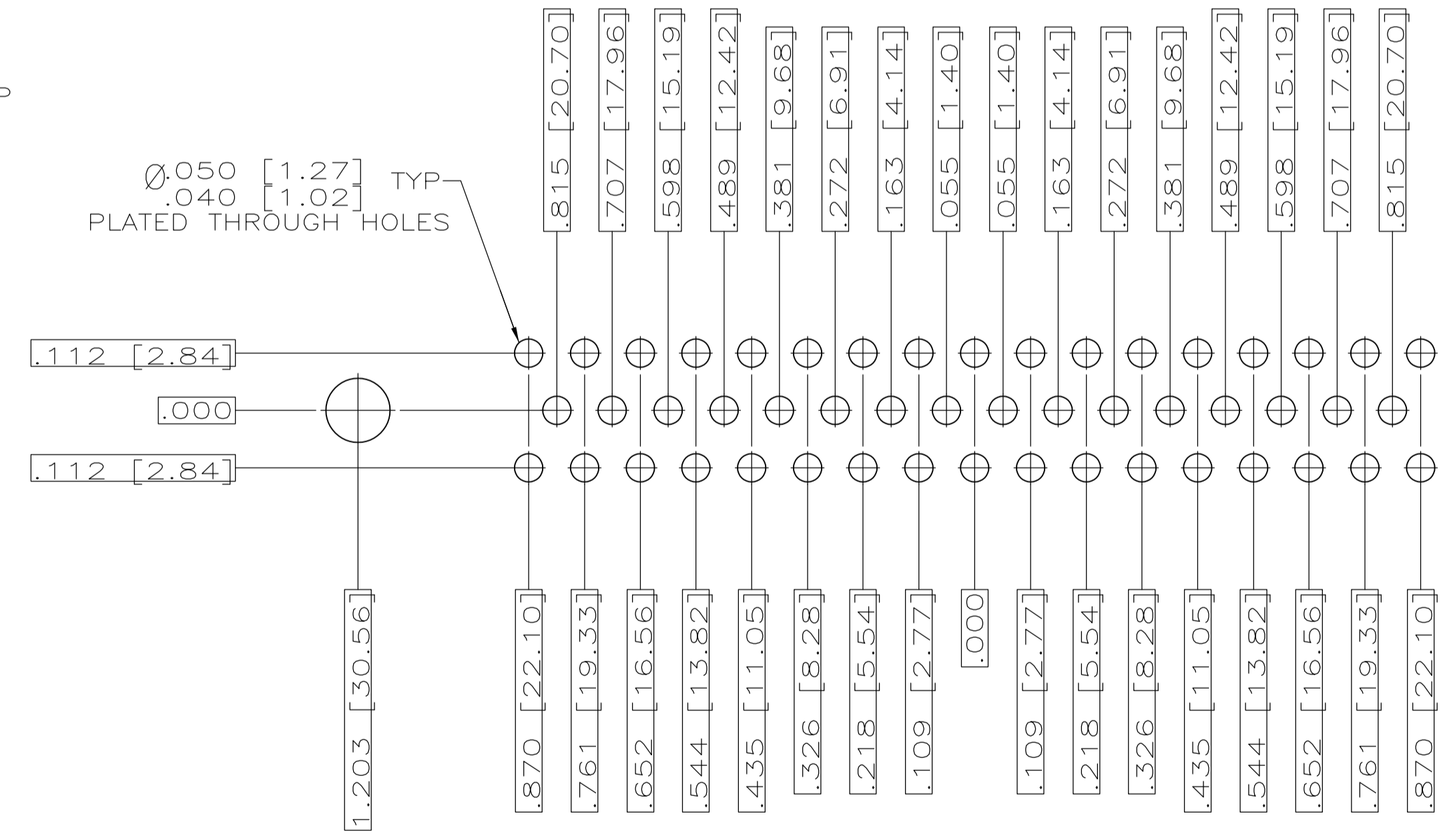
RECOMMENDED P.C. BOARD LAYOUT
SHELL SIZE 2 (15 POSITION) ⚠



RECOMMENDED P.C. BOARD LAYOUT
SHELL SIZE 3 (25 POSITION) ⚠



RECOMMENDED P.C. BOARD LAYOUT
SHELL SIZE 4 (37 POSITION) ⚠



RECOMMENDED P.C. BOARD LAYOUT
SHELL SIZE 5 (50 POSITION) ⚠

THIS DRAWING IS A CONTROLLED DOCUMENT.		DWN: C.C.THOMAS 14OCT99 CHK: D.HOFFMAN 18OCT99 APPR: D.HOFFMAN 18OCT99	Tyco Electronics Corporation Harrisburg, PA 17105-3608
DIMENSIONS: INCHES TOLERANCES UNLESS OTHERWISE SPECIFIED: 0 PL ± .005 1 PL ± .005 2 PL ± .005 3 PL ± .005 4 PL ± .005 RINGS ± .005	MATERIAL: SEE CALLOUTS	FINISH: SEE CALLOUTS	NAME: D.HOFFMAN PRODUCT SPEC: APPLICATION SPEC: SIZE: A1 CAGE CODE: 00779 DRAWING NO: 1218293 WEIGHT: CUSTOMER DRAWING
Tyco Electronics Corporation Harrisburg, PA 17105-3608		AMPLIMITE RECEPTACLE ASSY, LOW PROFILE SIZE 20 POSTED CONTACTS SERIES 109, SIZE 1 THRU 5	
SCALE: 1:1		SHEET 2 OF 2	