

MPC89x54A*8-bit micro-controller*

Features	2
General Description	3
Order Information:	3
Pin Description.....	4
Pin Definition.....	4
Pin Configuration.....	6
Block Diagram	6
Special Function Register	8
Memory	9
Organization.....	9
Nonvolatile Registers:.....	10
RAM	11
Embedded Flash.....	12
Functional Description.....	13
TIMERS/COUNTERS.....	13
TIMER0 (T0) AND TIMER1 (T1)	15
TIMER2	16
Interrupt.....	20
Watchdog Timer.....	22
Serial IO Port (UART).....	23
Reset.....	26
Power Saving Mode and POF.....	26
In System Programming (ISP).....	27
In-Application Program	31
Note for Other SFR.....	32
Absolute Maximum Rating (MPC89E54A)	33
DC Characteristics (MPC89E54A).....	33
Absolute Maximum Rating (MPC89L54A)	34
DC Characteristics (MPC89L54A).....	34
Package Dimension.....	35
Revision History	38

This document contains information on a new product under development by Megawin. Megawin reserves the right to change or discontinue this product without notice.

© Megawin Technology Co., Ltd. 2008 All rights reserved.

2008/12 version A12



Features

- 80C51 Central Processing Unit
- 16KB on-chip program memory
- ISP capability; optional 1KB/2KB/4KB ISP memory shared with *data flash* memory.
- IAP capability; up to 47 K bytes programmable *data flash* available shared with ISP memory.
- On-Chip 256 bytes scratch-pad RAM and 1024 bytes auxiliary RAM; Be capable of addressing up to 64 K bytes external memory
- MOVC-disabling, encrypting, and locking flash memory realize security mechanism.
- Three 16-bits timer/counter, Timer2 is an up/down counter with programmable clock output on P1.0
- Eight sources, four-level-priority interrupt capability
- Enhanced UART, provides frame-error detection and hardware address-recognition
- Dual DPTR for fast-accessing of data memory
- 15 bits Watch-Dog-Timer with 8-bit pre-scalar, one-time enabled
- Power control: Idle mode and Power-Down mode; Power-Down can be woken-up by P3.2/P3.3/P4.2/P4.3
- Low EMI: inhibit ALE emission
- Four 8-bits bi-directional ports; extra four-bit additional P4 are available for PLCC-44 and PQPF-44
- On-Chip flash program/data memory:
 - The data endurance of the embedded flash gets over 20,000 times.
 - Greater than 100 years data retention under room temperature

Operating Voltage:

- 4.5V~5.5V for MPC89E54A

www.DataSheet4U.com - 2.4V~3.6V for MPC89L54A, minimum 2.7V requirement in flash write operation (ISP/ICP/.....)

- Built-in Low-Voltage-Reset circuit.

- Operating Temperature
 - Industrial (-40°C to +85°C)*
 - Maximum Operating Frequency:
 - Optional 12T or 6T mode
 - Up to 48MHz@12T or 24MHz@6T, Industrial range
 - Three package types:
 - PDIP 40: MPC89x54AE
 - PLCC 44: MPC89x54AP
 - PQFP 44: MPC89x54AF
- *: Tested by sampling

General Description

PC89x54A is a single-chip 8-bit microcontroller with the instruction sets fully compatible with industrial-standard 80C51 series microcontroller.

There is 16 Kbytes flash memory embedded for application program. A 47 Kbytes *data flash* is shared by both In-System Programming code and In-Application-Programming code. In-System-Programming and In-Application-Programming allow the users to download new code or data while the microcontroller sits in the running state.

There are 1280 bytes on-chip RAM embedded that are provided to implement wide field applications. The user can configure the device to run in 12 clocks per machine cycle, or 6 clocks per machine cycle to achieve twice performance.

MPC89x54A is built with four 8-bit I/O ports, one 4-bit I/O ports, three 16-bit timer/counters, an eight-source, four-priority-level interrupt structure, an enhanced UART, and on-chip crystal oscillator. It was fabricated in advanced embedded flash CMOS technology.

Excellent flash-endurance, flash-retention, and code-protecting security make MPC89x54A as an excellent microcontroller.

If the supply voltage of the device is lower than 3.7V/2.4V (Operate in the 5V/3V).The device can automatically go to reset, and we have named the Low-Voltage-Reset

Order Information:

Part Number	Temperature Range	Package	Packing	Operation Voltage x : (L/E)
MPC89x54AE	Industrial	PDIP-40	Tube	L:3V / E:5V
MPC89x54AP	Industrial	PLCC-44	Tube	L:3V / E:5V
MPC89x54AF	Industrial	PQFP-44	Tube	L:3V / E:5V

Pin Description

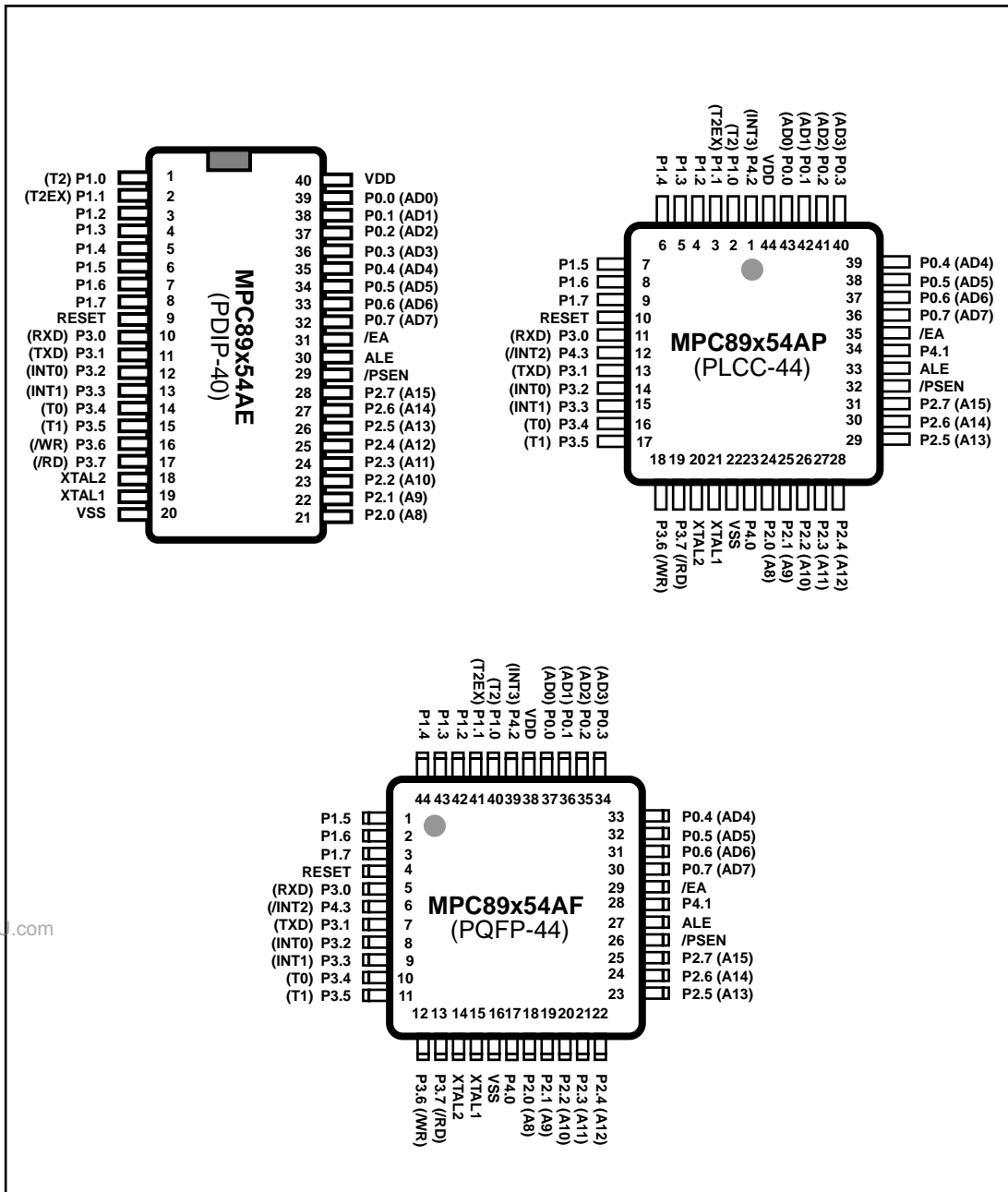
Pin Definition

Pin Name	Pin Number			Type	Description
	DIP-40	PLCC-44	PQFP-44		
P0.0 (AD0)	39	43	37	B	Port0 is an open-drain, bi-directional I/O port. When 1s are written to Port0, they become high-impedance inputs. Port0 is also multiplexed with low-order address or data bus during accesses to external program and data memory.
P0.1 (AD1)	38	42	36		
P0.2 (AD2)	37	41	35		
P0.3 (AD3)	36	40	34		
P0.4 (AD4)	35	39	33		
P0.5 (AD5)	34	38	32		
P0.6 (AD6)	33	37	31		
P0.7 (AD7)	32	36	30		
P1.0 (T2)	1	2	40	BU	General-purposed I/O with weak pull-up resistance inside. When 1s are written into Port1, the strong output driving PMOS only turn-on two clock periods and then the weak pull-up resistance keep the port high. P1.0 is also used as one of event sources for timer2, or output carrier of timer2, alias T2. P1.1 is also used as one of interrupt-controlling sources for time2, alias T2EX.
P1.1 (T2EX)	2	3	41		
P1.2	3	4	42		
P1.3	4	5	43		
P1.4	5	6	44		
P1.5	6	7	1		
P1.6	7	8	2		
P1.7	8	9	3		
P2.0 (A8)	21	24	18	BU	Port2 is an 8-bit bi-directional I/O port with pull-up resistance. Except being as GPIO, Port2 emits the high-order address byte during accessing to external program and data memory.
P2.1 (A9)	22	25	19		
P2.2 (A10)	23	26	20		
P2.3 (A11)	24	27	21		
P2.4 (A12)	25	28	22		
P2.5 (A13)	26	29	23		
P2.6 (A14)	27	30	24		
P2.7 (A15)	28	31	25		
P3.0 (RXD)	10	11	5	BU	General-purposed I/O with weak pull-up resistance inside. When 1s are written into Port1, the strong output driving PMOS only turn-on two clock periods and then the weak pull-up resistance
P3.1 (TXD)	11	13	7		
P3.2 (INT0)	12	14	8		
P3.3 (INT1)	13	15	9		
P3.4 (T0)	14	16	10		

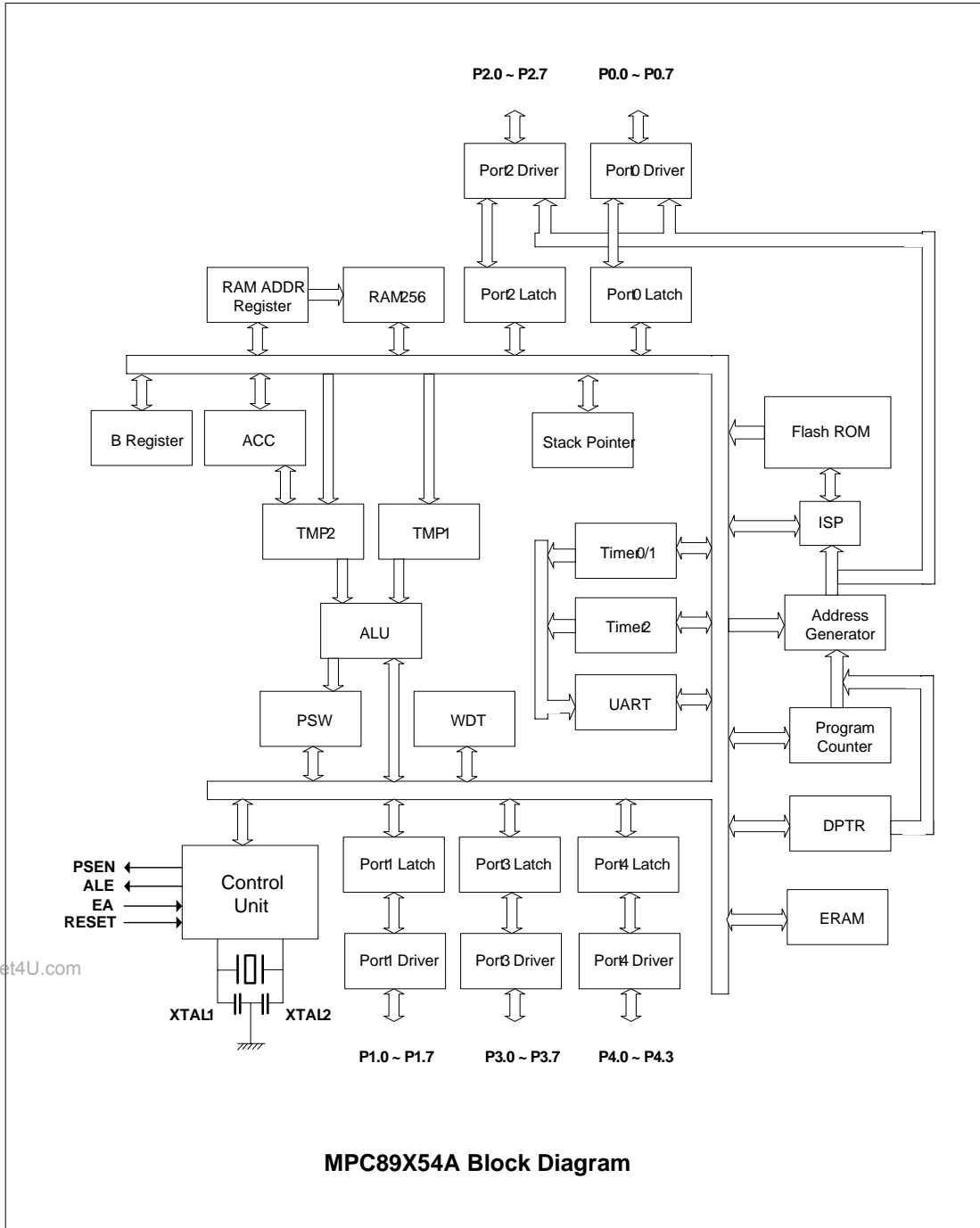
www.DataSheet4U.com

P3.5 (T1)	15	17	11		keep the port high. Port3 also serves other special functions of this device. P3.0 and P3.1 act as receiver and transceiver of the data for UART function block, Alias RXD and TXD. P3.2 and P3.3 also act as external interrupt sources, alias INT0 and INT1. P3.4 and P3.5 also act as event sources for timer0 and timer1 individually, alias T0 and T1. P3.6 also acts as write signal while access to external memory, alias /WR. P3.7 also acts as read signal while access to external memory, alias /RD.
P3.6 (/WR)	16	18	12		
P3.7 (/RD)	17	19	13		
P4.0		23	17	BU	Port4 is extended I/O ports such like Port1. It can be available only on 44L-PLCC and 44L-PQFP package.
P4.1		34	28		
P4.2 (/INT3)		1	39		
P4.3 (/INT2)		12	6		
RESET	9	10	4	IS	A high on this pin for at least two machine cycles will reset the device.
ALE	30	33	27	O	Output pulse for latching the low byte of address during accesses to external memory.
/PSEN	29	32	26	O	The read strobe to external program memory, low active.
/EA	31	35	29	I	EA must be kept at low to enable the device to fetch program code from external flash memory. An internal pull-up resistance has been embedded in this pin.
XTAL1	19	21	15	I	Input to the inverting oscillator amplifier.
XTAL2	18	20	14	O	Output from the inverting amplifier.
VDD	40	44	38	P	Power Supply
VSS	20	22	16	G	Ground

Pin Configuration



Block Diagram



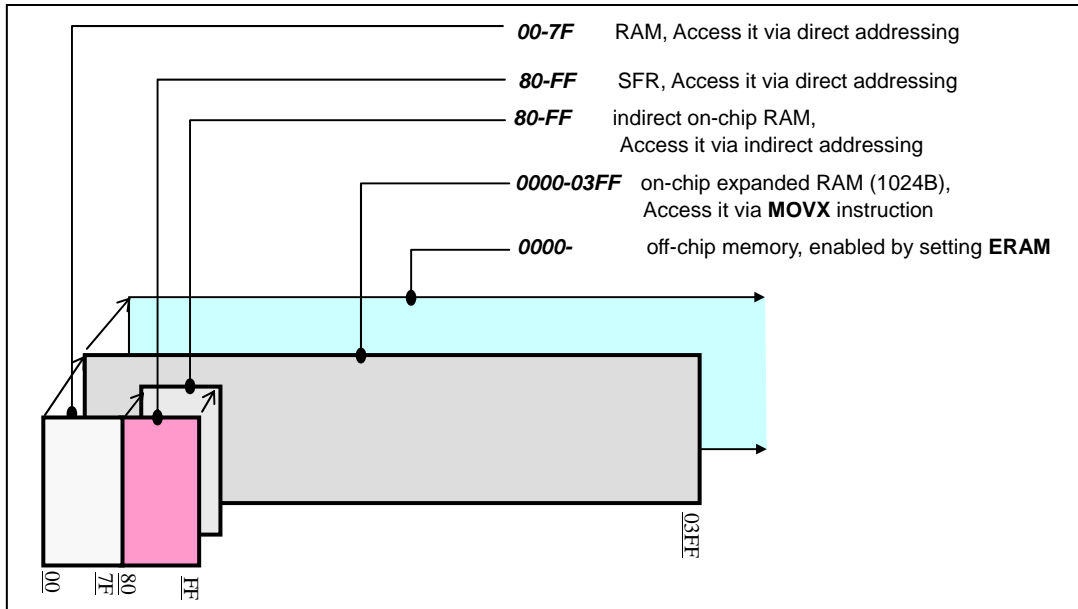
www.DataSheet4U.com

Special Function Register

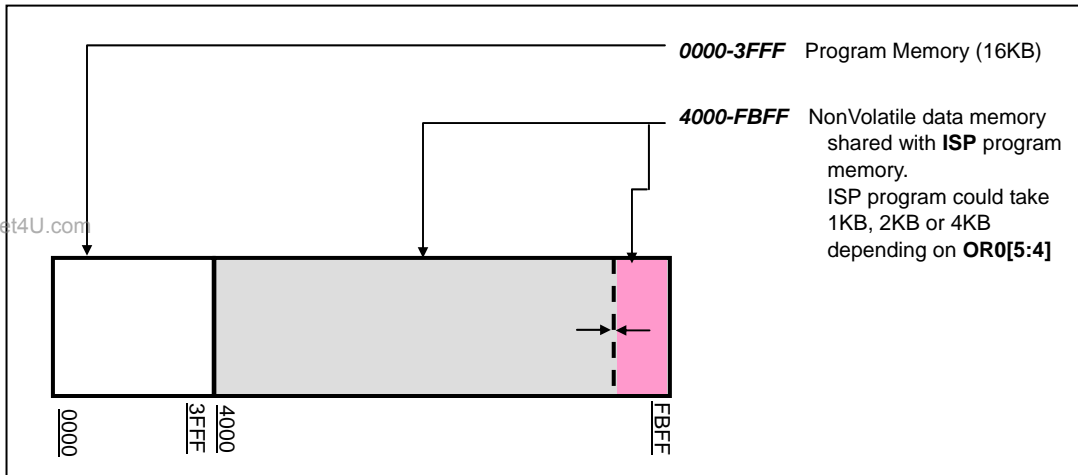
F8								
F0	B							
E8	P4							
E0	ACC	WDTCR	IFD	IFADRH	IFADRL	IFMT	SCMD	ISPCR
D8								
D0	PSW							
C8	T2CON	T2MOD	RCAP2L	RCAP2H	TL2	TH2		
C0	XICON							
B8	IP	SADEN						
B0	P3							IPH
A8	IE	SADDR						
A0	P2		AUXR1					
98	SCON	SBUF						
90	P1			Reserved				
88	TCON	TMOD	TL0	TL1	TH0	TH1	AUXR	
80	P0	SP	DPL	DPH				PCON

SYMBOL	DESCRIPTION											INITIAL VALUE	
P0	Port 0											11111111B	
SP	Stack Pointer											00001111B	
DPL	Data Pointer Low											00000000B	
DPH	Data Pointer High											00000000B	
PCON	Power Control	SMOD	SMOD0	-	POF	GF1	GF0	PD	IDL			01110000B	
TCON	Timer Control	TF1	TR1	TF0	TR0	IE1	IT1	IE0	IT0			00000000B	
TMOD	Timer Mode	GATE	C/T	M1	M0	GATE	C/T	M1	M0			00000000B	
TL0	Timer Low 0											00000000B	
TL1	Timer Low 1											00000000B	
TH0	Timer High 0											00000000B	
TH1	Timer High 1											00000000B	
AUXR	Auxiliary								ERAM	AO			xxxxx00B
P1	Port 1								T2EX	T2			11111111B
SCON	Serial Control	SM0/FE	M1	SM2	REN	TB8	RB8	TI	RI			00000000B	
SBUF	Serial Buffer											xxxxxxxxxB	
P2	Port 2											11111111B	
AUXR1	Auxiliary 1						GF2	DPS					xxx0xx0B
IE	Interrupt Enable	EA	ET2		ES	ET1	EX1	ET0	EX0			00000000B	
SADDR	Slave Address											00000000B	
P3	Port 3	RD	WR	T1	T0	INT1	INT0	TXD	RXD			11111111B	
IPH	Interrupt Priority High	PX3H	PX2H	PT2H	PSH	PT1H	PX1H	PT0H	PX0H			x0000000B	
IP	Interrupt Priority Low					PT2	PS	PT1	PX1	PT0	PX0		x0000000B
SADEN	Slave Address Mask											00000000B	
XICON	External Interrupt Control	PX3	EX3	IE3	IT3	PX2	EX2	IE2	IT2				
T2CON	Timer 2 Control	TF2	EXF2	RCLK	TCLK	EXEN2	TR2	C/T2	CP/RL			00000000B	
T2MOD	Timer2 mode								T2OE	DCEN			xxxxxx00B
RCAP2L	Timer2 Capture Low											00000000B	
RCAP2H	Timer2 Capture High											00000000B	
TL2	Timer Low 2											00000000B	
TH2	Timer High 2											00000000B	
PSW	Program Status Word	CY	AC	F0	RS1	RS0	OV	-	P			00000000B	
ACC	Accumulator											00000000B	
WDTCR	Watch-dog-timer Control register	-	-	ENW	CLW	WIDL	PS2	PS1	PS0			xx000000B	
IFD	ISP Flash data											11111111B	
IFADRH	ISP Flash Address High											00000000B	
IFADRL	ISP Flash Address Low											00000000B	
IFMT	ISP Mode Table	-	-	-	-	-	MS2	MS1	MS0			xxxxx000B	
SCMD	ISP Serial Command											xxxxxxxxxB	
ISPCR	ISP Control Register	ISPEN	BS	SRST	-	-	ICK2	ICK1	ICK0			000xx000B	
P4	Port 4	-	-	-	-	EBH	EAH	E9H	E8H			xxxx1111B	
B	B Register											00000000B	

Memory Organization



Address Space for MPC89x54A RAM



Address Space for MPC89x54A Embedded Flash Memory

Bit-7	Bit-6	Bit-5	Bit-4	Bit-3	Bit-2	Bit-1	Bit-0
		ISPAS1	ISPAS0	-	MOVCL	SB	LOCK

Non-volatile register OR0

7	6	5	4	3	2	1	0
FZWDTCR			OSCDN			HWBS	EN6T

Non-volatile register OR1

Nonvolatile Registers:

There are two Nonvolatile Registers named **OR0** and **OR1** individually. They are designed to configure the MPC89x54A options.

Generally these two nonvolatile registers will be written via a popular NVM writer, i.e., Hi-Lo System All-11, Leaper-48 and Megawin-Provided MCU writer. Furthermore, the user can change the NVM register **OR1** by the ISP program in a manner as same as writing the *data flash*, but **OR0** can only be written via an off-line popular NVM writer.

NVM register: OR0 (Option Register 0):

Bit-7	Bit-6	Bit-5	Bit-4	Bit-3	Bit-2	Bit-1	Bit-0
-	-	ISPAS1	ISPAS0	-	MOVCL	SB	LOCK

{**ISPAS1**, **ISPAS0**}: Used to identify the start address for ISP program

{0, 0}:= The ISP space is from 0xEC00 to 0xFBFF (4K size).

{0, 1}:= The ISP space is from 0xF400 to 0xFBFF (2K size).

{1, 0}:= The ISP space is from 0xF800 to 0xFBFF (1K size)

{1, 1}:= No ISP space.

These two bits decide where the ISP program locates, and how the ISP program and the *data flash* shares the 47K embedded flash.

MOVCL: Used to determine if MOVC instruction will be disabled.

0:= MOVC is conditionally disabled.

1:= MOVC is always available.

SB: Used to determine if the program code will be scrambled while it is dumped.

0:= Code dump from Writer is scrambled.

1:= Code dump from Writer is transparent.

www.DataSheet4U.com

LOCK: Used to determine if the program code will be locked against the popular writer.

0:= lock code.

1:= does not lock code

if the code is locked, all the data dumped from a popular will always show FFh.

Please check file "initial Configuration.pdf" to get the default value of the OR0.

NVM register: OR1 (Option Register 1):

Bit-7	Bit-6	Bit-5	Bit-4	Bit-3	Bit-2	Bit-1	Bit-0
FZWDTCR			OSCDN			HWBS	EN6T

FZWDTCR: Used to freeze the WDT-controlling register.

0:=Configure the SFR **WDTCR** to be reset only via power-up action, not by software reset nor reset from the Watch Dog Timer.

1:=(default) Permit all the reset events from power-up, software and the Watch Dog Timer could reset the SFR **WDTCR**.

OSCDN: Used to adjust the behavior of crystal oscillator.

0:= The DC gained of crystal oscillator amplifier is doubled but bandwidth is reduced. It will bring help to EMI reducing and improve the power consumption. Dealing with application does not need high frequency clock (under 20MHz), and it is recommended to do so.

1:= The gained of crystal oscillator is enough for oscillator to start oscillating up to 48 MHz.

HWBS: Used to configure the MPC89x54A boot from ISP program or normal application program after the power-on sequence.

0:= The MPC89x54A will boot from ISP start address after power-on.

1:= No operation. The MPC89x54A will boot from normal application program.

EN6T: Used to configure the MPC89x54A run in 6T 12T mode or 6T mode.

0:= The MPC89x54A will run in 6T mode

1:= The MPC89x54A will run in 12T mode

The default value of the **OR1** is *FFh*.

RAM

There are 1280 bytes RAM built in MPC89x54A.

www.DataSheet4U.com

The user can visit the leading 128-byte RAM via direct addressing instructions, we have named those RAM as *direct RAM* that occupies address space 00h to 7Fh.

Followed 128-byte RAM can be visited via indirect addressing instructions, we have named those RAM as *indirect RAM* that occupied address space 80h to FFh.

The other 1024-byte RAM is named expanded RAM that still occupied address space 0000h to 03FFh. An user can access it via general register **R_i**, or via data pointers **DPTR** associated with **MOVX** instructions, say **MOVX A, @R1** or **MOVX A, @DPTR**. To reserve the natural characteristic of instruction **MOVX** which is designed to access external memory, the user can set the bit **ERAM** in SFR **AUXR** as 1, and by doing so is to hide the *expanded RAM* and to visit the external memory.

Embedded Flash

There is totally 63 K bytes flash embedded in the MPC89x54A.

The leading 16 K bytes flash memory is designed for storage of the user program, and followed 47 K bytes flash memory is shared with nonvolatile *data flash* and ISP program.

While the program counter of MPC89x54A is spanning over 3FFFh, the device will fetch its program code from the external memory at once ignoring the **/EA** pin status. In that case, it will never fetch the program code from the following embedded flash.

The user can develop the ISP program and put it into the embedded flash that addressed from EC00h, F400h, or F800h by configuring **OR0 [5:4]**. Excluding the ISP program, the remained flash spaces can be taken as *data flash* which can be read, even written by the application program or the ISP program from the user.

Functional Description

TIMERS/COUNTERS

MPC89x54A has three 16-bit timers, and they are named **T0**, **T1** and **T2**. Each of them can also be used as a general event counter, which counts the transition from 1 to 0.

While **T0/T1/T2** is used as “timer” function, the time unit that used to measure the timer is *machine cycle*. A machine cycle equals 12 or 6 oscillator periods, and it depends on 12T mode or 6T mode that the user configured this device.

While **T0/T1/T2** is used as “1-0 event counter” function, the counting event is the “high-to-low transition” of primitive pin **T0/T1/T2**. In this mode, the device periodically samples the status of pin **T0/T1/T2** once for each machine cycle. Whenever the sampled result turns from 1 to 0, the device will count once on the counter. Be carefully, this kind of implementation for the counter requires the high-duty or low-duty from pin **T0/T1/T2** and must not too short compared to a machine cycle.

There are two SFR designed to configure timers **T0** and **T1**. They are **TMOD**, and **TCON**.

There are extra two SFR designed to configure timer **T2**. They are **T2MOD**, and **T2CON**.

SFR: **TMOD**

Bit-7	Bit-6	Bit-5	Bit-4	Bit-3	Bit-2	Bit-1	Bit-0
(for timer1 use)				(for timer0 use)			
GATE	C//T	M1	M0	GATE	C//T	M1	M0

www.DataSheet4U.com

GATE: Gating control when set. If **GATE**=1, Timer/Counter *x* is enabled only while “/INT*x*” pin is high and “TR*x*” control bit is set. When cleared Timer *x* is enabled whenever “TR*x*” control bit is set.

C//T: Timer or Counter function selector. *0*: =timer, *1*: =counter

{M1, M0}: mode select

{0, 0}: = 13-bit timer/counter for Timer0 and Timer1

{0, 1}: = 16-bit timer/counter for Timer0 and Timer1

{1, 0}: = 8-bit timer/counter with automatic reload for Timer0 and Timer1

{1, 1}: = for Timer0: = TL0 is 8-bit timer/counter, TH0 is locked into 8-bit timer
for Timer1:= Timer/Counter1 Stopped

SFR: TCON

Bit-7	Bit-6	Bit-5	Bit-4	Bit-3	Bit-2	Bit-1	Bit-0
TF1	TR1	TF0	TR0	IE1	IT1	IE0	IT0

TF1: = Timer1 overflow flag. Set by hardware on Timer/Counter overflow. Cleared by hardware when the processor vectors to the interrupt routine, or clearing the bit in software.

TR1: = Timer1 run control bit. Set/Cleared by software.

TF0: = Timer0 overflow flag. Set by hardware on Timer/Counter overflow. Cleared by hardware when the processor vectors to the interrupt routine, or clearing the bit in software.

TR0: = Timer1 run control bit. Set/Cleared by software.

IE1: = Interrupt 1 Edge flag. Set by hardware when external interrupt edge detected. Cleared when interrupt processed.

IT1: = Interrupt 1 type control bit. Set/Cleared by software to specified falling edge/low level triggered interrupt.

IE0: = Interrupt 0 Edge flag. Set by hardware when external interrupt edge detected. Cleared when interrupt processed.

IT0: = Interrupt 0 type control bit. Set/Cleared by software to specified falling edge/low level triggered interrupt.

SFR: T2MOD

Bit-7	Bit-6	Bit-5	Bit-4	Bit-3	Bit-2	Bit-1	Bit-0
						T2OE	DCEN

T2OE: Timer 2 Output Enable bit. It enables Timer2 overflow rate to toggle P1.0.

DCEN: Down Count Enable bit. When set, this allows Timer2 to be configured as a down counter.

SFR: T2CON

Bit-7	Bit-6	Bit-5	Bit-4	Bit-3	Bit-2	Bit-1	Bit-0
TF2	EXF2	RCLK	TCLK	EXEN2	TR2	C//T2	CP/RL2

TF2: Timer2 overflow flag. It will be set by a Timer2 overflow and must be cleared by software. TF2 will not be set when either **TCLK** or **RCLK** =1.

EXF2: Timer2 external flag. It will be set when either a capture or reload is caused by a negative transition on pin **T2EX** and **EXEN2**=1. When Timer2 interrupt is enabled, **EXF2**=1 will cause the CPU to vector to the timer2 interrupt routine. **EXF2** must be cleared by software. **EXF2** does not cause an interrupt in Auto-Reload Up-Down mode (**ARUD**).

RCLK: When set causes the serial port to use Timer2 overflow pulse for its receive clock in mode 2 and mode 3. **RCLK**=0 causes Timer1 overflow pulse to be used.

TCLK: When set causes the serial port to use Timer2 overflow pulse for its transmit clock in mode 1 and mode 3. **RCLK**=0 causes Timer1 overflow pulse to be used.

EXEN2: Timer-2 external enable flag. When set, allows a capture or reload to occur. As a result of a negative transition on **T2EX** if Timer2 is not being used to clock the serial port. **EXEN2**=0 causes Timer2 to ignore events at **T2EX**.

TR2: Start/Stop control for Timer2.

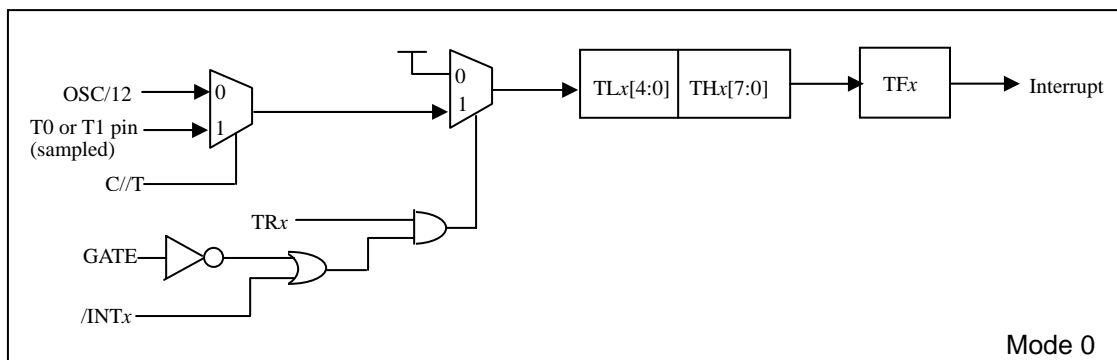
C/T2: Timer or counter select. 0 is for timer and 1 is for external event counter.

CP/RL2: Capture/Reload flag. When set, captures will occur on a negative transition at **T2EX** if **EXEN2=1**. When cleared, auto-reloads will occur either with Timer2 overflows or a negative transition at **T2EX** when **EXEN2=1**. When either **TCLK** or **RCLK** is 1, this bit is ignored and the timer is forced to auto-reload on Timer2 overflow.

TIMER0 (T0) AND TIMER1 (T1)

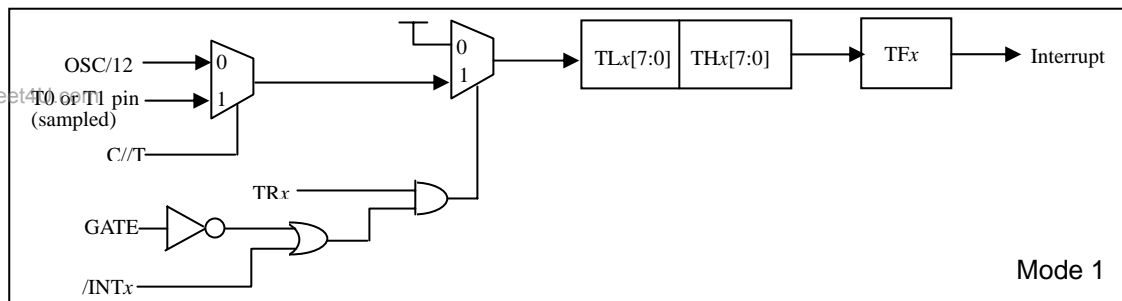
Mode 0

The timer register is configured as a 13-bit register. As when the count rolls over from all 1s to all 0s, it sets the timer interrupt flag **TFx**. The counted input is enabled to the timer when **TRx = 1** and either **GATE=0** or **INTx = 1**. Mode 0 operation is the same for Timer0 and Timer1.



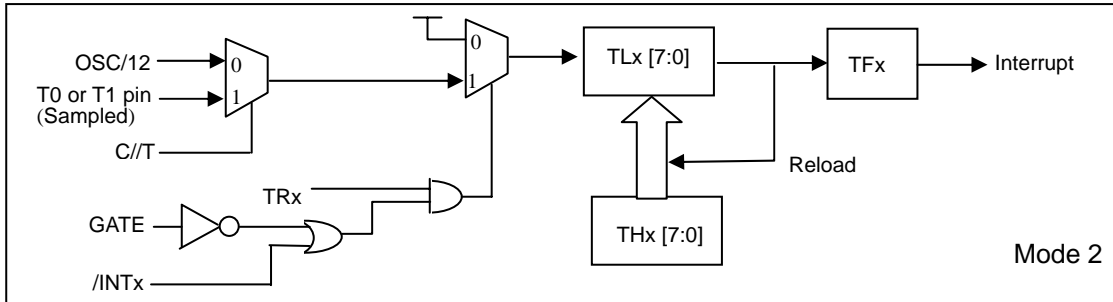
Mode 1

Mode1 is the same as Mode0, except that the timer register is being run with all 16 bits.



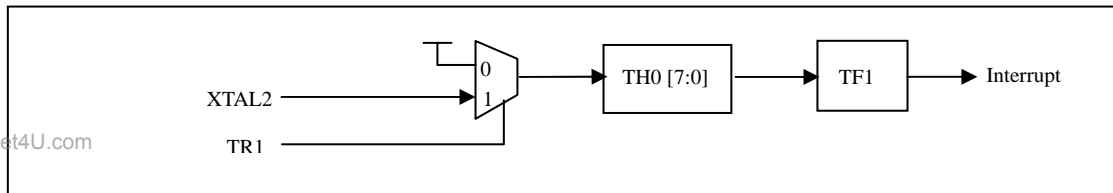
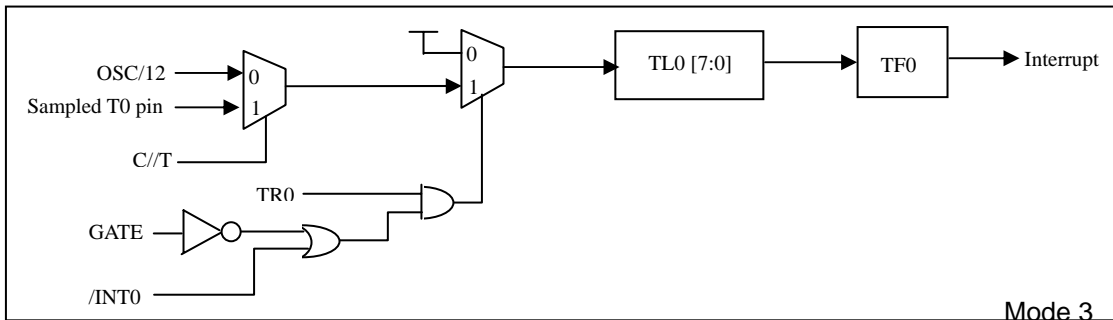
Mode 2

Mode 2 configures the timer register as an 8-bit counter (TLx) with automatic reload. Overflow from TLx does not only set TFx, but also reloads TLx with the content of THx, which is determined by user's program. The reload leaves THx unchanged. Mode 2 operation is the same for Timer0 and Timer1.



Mode 3

Timer1 in Mode3 simply holds its count, the effect is the same as setting TR1 = 1. Timer0 in Mode 3 enables TL0 and TH0 as two separate 8-bit counters. TL0 uses the Timer0 control bits such like C/T, GATE, TR0, INT0 and TF0. TH0 is locked into a timer function (can not be external event counter) and take over the use of TR1, TF1 from Timer1. TH0 now controls the Timer1 interrupt.



TIMER2

Timer2 is a 16-bit timer/counter which can operate as either an event timer or an event counter as selected by **C/I/T2** in the special function register **T2CON**. Timer2 has four operation modes: Capture Mode (CP), Auto-Reload Up/Down Mode (ARUD), Auto-Reload Up-Only mode (ARUO) and Baud-Rate Generator Mode (BRG).

Logical OR (RCLK, TCLK)	CP/RL2	TR2	DCEN	Mode
x	x	0	x	OFF
1	x	1	0	Baud-Rate Generation
0	1	1	0	Capture
0	0	1	0	Auto-Reload Up-only
0	0	1	1	Auto-Reload Up/Down

Timer2 Mode Table

Timer2 is also can be configured as a periodical signal generator.

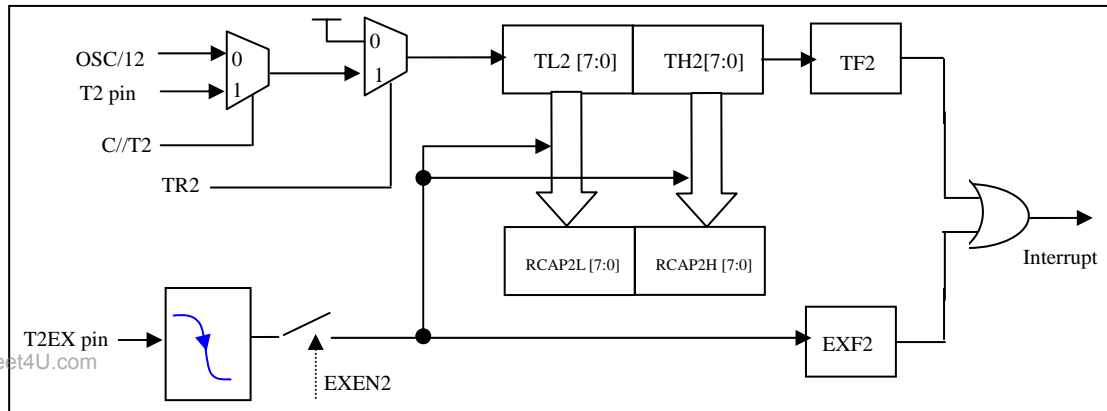
The MPC89x54A is able to generate a programmable clock output on P1.0. When T2OE bit is set and C//T2 bit is cleared, Timer2 overflow pulse will generate a 50% duty clock and output that to P1.0. The frequency of clock-out is calculated according to the following formula.

$$\frac{\text{Oscillator frequency}}{4 \times (65536 - \text{RCAP2H}, \text{RCAP2L})}$$

In the clock-out mode, Timer2 rollovers will not generate an interrupt.

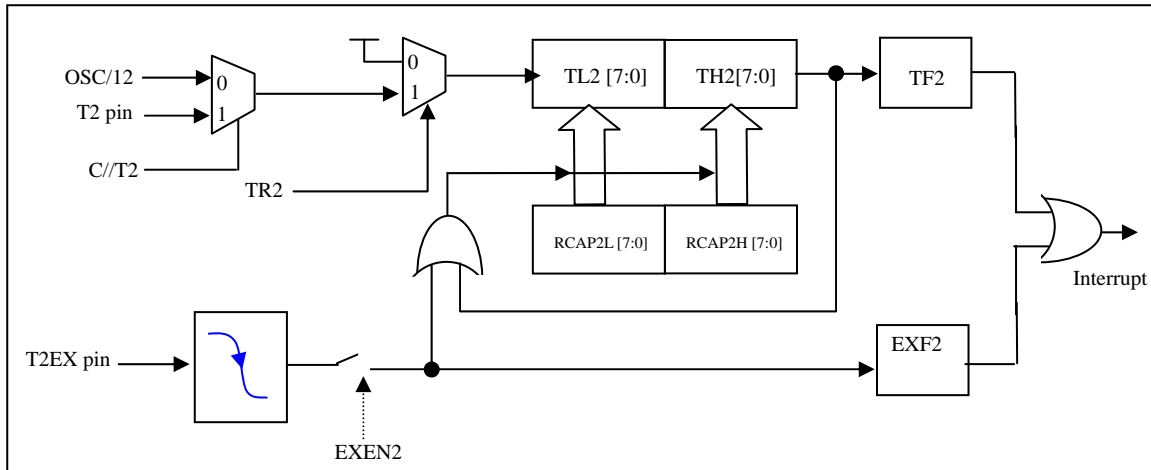
Capture Mode (CP)

In the Capture mode, Timer2 is incremented by either OSC/12 or external pin (T2) 1-to-0 transition. TR2 controls the event to timer2 and a 1-to-0 transition on T2EX pin will trigger RCAP2H and RCAP2L registers to capture the Timer2 contents onto them if EXEN2 is set. An overflow in Timer2 sets TF2 flag and a 1-to-0 transition in T2EX pin sets EXF2 flag if EXEN2=1. TF2 and EXF2 is ORed to request the interrupt service.



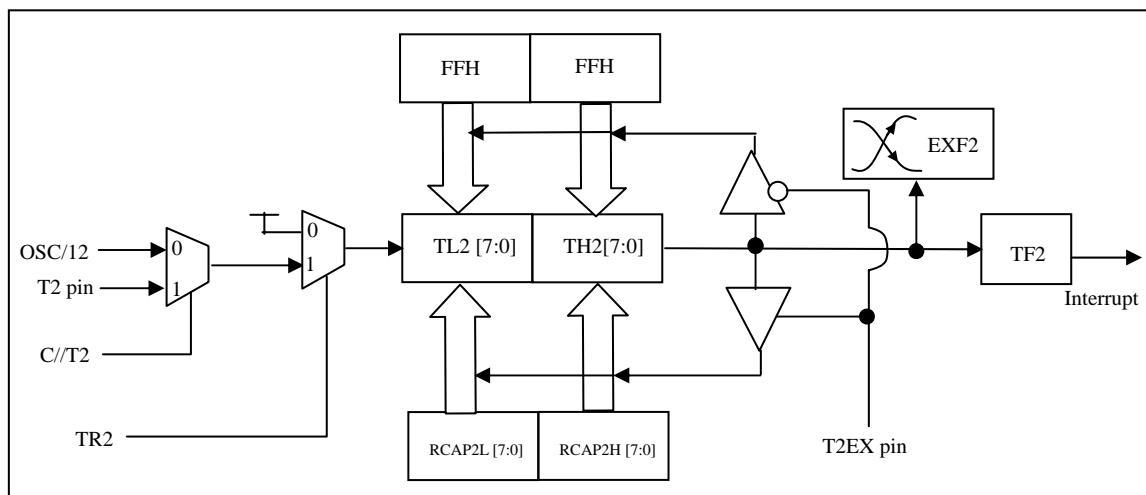
Auto-Reload Up-Only Mode (ARUO)

In ARUO mode, Timer2 can be configured to count up with a software-defined value to be reloaded. When reset is applied to the DCEN = 0 and CP/RL2=0, Timer2 is at ARUO mode. An overflow on Timer2 or 1-to-0 transition on T2EX pin will load RCAP2H and RCAP2L contents onto Timer2, also set TF2 and EXF2, respectively.



Auto-Reload Up-Down Mode (ARUD)

In ARUD mode, Timer2 can be configured to count up or down. When DCEN = 1 and CP/RL2=0, Timer2 is at ARUD mode. The counting direction is determined by T2EX pin. If T2EX=1, counting up, otherwise counting down. An overflow on Timer2 will set TF2 and toggle EXF2. EXF2 cannot generate interrupt request in this mode. If the counting direction is DOWN, the overflow loads 0xFFFF onto Timer2 and if counting direction is UP, the overflow loads RCAP2H, RCAP2L contents onto Timer2.



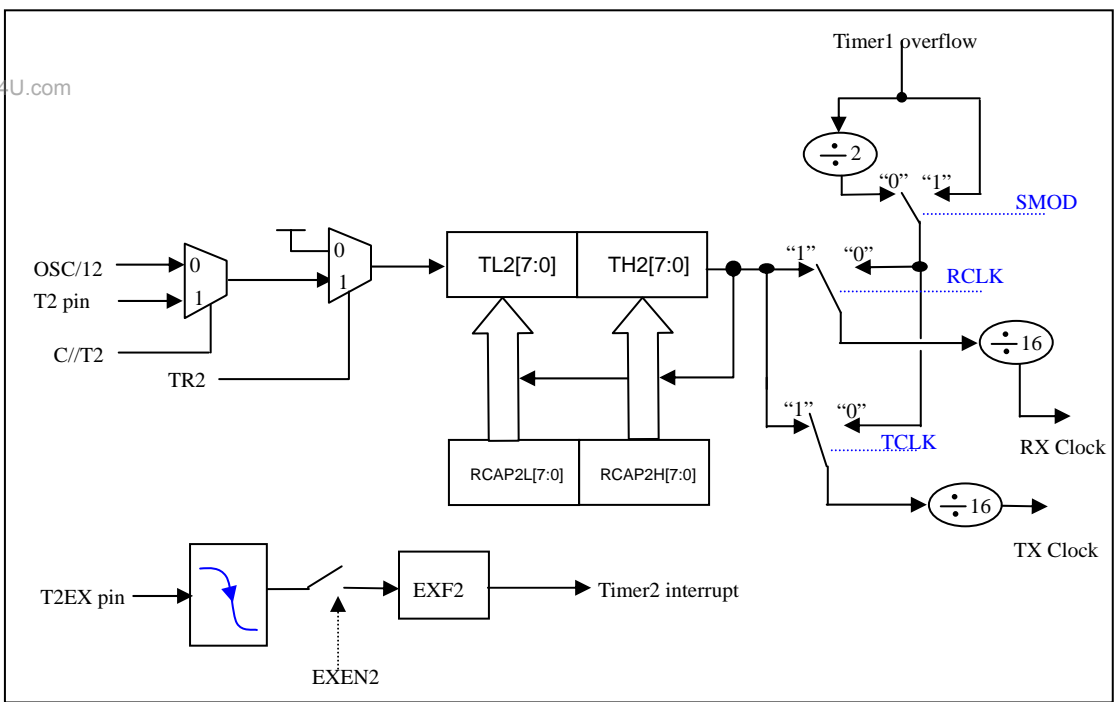
Baud-Rate Generator Mode (BRG)

Timer2 can be configured to generate various baud-rate. Bit TCLK and/or RCLK in T2CON allow the serial port transmit and receive baud rates to be derived from either Timer1 or Timer2. When TCLK=0, Timer1 is used as the serial port transmit baud rate generator. When TCLK=1, Timer2 is used as the serial port transmit baud rate generator. RCLK has the same effect for the serial port baud rate. With these two bits, the serial port can have different receive and transmit baud rates – one generated from Timer1 and the other from Timer2.

In BRG mode, Timers is operated very like auto-reload up-only mode except that the T2EX pin cannot control reload. An overflow on Timer2 will load RCAP2H, RCAP2L contents onto Timer2, but TF2 will not be set. A 1-to-0 transition on P2EX pin can set EXF2 to request interrupt service if EXEN2=1.

The baud rate in UART Mode1 and Mode3 are determined by Timer2's overflow rate given below:

$\text{Baud Rate} = \frac{\text{Timer2 overflow rate}}{16}$	(counting T2EX)
$\text{Baud Rate} = \frac{\text{Oscillator Frequency}}{[32 \times [65536 - (\text{RCAP2H}, \text{RCAP2L})]]}$	(as a timer)



www.DataSheet4U.com

Interrupt

There are eight interrupt sources available in MPC89x54A. Each interrupt source can be individually enabled or disabled by setting or clearing a bit in the SFR named **IE**. This register also contains a global disable bit (**EA**), which can be cleared to disable all interrupts at once.

Each interrupt source has two corresponding bits to represent its priority. One is located in SFR named **IPH** and the other in **IP/XICON** register. Higher-priority interrupt will be not interrupted by lower-priority interrupt request. If two interrupt requests of different priority levels are received simultaneously, the request of higher priority is serviced. If interrupt requests of the same priority level are received simultaneously, an internal polling sequence determines which request is serviced. The following table shows the internal polling sequence in the same priority level and the interrupt vector address.

Source	Vector address	Priority within level
External interrupt 0	03H	1 (highest)
Timer 0	0BH	2
External interrupt 1	13H	3
Timer1	1BH	4
Serial Port	23H	5
Timer2	2BH	6
External interrupt 2	33H	7
External interrupt 3	3BH	8

The external interrupt /INT0, /INT1, /INT2 and /INT3 each can be either level-activated or transition-activated, depending on bits **IT0** and **IT1** in SFR **TCON**, **IT2** and **IT3** and **XICON**. The flags that actually generate these interrupts are bits **IE0** and **IE1** in **TCON**, **IE2** and **IE3** in **XICON**. When an external interrupt is generated, the flag that generated it is cleared by the hardware. When the service routine is vectored to *only if the interrupt was transition –activated*, and then the external requesting source controls the request flag, rather than the on-chip hardware.

The Timer0 and Timer1 interrupts are generated by **TF0** and **TF1**, which are set by a rollover in their respective Timer/Counter registers in most cases. When a timer interrupt is generated, the flag, which generated it, is cleared by the on-chip hardware as soon as the service routine is vectored to.

The serial port interrupt is generated by the logical *OR* of **RI** and **TI**. Neither of these flags is cleared by hardware when the service routine is vectored to. The service routine should poll **RI** and **TI** to determine which one to request service and it will be cleared by software.

The timer2 interrupt is generated by the logical *OR* of **TF2** and **EXF2**. Just the same as serial port, neither of these flags is cleared by hardware when the service routine is vectored to.

All of the bits that generate interrupts can be set or cleared by software, and it has the same

impact as done through by hardware. In other words, interrupts or pending interrupts can be generated or canceled in software.

The following content describes several SFR related to interrupt mechanism.

SFR: IE (Interrupt Enabling):

Bit-7	Bit-6	Bit-5	Bit-4	Bit-3	Bit-2	Bit-1	Bit-0
EA		ET2	ES	ET1	EX1	ET0	EX0

EA: Global disables all interrupts when cleared.

ET2: When set, enables Timer2 interrupt.

ES: When set, enables the serial port interrupt.

ET1: When set, enables Timer1 interrupt.

EX1: When set, enables external interrupt 1.

ET0: When set, enables Timer 0 interrupt.

EX0: When set, enables external interrupt 0.

SFR: IP (Interrupt Priority Low):

Bit-7	Bit-6	Bit-5	Bit-4	Bit-3	Bit-2	Bit-1	Bit-0
-	-	PT2	PS	PT1	PX1	PT0	PX0

PT2: If set, Set priority for timer2 interrupt higher

PS: If set, Set priority for serial port interrupt higher

PT1: If set, Set priority for timer1 interrupt higher

PX1: If set, Set priority for external interrupt 1 higher

PT0: If set, Set priority for timer0 interrupt higher

PX0: If set, Set priority for external interrupt 0 higher

SFR: IPH (Interrupt Priority High):

Bit-7	Bit-6	Bit-5	Bit-4	Bit-3	Bit-2	Bit-1	Bit-0
PX3H	PX2H	PT2H	PSH	PT1H	PX1H	PT0H	PX0H

PX3H: If set, Set priority for external interrupt 3 highest

PX2H: If set, Set priority for external interrupt 2 highest

PT2H: If set, Set priority for timer2 interrupt highest

PSH: If set, Set priority for serial port interrupt highest

PT1H: If set, Set priority for timer1 interrupt highest

PX1H: If set, Set priority for external interrupt 1 highest

PT0H: If set, Set priority for timer0 interrupt highest

PX0H: If set, Set priority for external interrupt 0 highest

IP (or XICON) and IPH are combined to form 4-level priority interrupt as the following table.

{IPH.x , IP.x}	Priority Level
11	1 (highest)
10	2
01	3
00	4

SFR: **XICON** (External Interrupt Control):

Bit-7	Bit-6	Bit-5	Bit-4	Bit-3	Bit-2	Bit-1	Bit-0
PX3	EX3	IE3	IT3	PX2	EX2	IE2	IT2

PX3 : If set, Set priority for external interrupt 3 higher

EX3 : If set, Enables external interrupt 3.

IE3 : Interrupt 3 Edge flag. Sets by hardware when external interrupt edge detected. Cleared when interrupt processed.

IT3 : Interrupt 3 type control bit. Set/Cleared by software to specified falling edge/low level triggered interrupt.

PX2 : If set, Set priority for external interrupt 3 higher

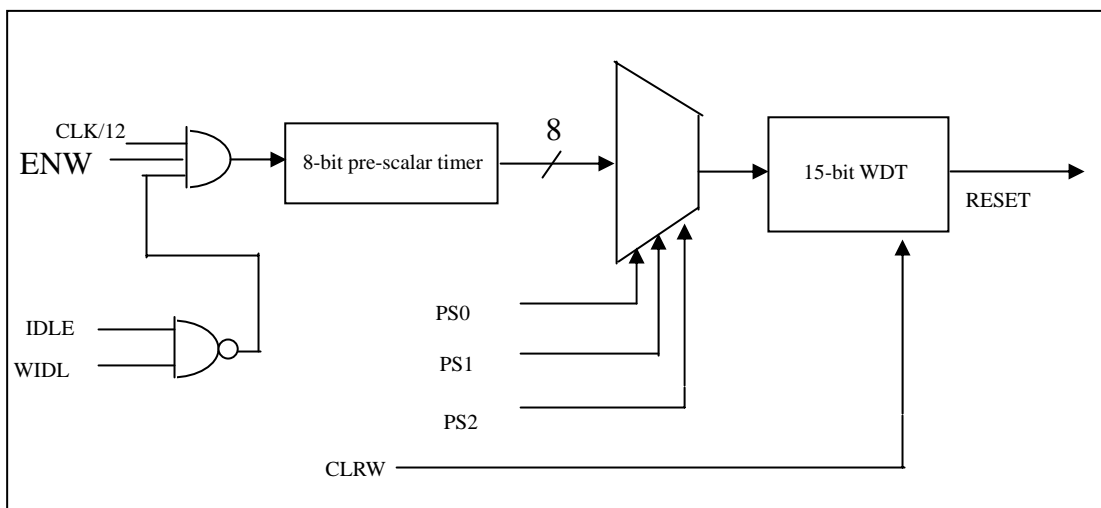
EX2 : If set, enables external interrupt 2.

IE2 : Interrupt 2 Edge flag. Sets by hardware when external interrupt edge detected. Cleared when interrupt processed.

IT2 : Interrupt 2 types control bit. Set/Cleared by software to specify falling edge/low level triggered interrupt.

Watchdog Timer

www.DataSheet4U.com



SFR: **WDTCR** (Watchdog Timer Control):

Bit-7	Bit-6	Bit-5	Bit-4	Bit-3	Bit-2	Bit-1	Bit-0
-	-	ENW	CLRW	WIDL	PS2	PS1	PS0

ENW: Enable WDT while it is set. ENW cannot be cleared by firmware.
1: = enable watchdog timer, 0: = does not use watchdog timer

CLRW: Clear WDT to recount while it is set. Hardware will automatically clear this bit.

WIDL: Set this bit to disable WDT generating reset even though the μ C is in idle mode.

{PS2, PS1, PS0}: select the pre-scaler output.

- {0, 0, 0}: = set the pre-scaling value 2
- {0, 0, 1}: = set the pre-scaling value 4
- {0, 1, 0}: = set the pre-scaling value 8
- {0, 1, 1}: = set the pre-scaling value 16
- {1, 0, 0}: = set the pre-scaling value 32
- {1, 0, 1}: = set the pre-scaling value 64
- {1, 1, 0}: = set the pre-scaling value 128
- {1, 1, 1}: = set the pre-scaling value 256

Serial IO Port (UART)

The serial port of MPC89x54A is duplex. It can transmit and receive simultaneously. The receiving and transmitting of the serial port share the same SFR **SBUF**, but actually there are two SBUF registers implemented in the chip, one is for transmitting and the other is for receiving. The serial port can be operated in 4 different modes.

Mode 0

Generally, this mode purely is used to extend the I/O features of this device.

Operating under this mode, the device receives the serial data or transmits the serial data via pin RXD, while there is a clock stream shifted via pin TXD which makes convenient for external synchronization. An 8-bit data is serially transmitted/received with LSB first. The baud rate is fixed at 1/12 the oscillator frequency.

Mode1

A 10-bits data is serially transmitted through TXD or received through RXD. The frame data includes a start bit (0), 8 data bits and a stop bit (1). After the receiving, the device will keep the stop bit in **RB8** which from SRF **SCON**.

$$\text{Baud Rate (for Mode 1)} = \frac{2^{\text{SMOD}}}{32} \times (\text{Timer-1 overflow rate})$$

$$\text{or} = \frac{(\text{Timer-2 overflow rate})}{16}$$

Mode2

An 11-bit data is serially transmitted through **TXD** or received through **RXD**. The frame data includes a start bit (0), 8 data bits, a programmable 9th bit and a stop bit (1). On transmit, the 9th data bit comes from **TB8** in SFR **SCON**. On receive, the 9th data bit goes into **RB8** in **SCON**. The baud rate is programmable, and permitted to be set either 1/32 or 1/64 the oscillator frequency.

$$\text{Baud Rate (for Mode 2)} = \frac{2^{\text{SMOD}}}{64} \times \text{Fosc}$$

Mode3

Mode 3 is the same as mode 2 except the baud rate is variable.

$$\text{Baud Rate (for Mode 3)} = \frac{2^{\text{SMOD}}}{32} \times (\text{Timer-1 overflow rate})$$

$$\text{or} = \frac{(\text{Timer-2 overflow rate})}{16}$$

In all four modes, transmission is initiated by any instruction that uses SBUF as a destination register. Reception is initiated in mode 0 by the condition **RI** = 0 and **REN** = 1. Reception is initiated in the other modes by the incoming start bit with 1-to-0 transition if **REN**=1.

There are several SFR related to serial port configuration described as following.

SFR: **SCON** (Serial Port Control):

Bit-7	Bit-6	Bit-5	Bit-4	Bit-3	Bit-2	Bit-1	Bit-0
SM0/FE	SM1	SM2	REN	TB8	RB8	TI	RI

FE: Frame Error bit. This bit is set by the receiver when an invalid stop bit is detected. The FE bit is not cleared by valid frames, but should be cleared by software. The **SMOD0 (PCON.6)** bit must be set to enable access to the FE bit.

{ **SM0, SM1** }: Used to set operating mode of the serial port. It is enabled to access by clearing SMOD0.

- { 0, 0 } := set the serial port operate under Mode 0
- { 0, 1 } := set the serial port operate under Mode 1
- { 1, 0 } := set the serial port operate under Mode 2
- { 1, 1 } := set the serial port operate under Mode 3

SM2: Enable the *automatic address recognition* feature in mode 2 and 3. If **SM2=1**, **RI** will not be set unless the received 9th data bit is 1, indicating an address, and the received byte is a Given or Broadcast address. In mode1, if SM2=1 then RI will not be set unless a valid stop Bit was received, and the received byte is a Given or Broadcast address.

REN: Enable the serial port reception. 1 := enable 0 := disable

TB8: The 9th data bit, which will be transmitted in Mode 2 and Mode 3.

RB8: In mode 2 and 3, the received 9th data bit will go into this bit.

TI: Transmit interrupt flag. After a transmit has been finished, the hardware will set this bit.

RI: Receive interrupt flag. After reception has been finished, the hardware will set this bit.

SFR: **SBUF** (Serial port Buffer register):

Bit-7	Bit-6	Bit-5	Bit-4	Bit-3	Bit-2	Bit-1	Bit-0
(data to be transmitted or received data)							

Automatic Address Recognition

There is an extra feature makes the device convenient to act as a master, which communicates to multiple slaves simultaneously. It is really *Automatic Address Recognition*.

There are two SFR **SADDR** and **SADEN** implemented in the device. The user can read or write both of them. Finally, the hardware will make use of these two SFR to “generate” a “compared byte”. The formula specifies as following.

$$\text{Bit}[i] \text{ of } \underline{\text{Compared Byte}} = (\text{SADEN}[i] == 1) ? \text{SADDR}[i] : x$$

For example:

Set **SADDR** = 11000000b

Set **SADEN** = 11111101b

⇒ The achieved “Compared Byte” will be “110000x0” (x means don't care)

For another example:

Set **SADDR** = 11100000b

Set **SADEN** = 11111010b

⇒ The achieved “Compared Byte” will be “11100x0x”

After the generic “Compared Byte” has been worked out, the MPC89x54A will make use of this byte to determine how to set the bit **RI** in SFR **SCON**.

Normally, an UART will set bit **RI** whenever it has done a byte reception; but for the UART in the MPC89x54A, if the bit **SM2** is set, it will set **RI** according to the following formula.

$$\text{RI} = (\text{SM2} == 1) \&\& (\text{SBUF} == \text{Compared Byte}) \&\& (\text{RB8} == 1)$$

In other words, not all data reception will respond to RI, while specific data does.

By setting the SADDR and the SADEN, the user can filter out those data byte that doesn't like to care. This feature brings great help to reduce software overhead.

The above feature adapts to the serial port when operated in Mode1, Mode2, and Mode3.

Dealing with Mode 0, the user can ignore it.

Frame Error Detection

A missing bit in stop bit will set the **FE** bit in the **SCON** register. The **FE** bit shares the **SCON** bit 7 with **SM0** and its actual function for **SCON.7** is determined by **SMOD0 (PCON.6)**. If **SMOD0** is set, **SCON.7** functions as **FE**, otherwise functions as **SM0**. When used as **FE** bit, it can only be cleared by software.

Reset

The RESET pin is used to reset this device. It is connected into the device to a Schmitt Trigger buffer to get excellent noise immunity.

Any positive pulse from RESET pin must be kept at least two-machine cycle, or the device cannot be reset.

Power Saving Mode and POF

There are two power saving modes which are selectable to drive the MPC89x54A to enter power-saving mode.

1. IDLE mode

The user can set the bit **PCON.0** to drive this chip entering IDLE mode.

In the IDLE mode, the internal clock is gated off to the CPU, but not to the interrupt, timer and serial port functions.

There are two ways to terminate the idle. Activation of any enabled interrupt will cause **PCON.0** to be cleared by hardware to terminating the idle mode. The interrupt will be serviced, and following RETI, the next instruction to be executed will be performed right after the instruction that causes the device entering to idle mode. Another way to wake-up from idle is to pull **RESET** pin high to generate internal hardware reset.

2. POWER-DOWN mode

The user can set the bit **PCON.1** to drive this chip entering *POWER-DOWN* mode.

In the *POWER-DOWN* mode, the on-chip oscillator is stopped. The contents of on-chip RAM and SFRs are maintained.

The power-down mode can be woken-up by either hardware reset or **/INT0**, **/INT1**, **/INT2** and **/INT3** external interrupts. When it is woken-up by **RESET** pin, the program will execute from the address 0x0000, and be carefully to keep **RESET** pin active for at least 10ms in order to get a stable clock while waking up this chip from *POWER-DOWN* mode. If it is woken-up from I/O, the program will jump to related interrupt service routine. To use I/O wake-up, interrupt-related registers have to be programmed accurately before power-down is entered. **Pay attention to add at least one "NOP" instruction subsequent to the power-down instruction if I/O waken-up is used.**

Mode	Program Memory	ALE	PSEN	Port0	Port1	Port2	Port3
Idle	Internal	1	1	Data	Data	Data	Data
Idle	External	1	1	Float	Data	Address	Data
Power-Down	Internal	0	0	Data	Data	Data	Data
Power-Down	External	0	0	Float	Data	Data	Data

Pin Status in IDLE Mode and POWER-DOWN Mode

3. POWER-ON FLAG (POF)

The register bit in PCON.4 is set only by power-on action. System RESET from watch-dog-timer, software RESET and RESET pin can not set this bit. It can be cleared by firmware.

www.DataSheet4U.com

In System Programming (ISP)

To develop a good program for ISP function, the user has to understand the architecture of the embedded flash.

The embedded flash consists of 30 pages. Each page contains 512 bytes.

Dealing with flash, the user must erase it in page unit before writing (programming) data into it. Erasing flash means setting the content of that flash as *FFh*. Two erase modes are available in this chip. One is *mass mode* and the other is *page mode*. The *mass mode* gets more performance, but it erases the entire flash. The *page mode* is something performance less, but it is flexible since it erases flash in page unit.

Unlike RAM's real-time operation, to erase flash or to write (program) flash often takes longer time to finish.

Furthermore, it is a quite complex timing procedure to erase/program flash. Fortunately, the MPC89x54A carried with convenient mechanism to help the user read/change the flash content. Just filling the target address and data into several SFR, and triggering the built-in ISP automation, the user can easily erase, read, and program the embedded flash and option registers **OR1**.

There are several SFR designed to help the user implement the ISP functionality.

SFR: **IFD** (ISP Flash Data register):

Bit-7	Bit-6	Bit-5	Bit-4	Bit-3	Bit-2	Bit-1	Bit-0
(Data to be written into flash, or data got from flash)							

IFD is the data port register for ISP operation. The data in IFD will be written into the desired address in operating ISP write and it is the data window of readout in operating ISP read.

SFR: **IFADRH** (ISP Flash Address High):

Bit-7	Bit-6	Bit-5	Bit-4	Bit-3	Bit-2	Bit-1	Bit-0
(High byte of the address pointing to flash memory)							

IFADRH is the high-byte address port for all ISP modes.

SFR: **IFADRL** (ISP Flash Address Low):

Bit-7	Bit-6	Bit-5	Bit-4	Bit-3	Bit-2	Bit-1	Bit-0
(Low byte of the address pointing to flash memory)							

IFADRL is the low-byte address port for all ISP modes.

www.DataSheet4U.com

SFR: **IFMT** (ISP Flash Mode Table):

Bit-7	Bit-6	Bit-5	Bit-4	Bit-3	Bit-2	Bit-1	Bit-0
<i>reserved</i>					Mode Selection		

Mode Selection				To Operate
0	0	0	Standby	
0	0	1	AP-memory read	
0	1	0	AP-memory/Data-flash program	
0	1	1	AP-memory/Data-flash page erase	
1	1	1	OR1 memory erase (IFADRL[0]=1).	
1	0	1	OR1 memory read (IFADRL[0] =1)	
1	1	0	OR1 memory program (IFADRL[0] = 1)	

Note: **OR0** cannot be changed by ISP operation. It can be accessed only by Writer. Only **OR1** can be changed by ISP program.

SFR: **SCMD** (Sequential Command Data register for ISP):

Bit-7	Bit-6	Bit-5	Bit-4	Bit-3	Bit-2	Bit-1	Bit-0
ISP-Command (Device ID)							

SCMD is the command port for triggering ISP activity. If SCMD is filled with sequential 46h, B9h and if ISPCR.7 = 1, ISP activity will be triggered.

When this register is read, the device ID of MPC89x54A will be returned (2 bytes). The MSB byte of DID is **F1h** and LSB byte **04h**. IFADRL[0] is used to select HIGH/LOW byte of DID.

SFR: **ISPCR** (ISP Control register):

Bit-7	Bit-6	Bit-5	Bit-4	Bit-3	Bit-2	Bit-1	Bit-0
ISPEN	SWBS	SWRST	-	-	WAIT		

ISPEN: ISP function enabling bit

- 0: = Disable ISP program to change flash
- 1: = Enable ISP program to change flash

SWBS: Secondary Booting program selecting

- 0: = Boot from main-memory.
- 1: = Boot from ISP memory.

SWRST: software reset trigger

- 0: = No operation
- 1: = Generate software system reset. It will be cleared by hardware automatically.

Notice: Software reset actions could reset other SFR, but it never influences bits **ISPEN** and **SWBS**. The **ISPEN** and **SWBS** only will be reset by power-up action, not software reset.

WAIT: Waiting time selection while the flash is busy.

ISPCR[2:0]	CPU Wait time (Machine Cycle)			
	Page Erase	Program	Read	Recommended System clock
0 0 0	43769	240	43	40M
0 0 1	21885	120	22	20M
0 1 0	10942	60	11	10M
0 1 1	5471	30	6	5M

www.DataSheet4U.com

Procedures demonstrating ISP function

```

IFMT ← xxxx011b /* choice page-erasing command */
ISPCR ← 100xx010b /* set ISPEN=1 to enable flash change.
                        set WAIT=010, 10942 MC; assumed 10M X's*/
IFADRH ← (page address high byte) /* specify the address of the page to be erased */
IFADRL ← (page address low byte)
SCMD ← 46h /* trig ISP activity */
SCMD ← B9h
(CPU progressing will be hold here )
(CPU continues)

```

Erase a specific flash page

```

IFMT ← xxxxx010b /* choice byte-programming command */
ISPCR ← 100xx010b /* set ISPEN=1 to enable flash change.
                          set WAIT=010, 60 MC; assumed 10M X's*/
IFADRH ← (Address high byte) /* specify the address to be programmed */
IFADRL ← (Address low byte)
IFD ← (byte date to be written into flash) /* prepare data source */
SCMD ← 46h /* trig ISP activity */
SCMD ← B9h
(CPU progressing will be hold here)
(CPU continues)

```

Program a byte into flash

```

IFMT ← xxxxx001b /* choice byte-read command */
ISPCR ← 100xx010b /* set ISPEN=1 to enable flash change.
                          set WAIT=010, 11 MC; assumed 10M X's*/
IFADRH ← (Address high byte) /* specify the address to be read */
IFADRL ← (Address low byte)
SCMD ← 46h /* trig ISP activity */
SCMD ← B9h
(CPU progressing will be hold here)
(CPU continues and currently IFD contain the desired data byte )

```

Read a byte from flash

Booting Program Entrance

The MPC89x54A boots according to the following rule.

```

If ( HWBS == 0 ) && ( { ISPAS1, ISPAS0 } ≠ { 1, 1 } )
    System will boot from ISP program
else
    System will boot from normal AP program

```

Above rule is adaptive only for power-up procedure, while not software reset.

Switching from ISP program to AP program

The device permits the user normally start running the AP program as soon as the ISP program has finished updating the flash content. Just program an instruction at the tail of ISP program as

```

ISPCR ← 001xxxxxb

```

which disables flash-writing authority, set **SWBS 0**, and trigger a software reset. After that, the system will be reset (not powered-up), and the system will refer to **SWBS** to startup from AP program entrance. For power-up procedure, the **HWBS** will be referred to decide the program entrance, but for software reset, **SWBS** will be referred to.

Switch to the ISP program from AP program

The device also permits the user program switches directly to the ISP program. Just program an instruction in the AP program as

```
ISPCR ← x11xxxx6
```

which sets **SWBS 1** to direct the device boot from AP program, and trigger a software reset. After that, the system will be reset (not powered-up), and the system will refer to **SWBS** to startup from ISP program entrance.

In-Application Program

The In-Application Program feature is designed for user to Read/Write nonvolatile *data flash*. It may bring great help to store parameters those should be independent of power-up and power-done action. In other words, the user can store data in *data flash* memory, and after shutting down the MCU and rebooting the MCU, user still can get the original value, which had stored in.

The user can program the *data flash* according to the same way as ISP program, and gets deeper understanding related to SFR **IFD, IFADRL, IFADRH, IFMT, SCMD, and ISPCR**.

The *data flash* can be programmed by the AP program as well as the ISP program.

The ISP program may program the AP memory and *data flash*, while the AP program may program the *data flash* but not the ISP memory. If the AP program desires to change the ISP memory associated with specific address space, the hardware will ignore it.

Note : Even the users do not need ISP space, the OR0[5:4] still needs to be programmed with {10} if IAP data flash is desired. In other words, the maximum available size in data flash for IAP operation is 46K bytes.

Note for Other SFR

SFR: AUXR

Bit-7	Bit-6	Bit-5	Bit-4	Bit-3	Bit-2	Bit-1	Bit-0
-	-	-	-	-	-	ERAM	AO

ERAM: Define if hide the expanded RAM, so to access to the external RAM

0: = The internal auxiliary RAM access is enabled

1: = The internal auxiliary RAM access is disabled. The MOVX instructions always direct to external RAM.

AO: 0: = ALE is emitted at a constant rate of 1/6 the oscillator frequency for 12T mode, and at a constant rate of 1/3 the oscillator frequency for 6T mode

1: = ALE is active only during access to external memory for both MOVC and MOVX

SFR: AUXR1

Bit-7	Bit-6	Bit-5	Bit-4	Bit-3	Bit-2	Bit-1	Bit-0
-	-	-	-	GF2	-	-	DPS

GF2: General purpose flag

DPS: Data pointer switch

0: = Make the data pointer-0 active

1: = Make the data pointer-1 active

Absolute Maximum Rating (MPC89E54A)

Parameter	Rating	Unit
Ambient temperature under bias	-55 ~ +125	°C
Storage temperature	-65 ~ + 150	°C
Voltage on any Port I/O Pin or RST with respect to Ground	-0.5 ~ VCC + 0.5	V
Voltage on VCC with respect to Ground	-0.5 ~ +6.0	V
Maximum total current through VCC and Ground	500	mA
Maximum output current sunk by any Port pin	40	mA

*Note: stresses above those listed under “Absolute Maximum Ratings” may cause permanent damage to the device. This is a stress rating only and functional operation of the devices at those or any other conditions above those indicated in the operation listings of this specification is not implied. Exposure to maximum rating conditions for extended periods may affect device reliability.

DC Characteristics (MPC89E54A)

VSS = 0V, TA = 25 °C and 12 clocks per machine cycle ,unless otherwise specified

Symbol	Parameter	Test Condition	Specification			Unit
			Min.	Typ.	Max.	
V _{IL1}	Input low voltage (P0, 1,2,3,4)	V _{cc} =5.0V			0.8	V
V _{IL2}	Input low voltage (RESET)	V _{cc} =5.0V			1.6	V
V _{IH1}	Input high voltage (P0, 1, 2, 3, 4,EA)	V _{cc} =5.0V	2.0			V
V _{IH2}	Input high voltage (RESET)	V _{cc} =5.0V	3.0			V
I _{OL1}	Sinking Current for output Low (P1, P2, P3, P4)	V _{cc} =5.0V	4	6		mA
I _{OL2}	Sinking Current for output Low (P0, ALE, PSEN)	V _{cc} =5.0V	8	12		mA
I _{OH1}	Sourcing Current for output High (P1, P2, P3, P4)	V _{cc} = 5.0V	150	220		uA
I _{OH2}	Sourcing Current for output High (ALE, PSEN)	V _{cc} = 5.0V	14	20		mA
I _{IL}	Logic 0 input current (P1,2,3,4)	V _{pin} =0V		18	50	uA
I _{TL}	Logic 1 to 0 transition current (P1,2,3,4)	V _{pin} =2.0V		270	600	uA
I _{CC}	Operating current @20MHz	V _{cc} =5.0V			30	mA
I _{IDLE}	Idle mode current @ 20MHz	V _{cc} =5.0V			7	mA
I _{PD}	Power down current	V _{cc} =5.0V			50	uA
R _{rst}	Internal pull-down resistance in RESET		45K~116K			ohm

Absolute Maximum Rating (MPC89L54A)

Parameter	Rating	Unit
Ambient temperature under bias	-55 ~ +125	°C
Storage temperature	-65 ~ + 150	°C
Voltage on any Port I/O Pin or RST with respect to Ground	-0.3 ~ VCC + 0.3	V
Voltage on VCC with respect to Ground	-0.3 ~ +4.2	V
Maximum total current through VCC and Ground	500	mA
Maximum output current sunk by any Port pin	40	mA

*Note: stresses above those listed under “Absolute Maximum Ratings” may cause permanent damage to the device. This is a stress rating only and functional operation of the devices at those or any other conditions above those indicated in the operation listings of this specification is not implied. Exposure to maximum rating conditions for extended periods may affect device reliability.

DC Characteristics (MPC89L54A)

VSS = 0V, TA = 25 °C and 12 clocks per machine cycle ,unless otherwise specified

Symbol	Parameter	Test Condition	Specification			Unit
			Min.	Typ.	Max.	
V _{IL1}	Input low voltage (P0, 1,2,3,4)	V _{CC} =3.3V			0.8	V
V _{IL2}	Input low voltage (RESET)	V _{CC} =3.3V			1.5	V
V _{IH1}	Input high voltage (P0, 1, 2, 3, 4,EA)	V _{CC} =3.3V	2.0			V
V _{IH2}	Input high voltage (RESET)	V _{CC} =3.3V	3.0			V
I _{OL1}	Sinking Current for output Low (P1, P2, P3, P4)	V _{CC} =3.3V	2.5	4		mA
I _{OL2}	Sinking Current for output Low (P0, ALE, PSEN)	V _{CC} =3.3V	5	8		mA
I _{OH1}	Sourcing Current for output High (P1, P2, P3, P4)	V _{CC} = 3.3V	40	70		uA
I _{OH2}	Sourcing Current for output High (ALE, PSEN)	V _{CC} =3.3V	8	13		mA
I _{IL}	Logic 0 input current (P1,2,3,4)	V _{pin} =0V		8	50	uA
I _{TL}	Logic 1 to 0 transition current (P1,2,3,4)	V _{pin} =2.0V		110	600	uA
I _{CC}	Operating current @20MHz	V _{CC} =3.3V			30	mA
I _{IDLE}	Idle mode current @ 20MHz	V _{CC} =3.3V			6	mA
I _{PD}	Power down current	V _{CC} =3.3V			50	uA
R _{rst}	Internal pull-down resistance in RESET		45K~116K			ohm

Package Dimension

40-pin PDIP (MPC89x54AE)

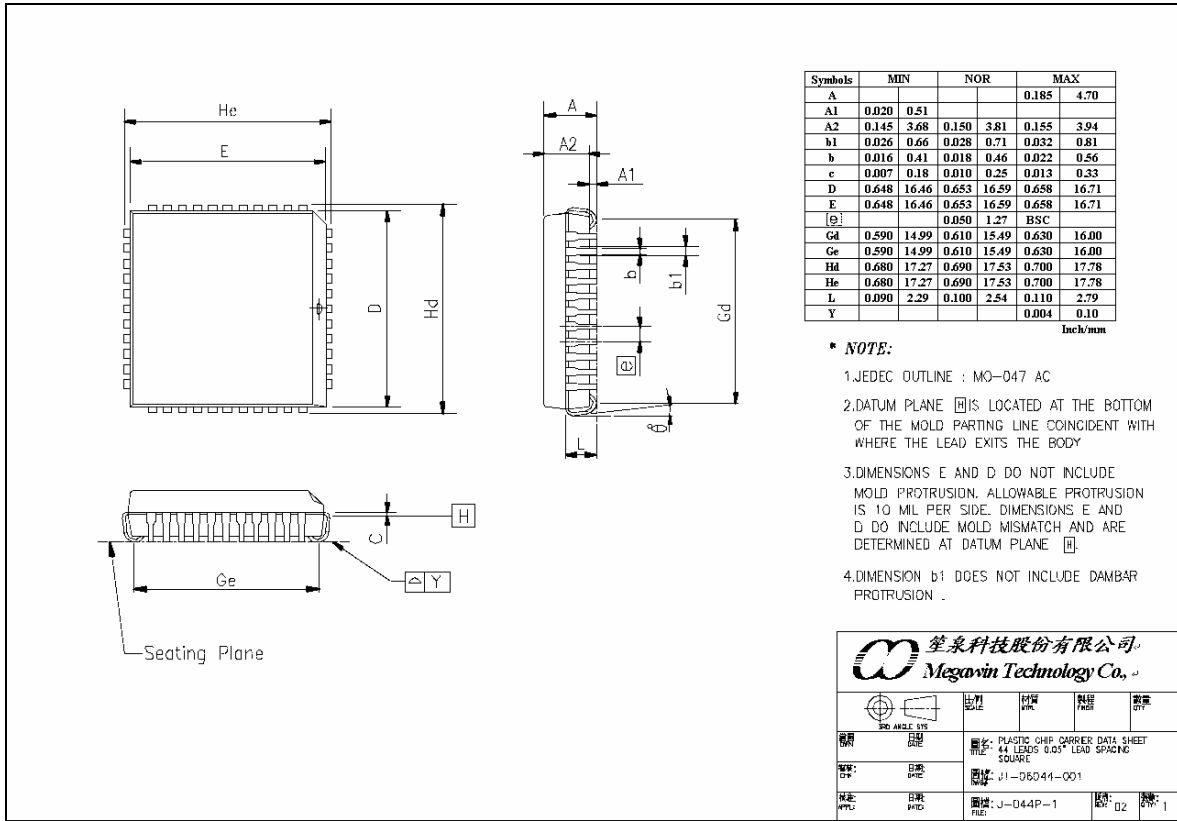
Symbols	MIN	NOR	MAX
A			0.220 5.59
A1	0.015 0.38		
A2	0.150 3.81	0.155 3.94	0.160 4.06
D	2.055 52.20	2.060 52.32	2.070 52.58
E		0.600 15.24	SBC
E1	0.540 13.72	0.545 13.84	0.550 13.97
L	0.115 2.92	0.130 3.30	0.150 3.81
EB	0.630 16.00	0.650 16.51	0.670 17.02
θ°	0	5	7 15 15

Inch/mm

NOTE:
1. JEDEC OUTLINE : MS-011 AC

華象科技股份有限公司 Megawin Technology Co., Ltd.				
3RD ANGLE 3/15	比例 SCALE	材質 MPC	製程 FINISH	數量 QTY
繪圖: DRAW:	日期: DATE:	圖名: FILE: DUAL INLINE PLASTIC DATA SHEET P-DIP 40 LEADS (600mil)		
審核: CHK:	日期: DATE:	圖號: DRAW: J1-0140P-001		
核准: APPL:	日期: DATE:	圖檔: FILE: J1-0140P-001-01	版別: DATE: 01	頁數: DATE: 1

44-pin PLCC (MPC89x54AP)



44-pin PQFP (MPC89x54AF)

Symbols	MIN	NOR		MAX		
A				0.106	2.70	
A1	0.010	0.25	0.012	0.30	0.014	0.35
A2	0.075	1.90	0.079	2.00	0.087	2.20
b			0.012	0.30	(TYP.)	
D	0.512	13.00	0.520	13.20	0.528	13.4
D1	0.390	9.90	0.394	10.00	0.398	10.10
E	0.512	13.00	0.520	13.20	0.528	13.40
E1	0.390	9.90	0.394	10.00	0.398	10.10
L	0.029	0.73	0.035	0.88	0.037	0.93
e			0.031	0.80	(TYP.)	
Ø	0	0			7	7
C	0.004	0.10	0.006	0.15	0.008	0.2

Inch/mm

NOTES:

1. JEDEC OUTLINE: MO-108 AA-
2. DATUM PLANE \square IS LOCATED AT THE BOTTOM OF THE MOLD PARTING LINE COINCIDENT WITH WHERE THE LEAD EXITS THE BODY.
3. DIMENSIONS D^{*} AND E1 DO NOT INCLUDE MOLD PROTRUSION. ALLOWABLE PROTRUSION IS 0.25 mm PER SIDE. DIMENSIONS D1 AND E^{*} DO INCLUDE MOLD MISMATCH AND ARE DETERMINED AT DATUM PLANE \square .
4. DIMENSION b DOES NOT INCLUDE DAMBAR PROTRUSION.

兆泉科技股份有限公司
Megawin Technology Co., Ltd.

比例 SCALE	比例 SCALE	材料 MATERIAL	数量 QUANTITY	数量 QTY
图号 DRAWING NO.	日期 DATE	图名 TITLE	图名 TITLE	
图号 DRAWING NO.	日期 DATE	图号 DRAWING NO.	图名 TITLE	
图号 DRAWING NO.	日期 DATE	图号 DRAWING NO.	图号 DRAWING NO.	图号 DRAWING NO.

Revision History

Version	Date	Page	Description
A3	2004/10		- reorganized
A4	2004/11	P27	- Added Procedures demonstrating ISP function
A5	2005/01		- Re-Format - Mark the reset pin resistance - Remove the read-only limitation on SFR AUXR - Document on option register OR1.7 - Fix the Baud-Rate-Computing formula for Timer-1
A6	2005/01		- Fix ISP start address incorrect
A7	2005/3/30	P6	- Update PQFP-44 package shape
A8	2005/6/14	P5, 8, 33	- Modify pin /EA location for PDIP and PLCC package - Modify bits definition for SFR PCON - Absolute Maximum Rating
A9	2006/09	P33, 34	- Revises the possible operating temperature.
A10	2007/03	P33	- Modify the Storage Temperature
A11	2007/12	P2 P34, 35	- Add 2.7V requirement in flash write operation. - Modify Absolute Maximum Rating.
A12	2008/12		- Formatting

www.DataSheet4U.com