

## SPECIFICATIONS

### Mechanical

**Mating Force:** 3.0kg ( 6.6Lb ) min.  
**Unmating Force:** 0.3kg (0.66Lb ) min.  
**Durability :** 5000 Cycles

### Electrical

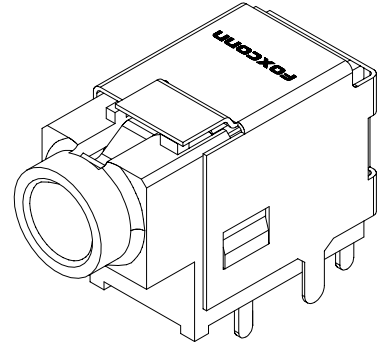
**Voltage Rating:** 150V max.  
**Current Rating:** 1A max.  
**Contact Resistance:** 50mΩ max.  
**Dielectric Withstanding Voltage:** 500V  
**Insulation Resistance:** 100MΩ

### Physical

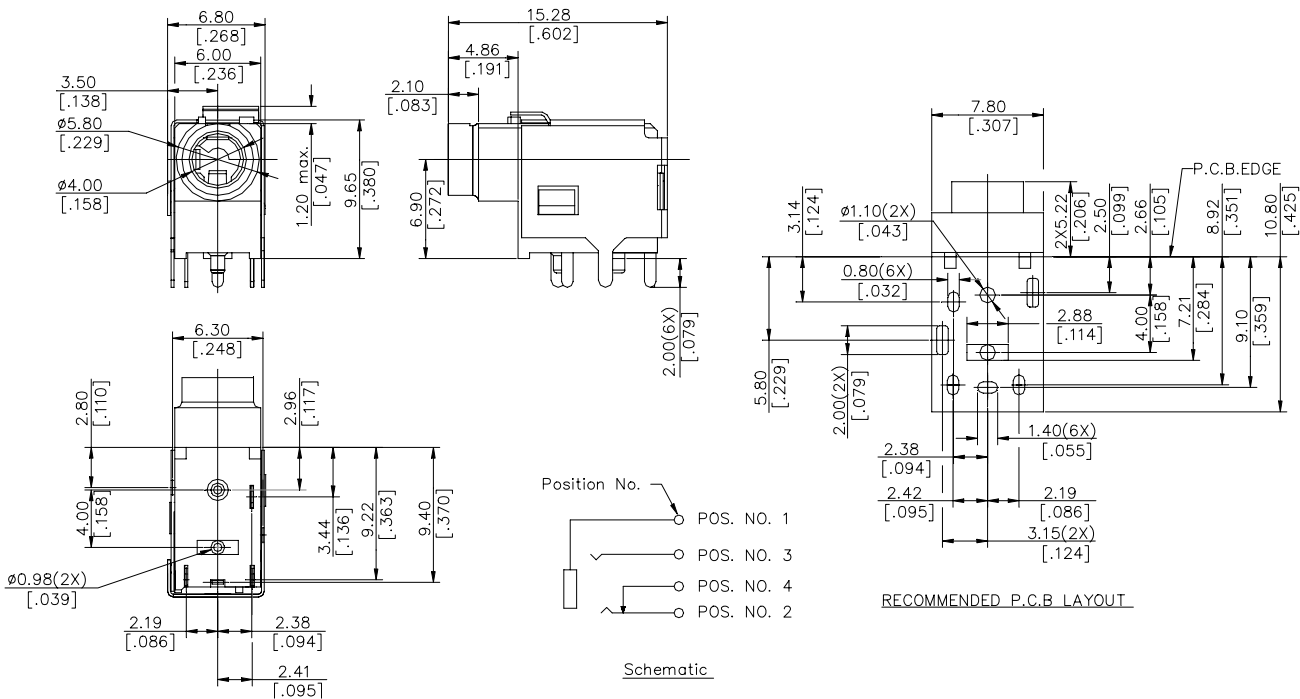
**Housing:** Thermoplastic, UL 94V-0  
**Contact:** Copper alloy  
**Plating:** See "ORDERING INFORMATION"  
**Metal Spring:** Copper alloy  
**Operating Temperature:** -40 to +85

## AUDIO JACK Connector

**JA Series**  
**T/H Type**  
**3 Bands**  
**Plug  $\phi$ 3.5mm**  
**4 Pos.**



## DRAWING



## ORDERING INFORMATION

**PRODUCT NO.: JA73333-1S0-TR**

Series Prefix J=Jack	_____	Packing Code TR=Tape Reel	_____
Conn. Series A=Audio Jack	_____	Tail Length 0=2.00mm	_____
Body&Termination Type 7=Special Body Hight,R/A	_____	W/ Shell	_____
Sleeve Style 3=W/O Bushing	_____	Schematic	_____
Plug Type 3=3 Band	_____		
Plug Diameter 3=3.50 (0.141")	_____		
Contact Area Plating 3=Gold Plating	_____		