

## SPECIFICATIONS

### Mechanical

**Mating Force:** 3.0kg ( 6.6Lb ) min.  
**Unmating Force:** 0.3kg (0.66Lb ) min.  
**Durability :** 5000 Cycles

### Electrical

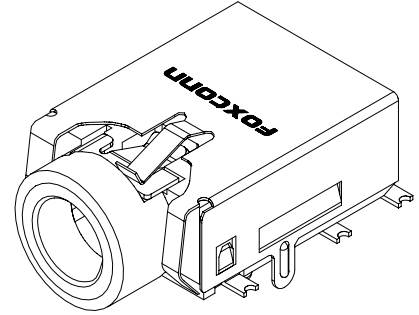
**Voltage Rating:** 150V max.  
**Current Rating:** 1A max.  
**Contact Resistance:** 50mΩ max.  
**Dielectric Withstanding Voltage:** 500V  
**Insulation Resistance:** 100MΩ

### Physical

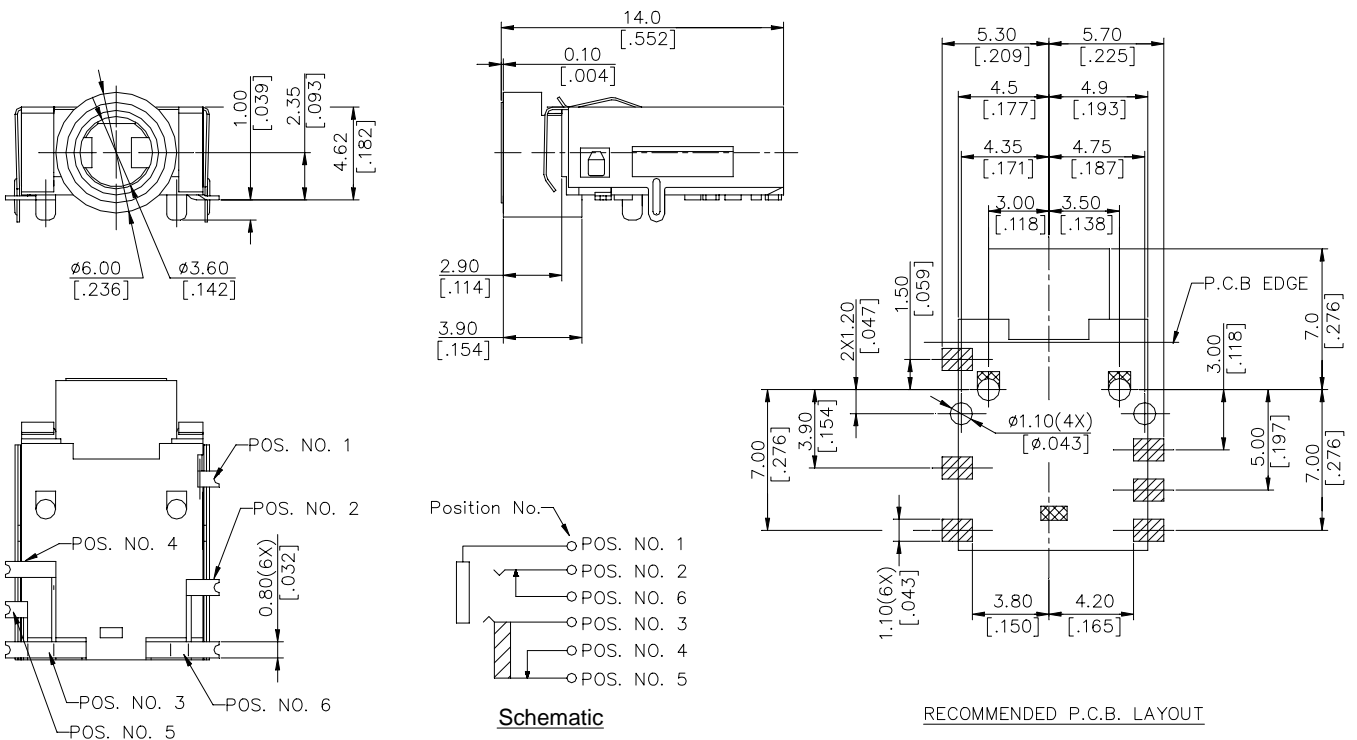
**Housing:** Thermoplastic, UL 94V-0  
**Contact:** Copper alloy  
**Plating:** See "ORDERING INFORMATION"  
**Metal Spring:** Copper alloy  
**Operating Temperature:** -40 to +85

## AUDIO JACK Connector

**JA Series**  
**SMT Type**  
**3 Bands**  
**Plug  $\varnothing$ 3.5mm**  
**6 Pos.**



## DRAWING



## ORDERING INFORMATION

**PRODUCT NO.:** JA 6 0 3 3 L - 1 L T - T R

Series Prefix	J=Jack	Packing Code	TR=Tape Reel
Conn. Series	A=Audio Jack	SMT Tail	
Body&Termination Type	6=Single Port, R/A	W/ Shell	
Sleeve Style	0=W/ Bushing	Schematic	
Plug Type	3=3 Band		
Plug Diameter	3=3.50 (0.141")		
Contact Area Plating	L=Pd/Ni + Gold Flash		