

**PLEASE CHECK WWW.MOLEX.COM FOR LATEST PART INFORMATION**

**Part Number:** [0879853030](#)  
**Status:** **Active**  
**Description:** 2.00mm (.079") Pitch Milli-Grid™ Cable-to-Board Receptacle, Dual Row, IDT, Center Polarization Key, 30 Circuits, 0.38mm (.015") Gold (Au) Selective Plating, Metal Latch, Lead-free, Tray

**Documents:**

[3D Model](#) [Product Specification PS-87985-026 \(PDF\)](#)  
[Drawing \(PDF\)](#) [RoHS Certificate of Compliance \(PDF\)](#)

**Agency Certification**

CSA LR 19980  
 UL E29179

**General**

Product Family IDT and Solder Connectors  
 Series [87985](#)  
 Crimp Quality Equipment Yes  
 Product Name Milli-Grid™  
 Use With [87569-1030](#) Strain Relief (Optional)

**Physical**

Circuits (Loaded) 30  
 Durability (mating cycles max) 30  
 Flammability 94V-0  
 Gender Female  
 Glow-Wire Compliant No  
 Lock to Mating Part Yes  
 Material - Metal Beryllium Copper, Stainless Steel  
 Number of Rows 2  
 Packaging Type Tray  
 Panel Mount No  
 Pitch - Mating Interface (in) 0.079 In  
 Pitch - Mating Interface (mm) 2.00 mm  
 Polarized to Mating Part Yes  
 Stackable No  
 Temperature Range - Operating -40°C to +85°C  
 Wire Size AWG 26, 28

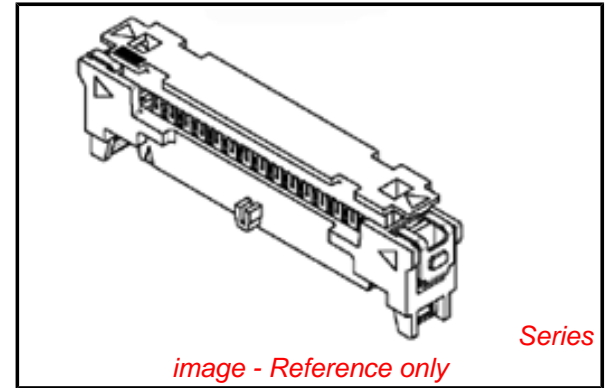
**Electrical**

Current - Maximum per Contact 1A  
 Voltage - Maximum 125V

**Material Info**

**Reference - Drawing Numbers**

Product Specification PS-87985-026  
 Sales Drawing SD-87985-014



**EU RoHS**

**ELV and RoHS Compliant**  
**REACH SVHC**  
 Not Reviewed  
**Halogen-Free Status**  
**Not Reviewed**

**China RoHS**



**Need more information on product environmental compliance?**

Email [productcompliance@molex.com](mailto:productcompliance@molex.com)  
 For a multiple part number RoHS Certificate of Compliance, [click here](#)

Please visit the [Contact Us](#) section for any non-product compliance questions.

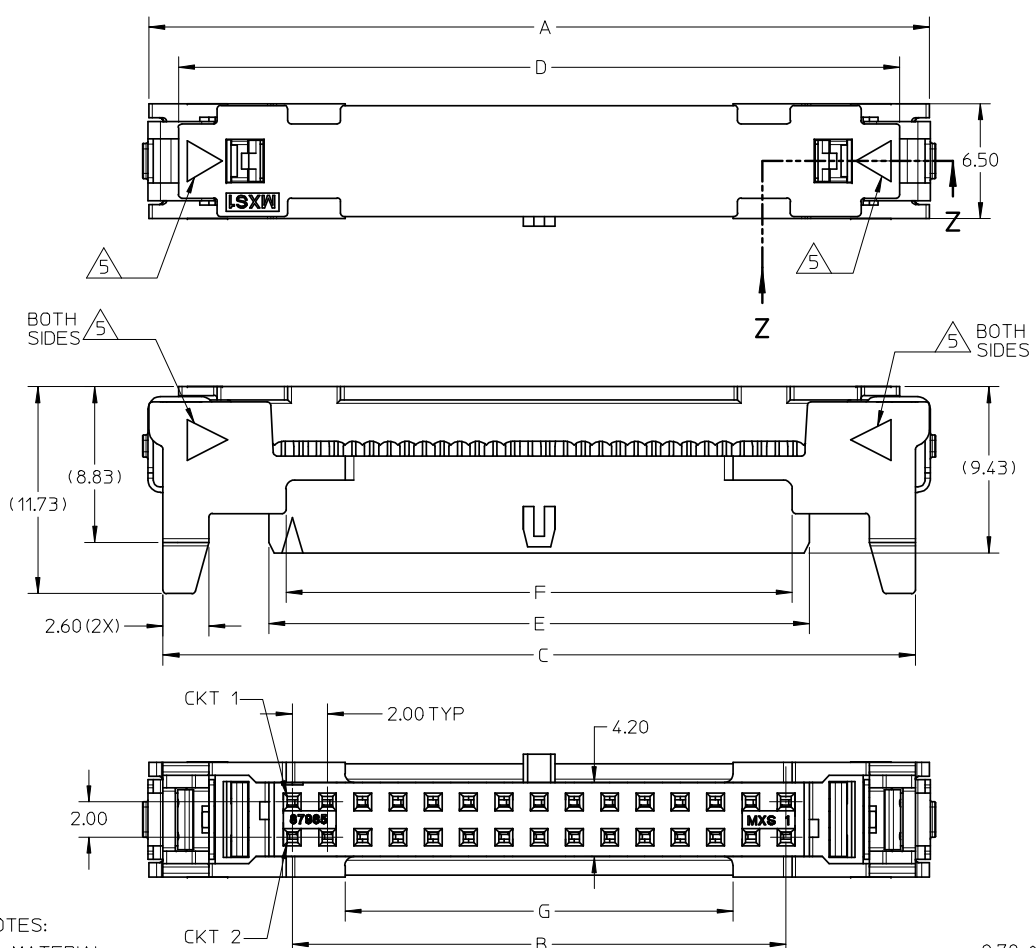
**Search Parts in this Series**

[87985Series](#)

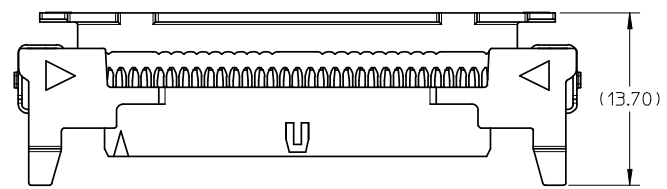
**Mates With**

[87981](#) Straddle Mount Milligrid Header, [87982](#) Vertical Milligrid Header, [87983](#) Surface Mount Milligrid Header, [87984](#) Right Angle Milligrid Header

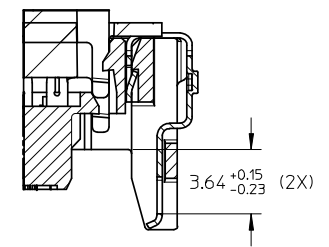
10 9 8 7 6 5 4 3 2 1



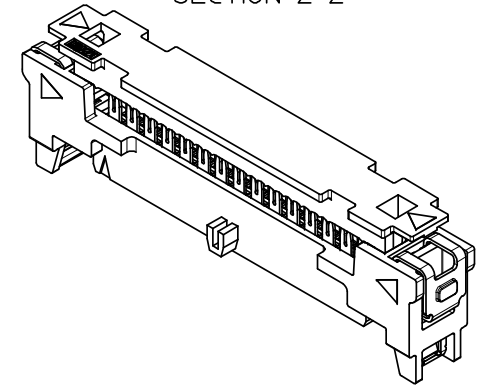
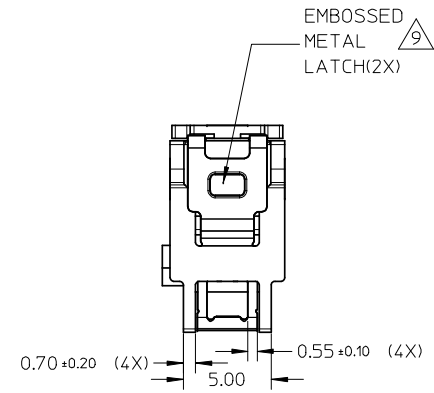
ASSEMBLY P/N	CKT SIZE	DIMENSION						
		A	B	C	D	E	F	G
87985-3030	30	44.25	28.00	42.65	40.90	30.55	28.70	22.00
87985-3040	40	54.25	38.00	52.65	50.90	40.55	38.70	32.00
87985-3044	44	58.25	42.00	56.65	54.90	44.55	42.70	36.00
87985-3050	50	64.25	48.00	62.65	60.90	50.55	48.70	42.00



UPPER HOUSING IN OPEN POSITION



SECTION Z-Z



- NOTES:
- MATERIAL :  
HOUSING : PBT, GLASS FILLED, UL94V-0, COLOR: GRAY, PANTONE CODE: COOL GRAY 8C (CLOSEST MATCH)  
UPPER HOUSING: PA66, GLASS FILLED, UL94V-0, COLOR: GRAY, PANTONE CODE: COOL GRAY 8C (CLOSEST MATCH)  
TERMINAL : COPPER ALLOY.
  - PLATING:  
0.38μM GOLD IN CONTACT AREA AND 1.88μM TIN IN IDT AREA OVER 1.25μM NICKEL OVERALL
  - FOR ILLUSTRATION PURPOSES, 30 CIRCUIT SIZE WAFER IS SHOWN.
  - THIS IS A LEAD FREE PRODUCT.
  - BLUE COLOR PRINT, PANTONE CODE 300C
  - PRODUCT SPECIFICATION : PS-87985-026
  - PRODUCTS ARE PACKED IN TRAY.
  - PRODUCTS ARE MATED WITH 87981, 87982, 87983, 87984 SERIES.
  - LATCHES ARE NOT TO BE DEPRESSED DURING MATING.

REMOVE SERIES NO. EC NO: S2008-0476 DRWN: JIAN02 CHKD: BOKOK APPR: KCLING	QUALITY SYMBOLS ▽=0 ◻=0	GENERAL TOLERANCES (UNLESS SPECIFIED)		DIMENSION STYLE MM ONLY		SCALE NTS	DESIGN UNITS METRIC	THIRD ANGLE PROJECTION		
			mm	INCH	DRAWN BY YLQIAO	DATE 2005/07/01	TITLE MGRID, 2.00 IDT RECEPT. W/EMBOSSMENT METAL LATCH			
		4 PLACES	± ---	± ---	CHECKED BY BOKOK	DATE 2005/07/13	MOLEX INCORPORATED DOCUMENT NO. SD-87985-014 SHEET NO. 1 OF 1			
		3 PLACES	± ---	± ---	APPROVED BY PTLIM	DATE 2005/07/13				
2 PLACES	± 0.2	± ---	DRAFT WHERE APPLICABLE MUST REMAIN WITHIN DIMENSIONS		SEE TABLE		THIS DRAWING CONTAINS INFORMATION THAT IS PROPRIETARY TO MOLEX INCORPORATED AND SHOULD NOT BE USED WITHOUT WRITTEN PERMISSION			
1 PLACE	± ---	± ---	ANGULAR ± 3 °		MATERIAL NO.		SIZE A3			

9 8 7 6 5 4 3 2 1