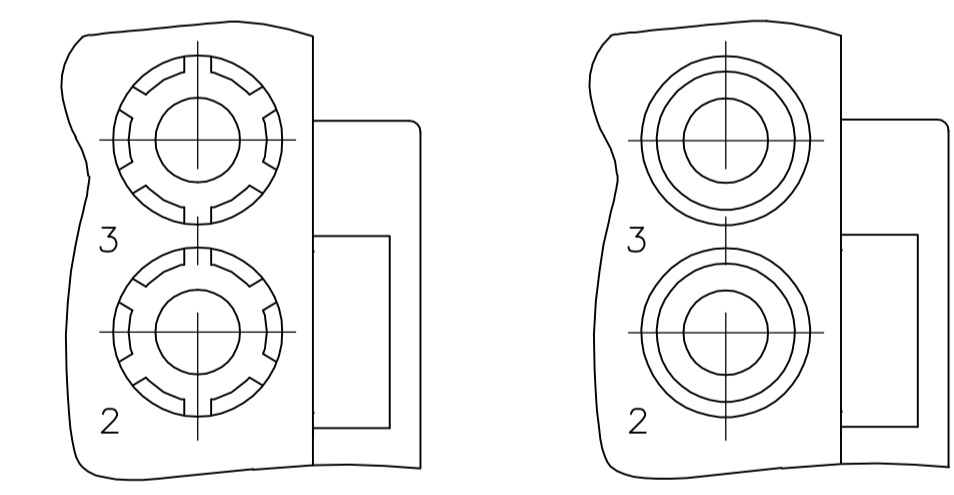
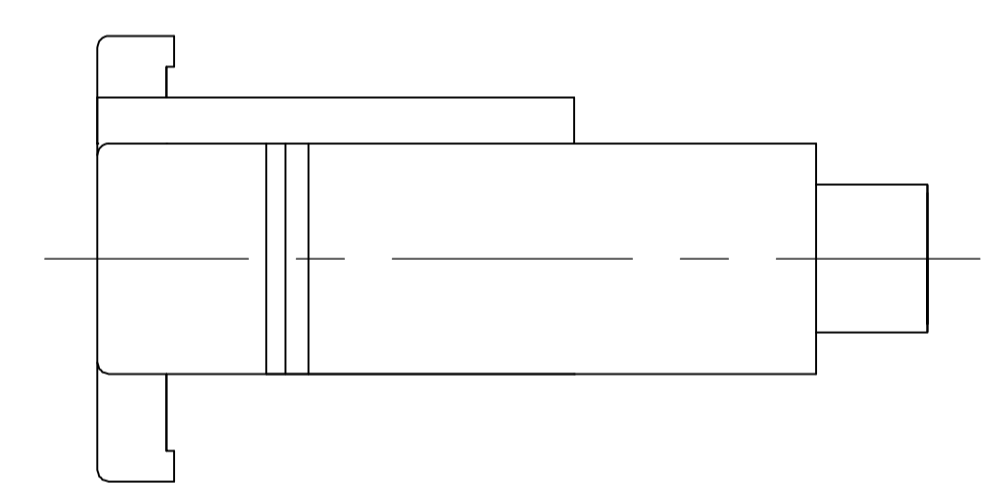
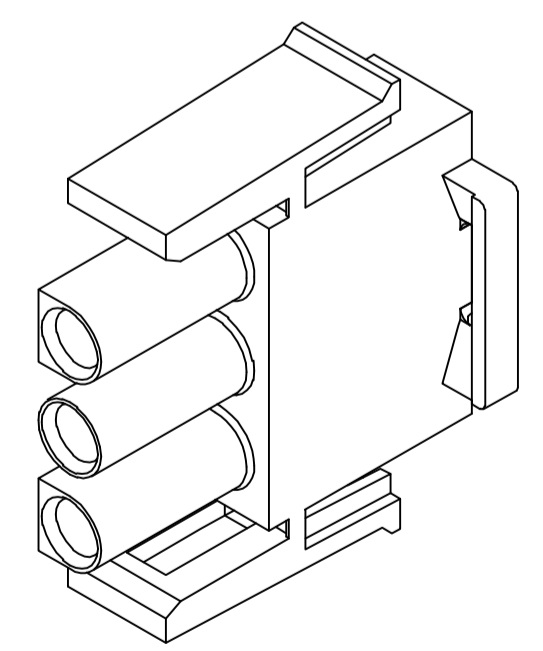


1. MATES WITH APPROPRIATE UNIVERSAL MATE-N-LOK™ CAP OR HEADER.
2. SMALL NICKS ARE PERMITTED ON THE CIRCUIT TOWERS WHICH COULD INCREASE THE INITIAL HOUSING MATING FORCE BY UP TO 4.4 NEWTONS [1.0 LBS]. NO INDIVIDUAL NICKED TOWER SHALL INCREASE THIS FORCE BY OVER 2.2 NEWTONS [.5 LBS].
3. DIMENSION INDICATED IS AS MOLDED. ADDITIONAL GROWTH DUE TO SUBSEQUENT MOISTURE ABSORPTION MAY OCCUR.
4. FOUR RIBS EQUALLY SPACED, NO SPECIFIC ORIENTATION. NO RIBS OR SIX RIBS EQUALLY SPACED, NO SPECIFIC ORIENTATION, OPTIONAL.
5. UNDERWRITERS RECOGNIZED COMPONENT LOGO AND CSA CERTIFICATION LOGO TO BE LOCATED ONCE EACH ON SIDE OF HOUSING.



DETAIL A
OPTIONAL CONSTRUCTION



3-DIMENSIONAL MODEL
NTS

BLACK	1-480700-9
GREY	1-480700-8
BLUE	1-480700-6
GREEN	1-480700-5
YELLOW	1-480700-4
ORANGE	1-480700-3
RED	1-480700-2
BROWN	1-480700-1
NATURAL	1-480700-0
COLOR	PART NUMBER

27.43	1.080
20.32	.800
14.73	.580
11.68	.460
7.62	.300
0.38	.015
0.13	.005
MM	IN

CONVERSION TABLE

METRIC

THIS DRAWING IS A CONTROLLED DOCUMENT.

DIMENSIONS:	TOLERANCES UNLESS OTHERWISE SPECIFIED:	REV	DATE	BY	APP'D
mm	0.13	R	18JAN95	VESTAL	18JAN95
	± .13	R	18JAN95	SWING	18JAN95
	± .005	D	18JAN95	SELF	18JAN95
	± .005	NAME			
	± .005	Tyco Electronics Corporation			
	± .005	Harrisburg, Pa 17105-3608			
	± .005	SIZE			
	± .005	SCALE			
	± .005	SHEET			
	± .005	REV			
	± .005	AR			

MATERIAL: NYLON, UL 94V-2

WEIGHT: ---

CUSTOMER DRAWING

SCALE: 4:1

SHEET: 1 OF 2

REV: AR

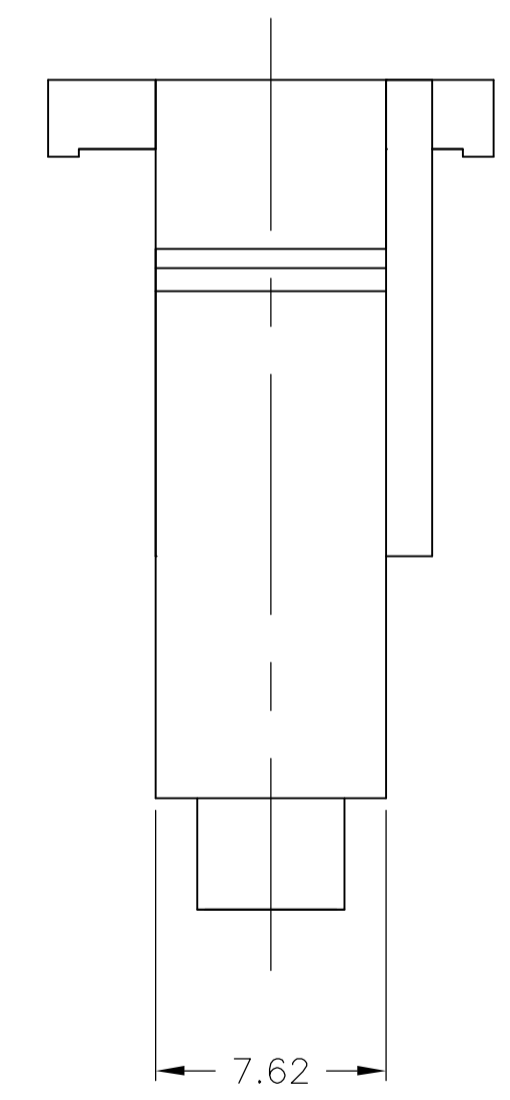
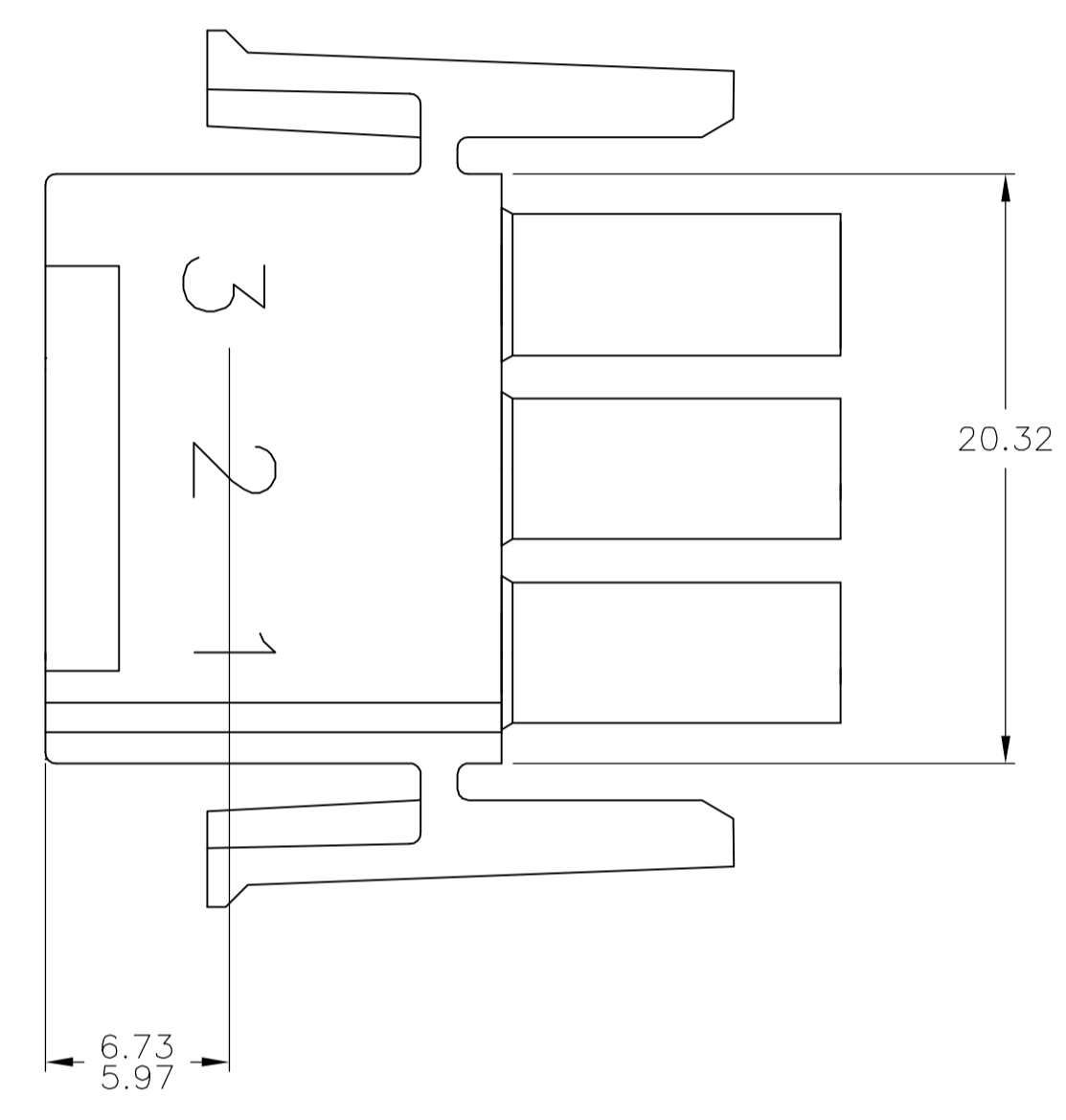
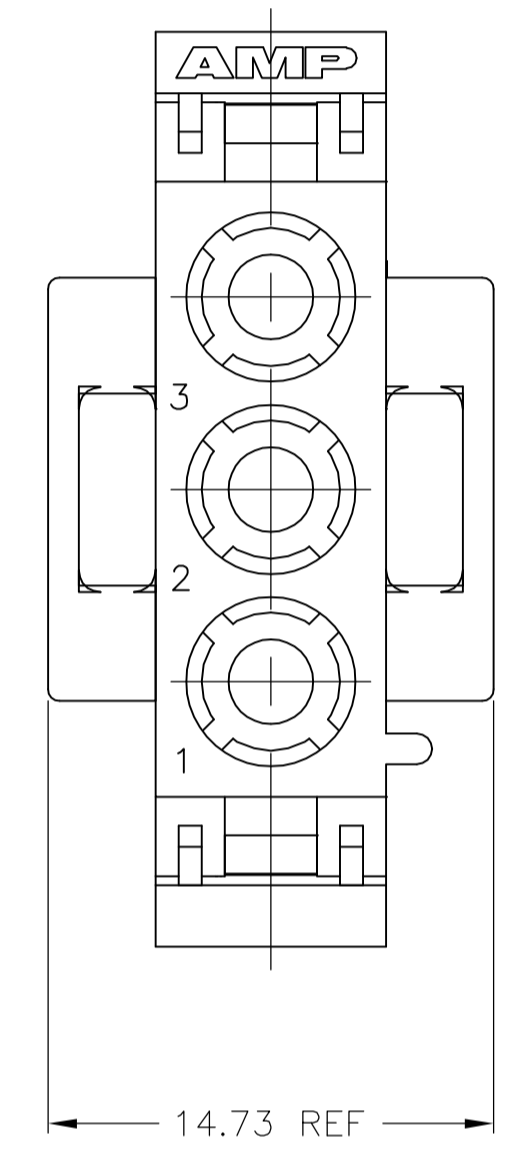
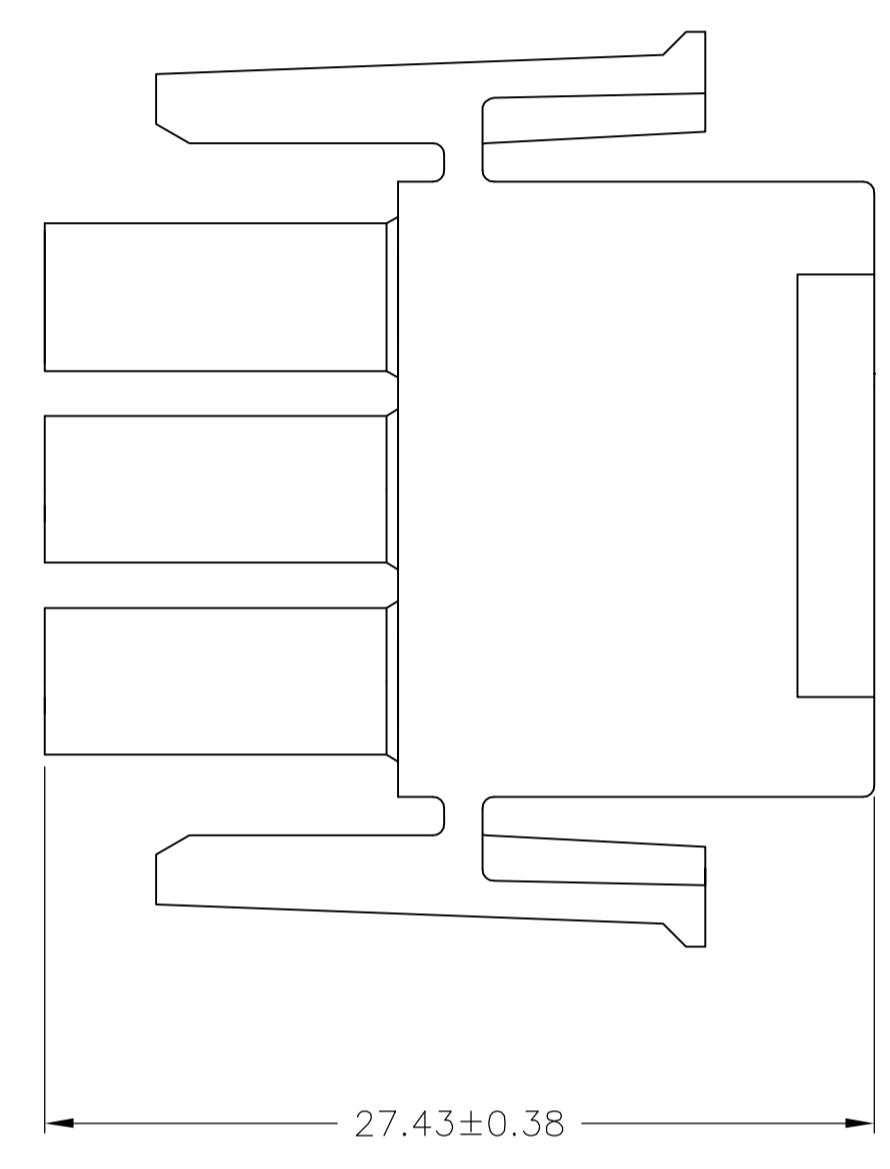
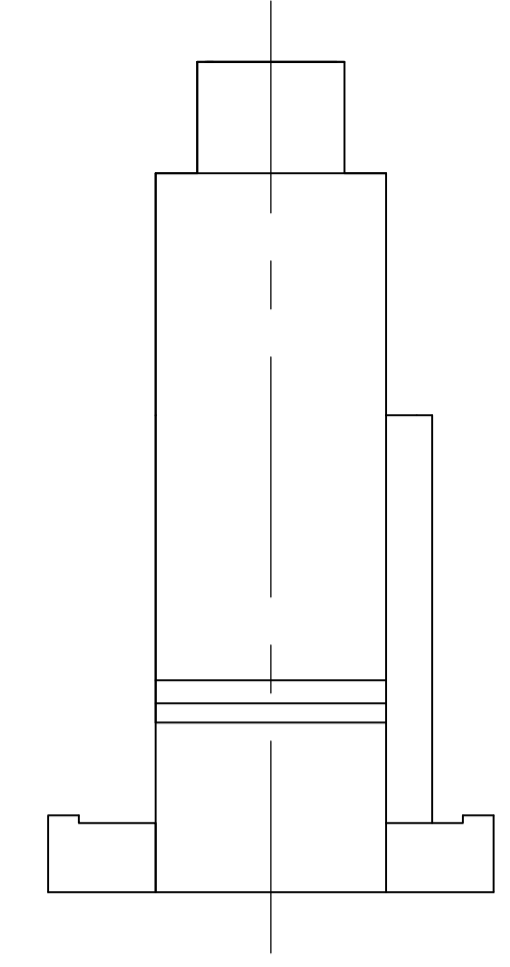
PLUG, 3 CIRCUIT, UNIVERSAL MATE-N-LOK(TM)

SIZE: A1

CAUSE CODE: 00779

DRAWING NO: 480700

RESTRICTED TO: ---



1. STAMP NUMBERS 3.18 HIGH AT WIRE END OF HOUSING (12 POINT DAVID TYPE).
2. CHARACTERS TO BE POSITIONED ON HOUSING TO BE READ FROM WIRE END ONLY.
3. VIOLET, BLACK, BROWN AND BLUE COLORED BLOCKS TO BE STAMPED WITH WHITE CHARACTERS. ALL OTHER COLORED BLOCKS TO BE STAMPED WITH BLACK CHARACTERS.

6.73	.265	-	-
5.97	.235	27.43	1.080
3.18	.125	20.32	.800
0.38	.015	14.73	.580
0.13	.005	7.62	.300
MM	IN	MM	IN

CONVERSION TABLE

NATURAL	2-480700-0
COLOR	PART NUMBER

THIS DRAWING IS A CONTROLLED DOCUMENT.		DIN R VESTAL 18JAN95		Tyco Electronics Corporation Harrisburg, Pa 17105-3608	
DIMENSIONS: mm		CHK R SWING 18JAN95		APVD D SELF 18JAN95	NAME
TOLERANCES UNLESS OTHERWISE SPECIFIED:		0 PLC ± -		PRODUCT SPEC	
1 PLC ± -		2 PLC ± 0.13		APPLICATION SPEC	
3 PLC ± -		4 PLC ± -		SIZE	
ANGLES ± 0° 30'		FINISH -		WEIGHT	
MATERIAL NYLON, UL 94V-2		RESTRICTED TO		CUSTOMER DRAWING	
SCALE 4:1		SHEET 2 OF 2		REV AR	

METRIC