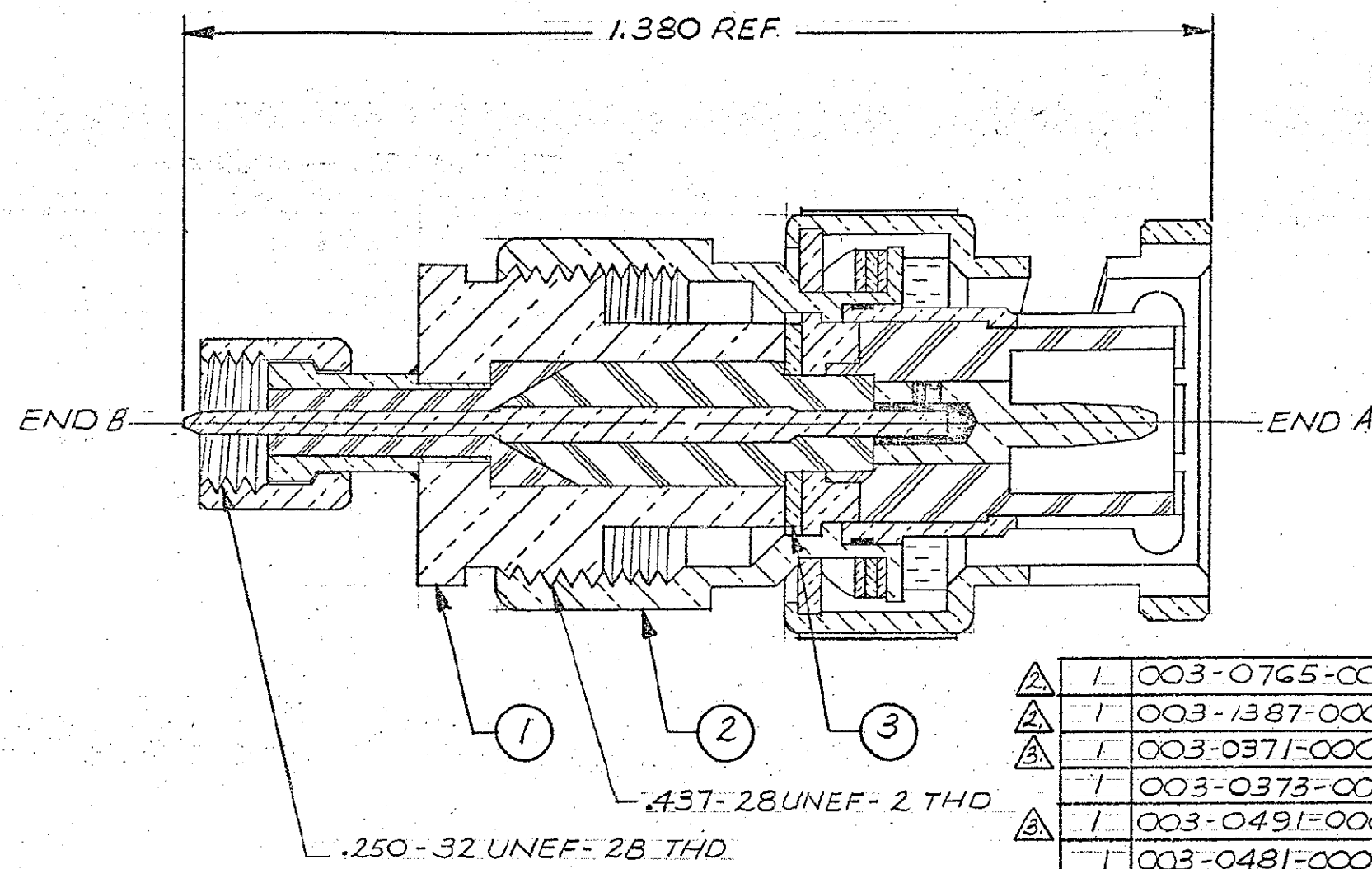


REVISIONS					
ZONE	LTR	ECN	DESCRIPTION	DATE	APPROVED
	F	25929	REVISED & REDRAWN ORIGINAL RELEASE 1-14-59 BY (G.K.P.)	7-15-81	<i>hgy</i>
	G	27004	CONTACT, PIN IS: 003-0371-0002 WAS: 003-1351-0002	1/28/83	<i>hgy</i>



QTY	PART NO.	DESCRIPTION	MAT'L AND SPEC.	ITEM NO.
1	003-0765-0001	WASHER	BRASS PER QQ-B-613	3
1	003-1387-0001	PLUG SUBASSY, BNC UG-88/U		2
1	003-0371-0002	CONTACT, PIN	BRASS PER QQ-B-626	
1	003-0373-0001	INSULATOR	TEFLON PER L-P-403	
1	003-0491-0002	CONTACT, PIN	BRASS PER QQ-B-626	
1	003-0481-0001	INSULATOR	TEFLON PER L-P-403	
1	003-0484-0000	HOUSING	BRASS PER QQ-B-626	
1	003-0187-0000	FERRULE	BRASS PER QQ-B-626	
1	003-0676-0000	NUT	BRASS PER QQ-B-626	
1	003-0490-0001	HOUSING SUBASSY		
1	003-0642-0001	ADAPTER SUBASSY, S-93 PLUG		1

NOTES: UNLESS OTHERWISE SPECIFIED,
 1. END B MATES WITH 93 SERIES SCREW TYPE JACKS AND RECEPTACLES.
 2. END A MATES WITH ALL BNC SERIES JACKS AND RECEPTACLES.
 3. SILVER PLATE .0002 MIN. PER QQ-S-365, TYPE II, GRADE A.
 4. GOLD PLATE PER MIL-G-45204, TYPE II, GRADE C, CLASS I.

APPLICATION		DO NOT SCALE DRAWING		CONTRACT NO.		MATERIAL		MATERIAL	
NEXT ASSY	USED ON	UNLESS OTHERWISE SPECIFIED DIMENSIONS ARE IN INCHES TOLERANCES ARE:	CONTRACT NO.	APPROVALS	DATE	MALCO A MICRODOT COMPANY, INC. 306 PASADENA AVE., SO. PASADENA, CALIF. 91030		ADAPTER	
		FRACTIONS DECIMALS ANGLES		DRAWN HENNY G.	8/30/80	BNC PLUG TO S-93 PLUG		PROD. CODE 731	CODE CDM
		± .XX ± ± XXX ± .010		CHECKED <i>Ey Han</i>	7/10/81				
		MATERIAL NOTED		PR. ENG. <i>hgy</i>	7/14/81				
		FINISH NOTED		APPROVED		SIZE B	CODE IDENT NO. 98278	DRAWING NO. 033-0111-0001	
				These drawings and specifications are the property of Microdot Inc. and shall not be divulged, reproduced or copied, or used as the basis for the manufacture or sale of any article without written permission of Microdot Inc.		SCALE 5X	SHEET 1 OF 1		

BISHOP GRAPHICS/ACCUPRESS REORDER NO. 2196