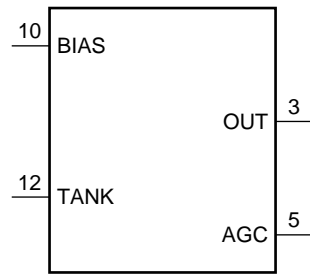
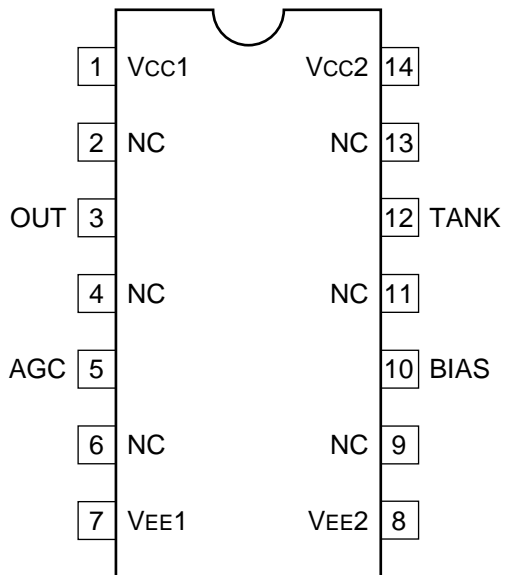


ECL VOLTAGE CONTROLLED OSCILLATOR

—TOP VIEW—



SUPPLY VOLTAGE	SUPPLY PINS	GND PINS
+5.0 Vdc	1, 14	7, 8
-5.0 Vdc	7, 8	1, 14