

Surge suppressors, EMC compliant for VFP7 series



FN325...

Description	Qty per pkg	Weight	Catalog number
Motor drive ratings	n°	[kg]	
25HP	1	1.400	FN3258 42 47
30HP	1	1.800	FN3258 55 52
40-50HP	1	3.200	FN3258 75 52
60HP	1	4.300	FN3258 100 35
75HP	1	4.500	FN3258 130 35
100HP	1	6.500	FN3359 150 28
125HP	1	6.500	FN3359 180 28
150HP	1	7.000	FN3359 250 28
180-220HP	1	10.500	FN3359 320 99
270HP	1	10.500	FN3359 400 99
300-380-430HP	1	11.000	FN3359 600 99

Contact Sales & Technical Support for pricing.

General characteristics

The high actuation EMC compliant SCHAFFNER surge suppressors are used to assure electromagnetic compatibility, class A, to the VFP7 drives.

Operational characteristics

- Input voltage: 440VAC
- Maximum voltage input: 480VAC at 50°C
- Rated frequency: 50-60Hz at 50°C
- Operating temperature: -13 to +212°F (-25 to +100°C)
- Housing: metal.

Certifications and compliance

UL recognition for USA and Canada, File E 64388.
Compliant with standards: UL 1283, CSA 22.2 no.8 1986, EN 133200.

www.DataSheet4U.com

Surge suppressors, EMC compliant for VFP7 series



FN325...



Order code	Description	Qty per pkg	Weight
	Motor drive ratings	n°	[kg]
FN3258 42 47	18.5kW	1	1.400
FN3258 55 52	22kW	1	1.800
FN3258 75 52	30-37kW	1	3.200
FN3258 100 35	45kW	1	4.300
FN3258 130 35	55kW	1	4.500
FN3359 150 28	75kW	1	6.500
FN3359 180 28	90kW	1	6.500
FN3359 250 28	110kW	1	7.000
FN3359 320 99	132-160kW	1	10.500
FN3359 400 99	200kW	1	10.500
FN3359 600 99	220-280-315kW	1	11.000

General characteristics

The high actuation EMC compliant SCHAFFNER surge suppressors are used to assure electromagnetic compatibility, class A, to the VFP7 drives.

Operational characteristics

- Input voltage: 440VAC
- Maximum voltage input: 480VAC at 50°C
- Rated frequency: 50-60Hz at 50°C
- Operating temperature: -25 to +100°C
- Housing: metal.

Certifications and compliance

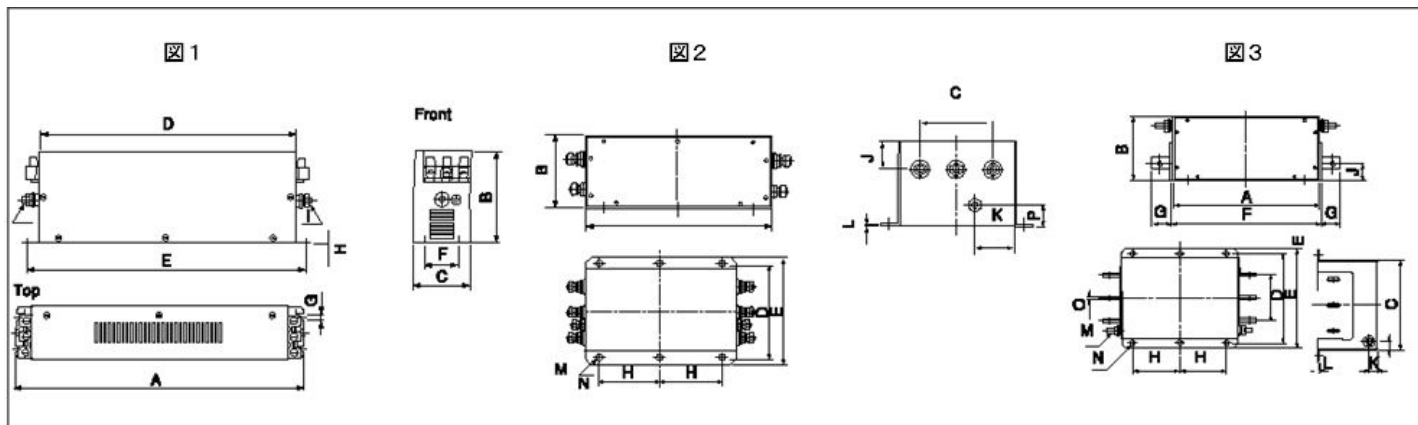
Certifications obtained: cULus (Recognition).
Compliant with standards: UL 1283, CSA 22.2 no.8 1986, EN 133200.

www.DataSheet4U.com

Abmessungen Netzeingangsfiler

FU-Typ	Filtertyp	Breite	Höhe	Tiefe	Bohrlöcher		
					Abstand		Durchmesser
					vertikal	horizont.	
VF-A7 ... P-C1		mm	mm	mm	mm	mm	mm
4007PL-4150PL	Filter integriert						
4185P	FN3258-55/52	85	250	90	235	60	5,4
4220P	FN3258-55/52	85	250	90	235	60	5,4
4300P	FN3258-75/52	80	270	135+-1	255	60	6,5
4370P1	FN3258-100/35	90+-0,8	270	150+-1	255	65	6,5
4450P1	FN3258-130/35	90+-0,8	270	150+-1	255	65	6,5
4550P1	FN3258-130/35	90+-0,8	270	150+-1	255	65	6,5
4750P1	FN3359-180/28	210	300	120	120/240	185	12
4110KP1	FN3359-320/99	260	306	115	120/240	235	12
4132KP1	FN3359-320/99	260	306	115	120/240	235	12
4160KP1	FN3359-400/99	260	306	115	120/240	235	12
4220KP1	FN3359-600/99	260	306	135	120/240	235	12
4280KP1	FN3359-1000/99	280	356	170	145/290	255	12

www.DataSheet4U.com



MIF330B の寸法C1 はA 図をご参照下さい。

型式	図	A	B	C	D	E	F	G	H	I	J	K	M	N	O	P	備考
FN3258-7-45	A	190	70	40	160	180	20	4.5	-	M5	-	-	-	-	-	-	
FN3258-16-45	A	250	70	45	220	235	25	5.4	-	M5	-	-	-	-	-	-	
FN3258-30-47	A	270	85	50	240	255	30	5.4	-	M5	-	-	-	-	-	-	
FN3258-42-52	A	310	85	50	280	295	30	5.4	-	M6	-	-	-	-	-	-	
FN3258-55-52	A	250	90	85	220	235	60	5.4	-	M6	-	-	-	-	-	-	
FN3258-75-52	A	270	135	80	240	255	60	6.5	-	M6	-	-	-	-	-	-	
FN3258-100-35	A	270	150	90	240	255	65	6.5	-	M10	-	-	-	-	-	-	
FN3258-130-35	A	270	150	90	240	255	65	6.5	-	M10	-	-	-	-	-	-	
FN3258-180-40	A	380	120	120	350	365	102	6.5	-	M10	-	-	-	-	-	-	
FN3359-250-99	B	300	125	180	205	230	-	-	120	110	40	62.5	M10	-	-	35	
FN3359-320-99	C	300	115	210	235	260	306	40	120	60	35	20	M12	12	6	-	
FN3359-400-99	C	300	115	210	235	260	306	40	120	60	35	20	M12	12	6	-	
FN3359-600-99	C	300	135	210	235	260	306	40	120	60	35	20	M12	12	8	-	
FN3258-1000-99	C	350	170	230	235	280	305	50	145	60	64	25	M12	12	8	-	