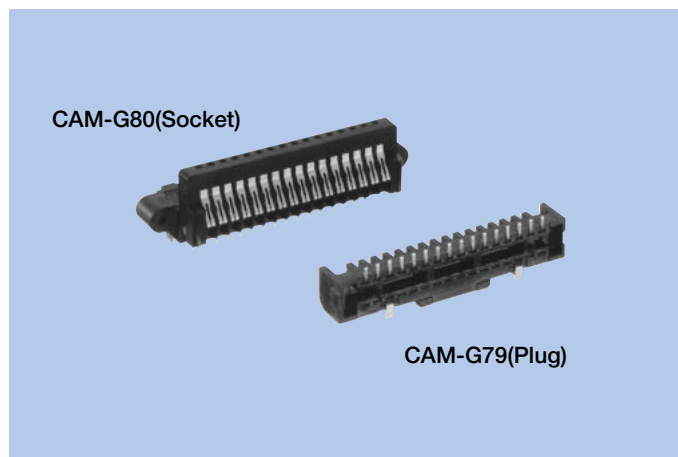


Detach Connectors CAM-G79 · G80

OUTLINE

1. These are 16-pole connectors used for attaching and removing the operation panel to and from the unit.
2. The coupling configuration allows rotation coupling and horizontal mounting.
3. The plug supports automatic mounting, so is available with a cap to prevent flux from sticking during soldering.
4. The L-type socket supports dip soldering.



HOW TO ORDER

1. CAM-G79(Plug)

G79-016-020-AGGAH- ₁ ₂

1 Series No.(G79)

2 Specification partition

(None : Correspond to reflow with cap)

(-1 : Correspond to handwork without cap)

2. CAM-G80(Socket)

G80-016-020-AGAAB ₁

1 Series No.(G80)

SPECIFICATIONS

ELECTRICAL CHARACTERISTICS

Rated Voltage	14V DC
Rated Current	1A
Withstanding Voltage	500V AC (rms) 1minute
Insulation Resistance	100MΩ min. (at 500V DC)
Contact Resistance	70mΩ max.

MECHANICAL CHARACTERISTICS

Life (Matching Cycle)	15,000 times
Total Insertion Force	12.54N (1.28kgf) max.
Overall Rebound Force	12.54N (1.28kgf) max.
Using Temperature Range	-30~+85°C

MATERIAL & FINISH

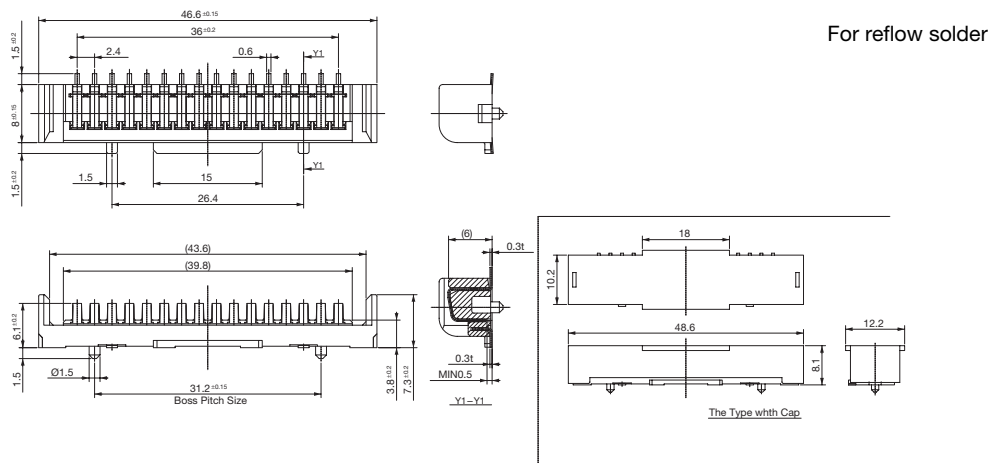
Component Parts		Material	Finish
CAM-G79	Housing	PPS resin	(Black)
	Contact	Copper Alloy	Gold plating
	Cap	SPS resin	(Black)
CAM-G80	Housing	PBT resin	(Black)
	Contact	Copper Alloy	Gold plating

Delivery Form

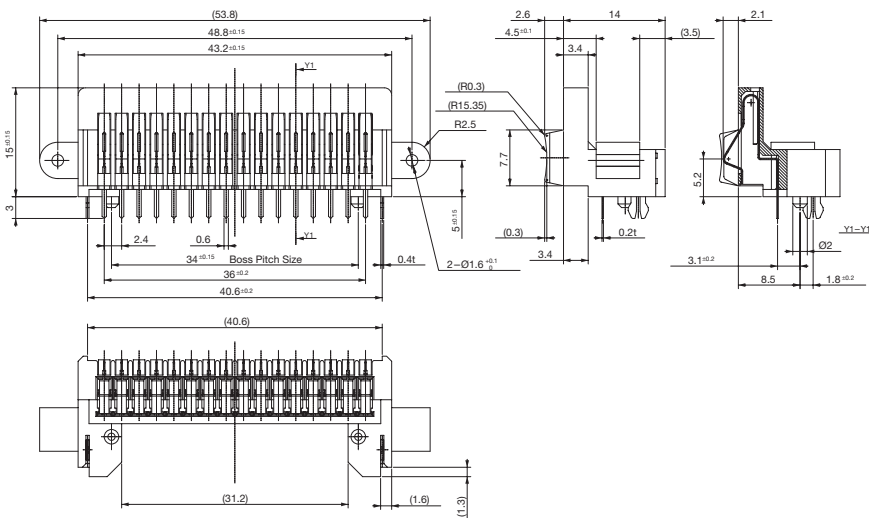
	CAM-G79	CAM-G80
Packing Form	Tray	Tray
Number of Standard Storage	With cap, 50/Tray, Without cap 115/Tray	75/Tray

DIMENSIONS

CAM-G79



CAM-G80



Unit: mm