

### 3.2mm x 1.6mm SMD CHIP LED LAMP

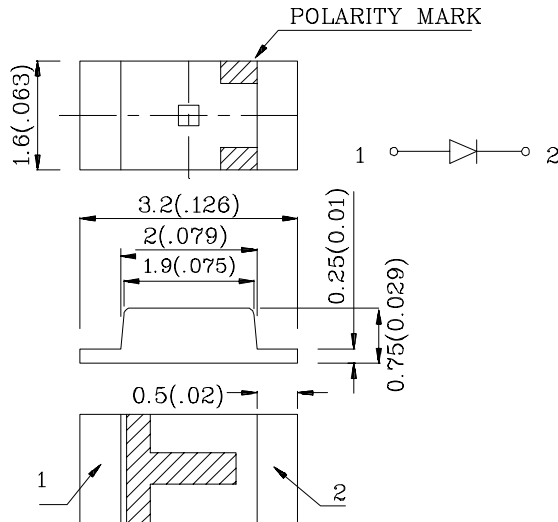
XZMO55W-1



# SUN LED

Email : sales@us.sunled.com

Web Site : www.sunled.com



**Notes:**

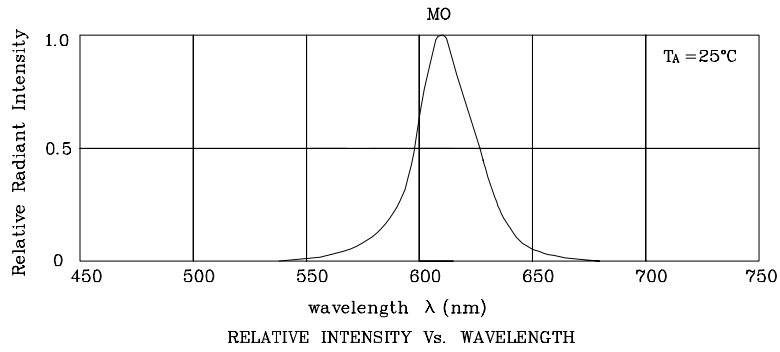
1. All dimensions are in millimeters (inches).
2. Tolerance is  $\pm 0.2(0.0079)$  unless otherwise noted.

Absolute maximum ratings ( $T_A=25^\circ\text{C}$ )		MO (InGaAlP)	Unit
Reverse voltage	$V_R$	5	V
Forward current	$I_F$	30	mA
Forward current (peak) 1/10Duty cycle 0.1ms pulse width	$i_{FS}$	195	mA
Power dissipation	$P_T$	75	mW
Operating temperature	$T_A$	-40 ~ +85	°C
Storage temperature	$T_{stg}$	-40 ~ +85	

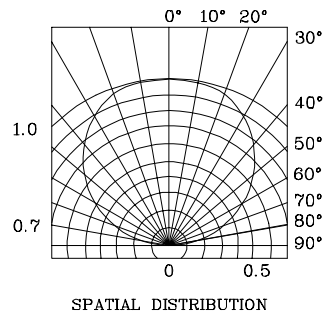
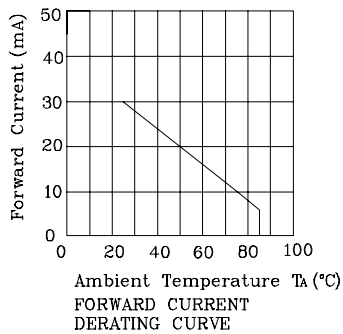
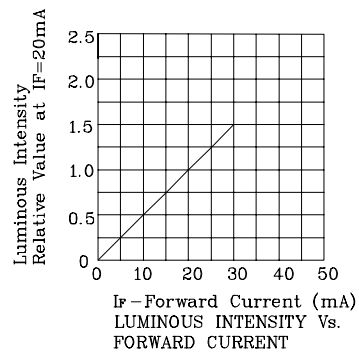
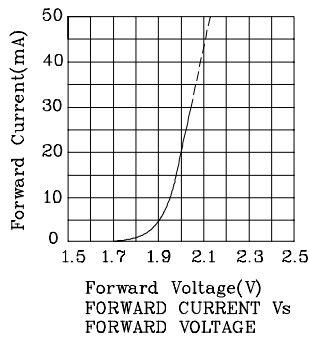
Operating Characteristics ( $T_A=25^\circ\text{C}$ )		MO (InGaAlP)	Unit
Forward voltage (typ.) ( $I_F=20\text{mA}$ )	$V_F$	2.0	V
Forward voltage (max.) ( $I_F=20\text{mA}$ )	$V_F$	2.5	V
Reverse current ( $V_R=5\text{V}$ )	$I_R$	10	uA
Wavelength at peak emission ( $I_F=20\text{mA}$ )	$\lambda_{peak}$	610	nm
Wavelength at Dominate emission ( $I_F=20\text{mA}$ )	$\lambda_D$	601	nm
Spectral Line half-width ( $I_F=20\text{mA}$ )	$\Delta\lambda$	29	nm
Capacitance ( $V_F=0\text{V}$ , $f=1\text{MHz}$ )	C	30	pF

Part Number	Emitting Color	Emitting Material	Lens-color	Luminous Intensity ( $I_F=20\text{mA}$ ) mcd		Wavelength nm $\lambda_P$	Viewing Angle $2\theta_{1/2}$
				min.	typ.		
XZMO55W-1	Orange	InGaAlP	Water Clear	70	195	610	120°

**XZMO55W-1**

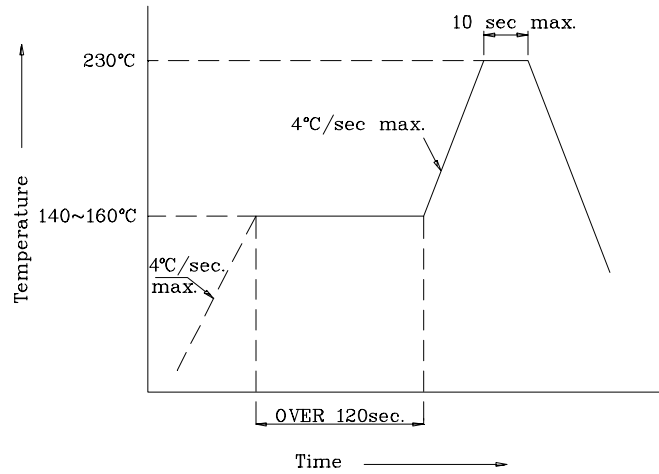


❖MO

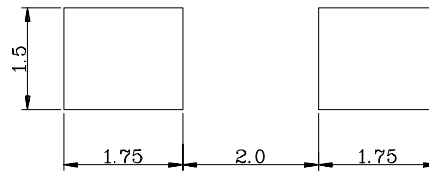


# XZMO55W-1

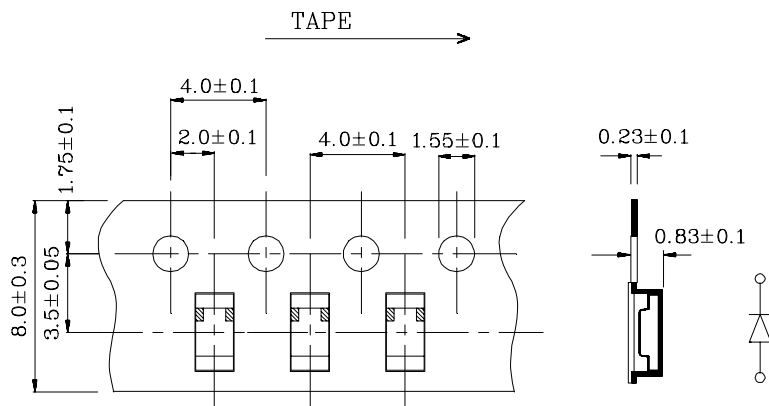
## ❖SMT Reflow Soldering Instructions



## ❖Recommended Soldering Pattern (Units : mm; Tolerance: ± 0.1)



## ❖Tape Specification (Units : mm)



PACKAGE : 2000PCS / REEL.