



MODEL NO: 94-22VGC/S2

Device Number : DSE-942-005 REV. 1.3

High Performance with Reflector LEDs

ECN : Page: 1/4

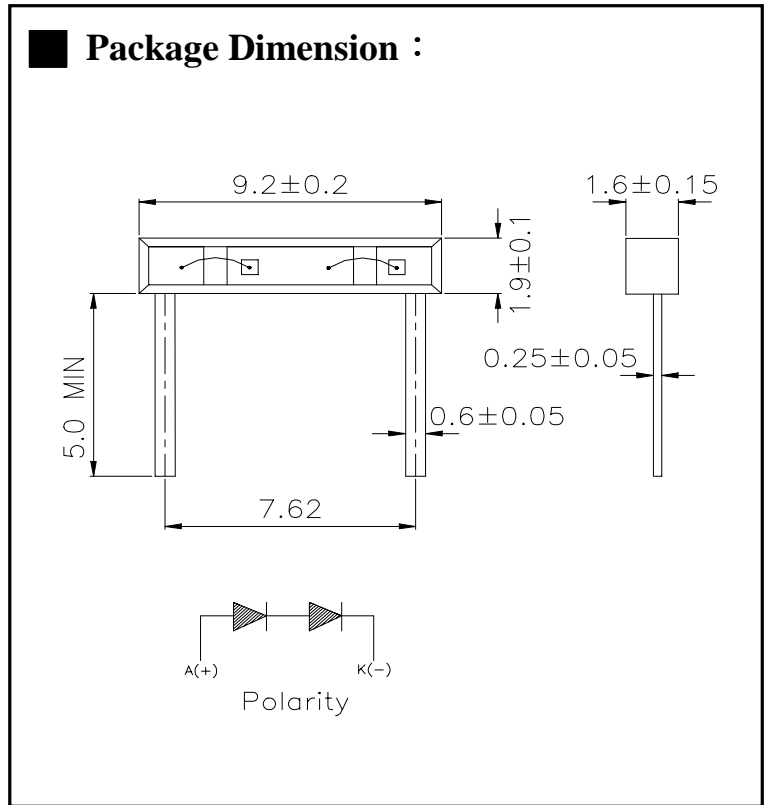
Features :

- Compatible with automatic placement equipment.
- Compatible with infrared and vapor phase reflow solder process.
- Eia std package.
- IC compatible.

Applications :

- Automotive: backlighting in dashboard and switch,
- Telecommunication: indicator and backlighting in telephone and fax.
- Indicator and backlight for audio and video equipment.
- Indicator and backlight for battery driven equipment.
- Small indicator for outdoor applications.
- Indicator and backlight in office equipment.
- Flat backlight for LED, switches and symbol.
- General use.

Package Dimension :



Notes :

Tolerances Unless Dimension ±0.1mm
 Angle ±0.5°
 Unit = mm

PART NO	CHIP		Lens Color
	Material	Emitted Color	
94-22VGC/S2	Gap	Green	Water Clear

Office: NO 25,Lane.76, Chung Yang Rd., Sec.3, Tucheng, Taipei 236, Taiwan, R.O.C.
 TEL: 886-2-2267-2000, 2266-9936(22 Lines)
 FAX: 886-2-2267-6189
<http://www.everlight.com>



EVERLIGHT ELECTRONICS CO., LTD.

MODEL NO: 94-22VGC/S2

Device Number : DSE-942-005 REV. 1.3

High Performance with Reflector LEDs

ECN : _____ Page: 2/4

■ Absolute Maximum Ratings at Ta = 25°C

Parameter	Symbol	Rating	Unit
Reverse Voltage	Vr	5	V
Forward Current	If	30	mA
Operating Temperature	Topr	-40~+85	°C
Storage Temperature	Tstg	-40~+90	
Soldering Temperature	Tsol	260(for 5second)	°C
Power Dissipation	Pd	100	mW
Peak Forward Current(Duty 1/10 @ 1KHZ)	If(Rec.)	160	mA

■ Electronic Optical Characteristics :

Parameter	Symbol	Min.	Typ.	Max.	Unit	Condition
Luminous intensity	Iv	35	45	-----	mcd	If=20mA
Viewing Angle	2θ 1/2	-----	130	-----	deg	If=20mA
Peak Wavelength	λ p	-----	570	-----	nm	If=20mA
Dominant Wavelength	λ d	-----	571	-----	nm	If=20mA
Spectrum Radiation Bandwidth	△ λ	-----	30	-----	nm	If=20mA
Forward Voltage	Vf	-----	2.1	2.4	V	If=20mA
Reverse Current	Ir	-----	-----	10	μ A	Vr=5V



EVERLIGHT ELECTRONICS CO., LTD.

MODEL NO: 94-22VGC/S2

Device Number : DSE-942-005 REV. 1.3

High Performance with Reflector LEDs

ECN : _____ Page: 3/4

■ Reliability test item and condition

NO	Item	Test Conditions	Test Hours/Cycle	Sample Size	Ac/Re
1	Solder Heat	TEMP : 260°C ± 5 °C	5 SEC	76 Pcs	0/1
2	Temperature Cycle	H : +85°C 30min ∫ 5 min L : -55°C 30min	50 CYCLE	76 Pcs	0/1
3	Thermal Shock	H : +100°C 5min ∫ 10 sec L : -10°C 5min	50 CYCLE	76 Pcs	0/1
4	High Temperature Storage	TEMP : 100°C	1000 HRS	76 Pcs	0/1
5	High Temperature Storage	TEMP : -55°C	1000 HRS	76 Pcs	0/1
6	DC Operating Life	If = 20 mA	1000 HRS	76 Pcs	0/1
7	High Temperature / High Humidity	85°C/85% RH	1000 HRS	76 Pcs	0/1



EVERLIGHT ELECTRONICS CO., LTD.

MODEL NO: 94-22VGC/S2

Device Number : DSE-942-005 REV. 1.3

High Performance with Reflector LEDs

ECN : _____ Page: 4/4

Typical Electrical, Optical Characteristics

