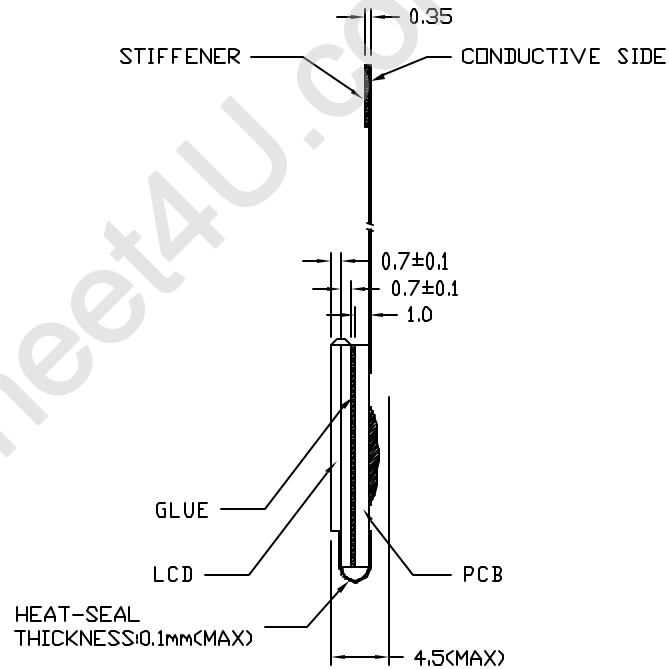
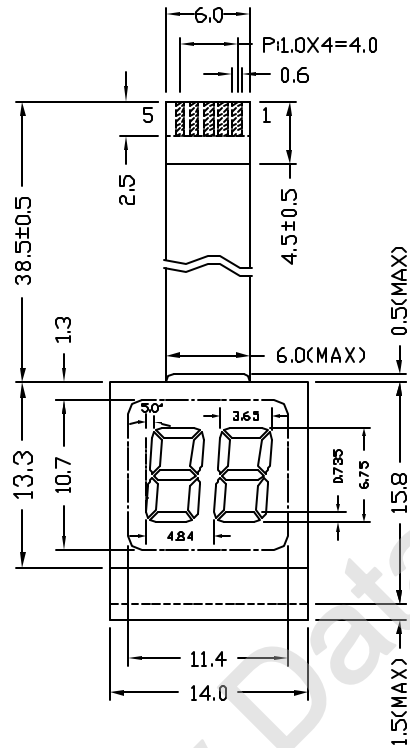


液晶之友 电话: 020-33819057  
 Http://www.lcdfriends.com



NOTES:

- |                              |                     |
|------------------------------|---------------------|
| 1. DISPLAY TYPE:             | TN MODE             |
| 2. VIEWING DIRECTION:        | 6:00                |
| 3. POLARIZER MODE:           | REFLECTIVE/POSITIVE |
| 4. OPERATING TEMP:           | 10°C--+35°C         |
| 5. STORAGE TEMP:             | -10°C--+60°C        |
| 6. VDD:                      | 3.3V                |
| 7. LCD OPERATING VOLTAGE:    | 3.3V                |
| 8. DRIVE METHOD:             | DUTY 1/2 BIAS 1/2   |
| 9. CONTROLLER:               | HT1621              |
| 10. ALL UNMARKED TOLERANCES: | ±0.3mm              |
| 11. WITHOUT BACKLIGHT        |                     |

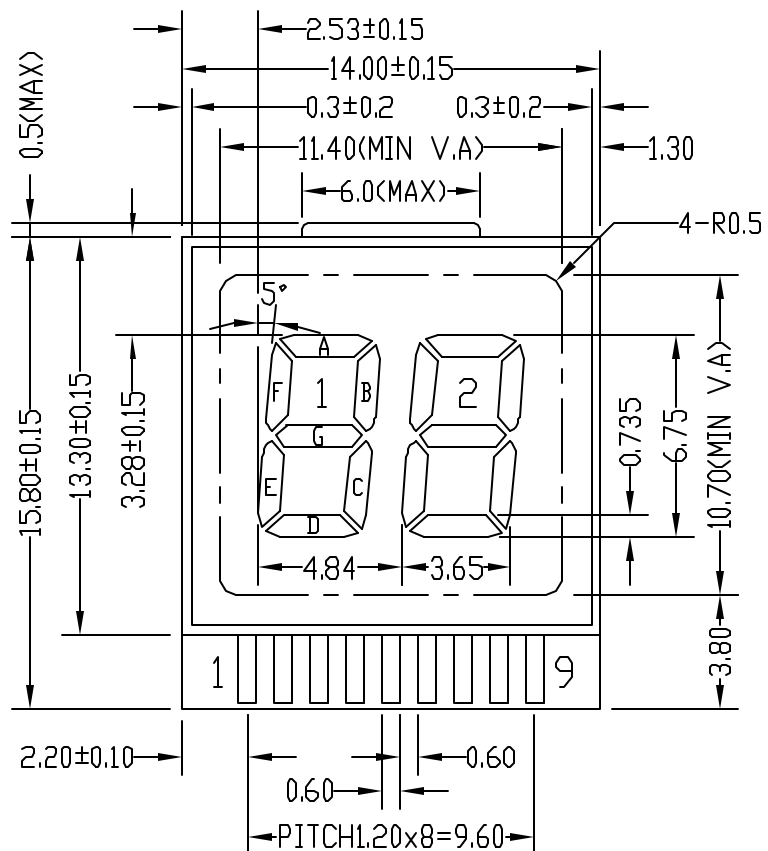
1	2	3	4	5
VDD	VSS	DATA	WR	CS



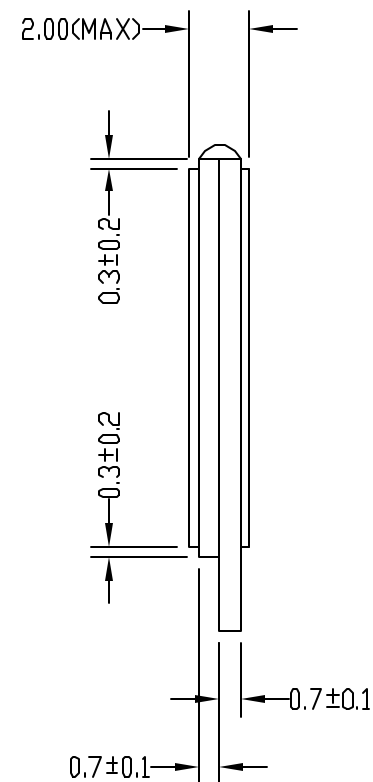
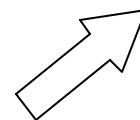
TIAN-MA MICROELECTRONICS CO.

22/F., HANGDU Building, Shennan Road, Central, Shenzhen, China

DRAWN BY:	TITLE: TM0127AAA6	
CHECKED BY:	DWG NO: G-3	
APPROVED BY:	DWG NAME: TM0127AAA6G-3	SCALE:
CONFIRMED BY:	SECRET NO: 0F	UNIT: mm




FRONT



PIN	1	2	3
COM1	COM1	/	1F
COM2	/	COM2	1E
PIN	4	5	6
COM1	1G	1B	2F
COM2	1D	1C	2E
PIN	7	8	9
COM1	2G	2B	1A
COM2	2D	2C	2A

NOTES:

1. DISPLAY TYPE: TN
2. VIEWING DIRECTION: 6:00
3. POLARIZER MODE: REFLECTIVE/POSITIVE
4. DRIVE METHOD: 1/2 DUTY 1/2 BIAS
5. OPERATING VOLTAGE: 3.3V
6. OPERATING TEMP.: 10°C--+35°C
7. STORAGE TEMP.: -10°C--+60°C
8. CONNECTOR: HEAT-SEAL

 <b>TIANMA MICRO-ELECTRONICS CO.,LTD</b> South, 22/F, Hongqiu Building, Catic Zone, Sherman Road, Central, Shenzhen, China.		