

www.datasheet4u.com

FEATURES

- Guaranteed zero reading for 0 volts input
- Auto-zero; auto polarity
- 5pA input current typical
- Single reference voltage
- Latched parallel (full-time) BCD output for LCDs or data busing
- True polarity at zero count for precise null detection
- On-board clock and reference

ORDERING INFORMATION

Part	Temp. Range	Package	Order Number
8052	0°C to 70°C	14 pin plastic DIP	ICL8052CPD
8052	0°C to 70°C	14 pin ceramic DIP	ICL8052CDD
7101	0°C to 70°C	40 pin plastic DIP	ICL7101CPL
7101	0°C to 70°C	40 pin ceramic DIP	ICL7101CDL

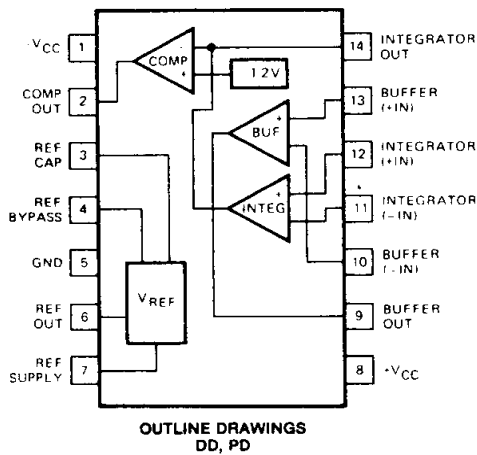
GENERAL DESCRIPTION

The 8052/7101 A/D Pair, with its parallel BCD outputs, is ideally suited for data processing applications or interfacing with 3½-digit Liquid Crystal Displays. No external circuitry is required to demultiplex the information. In addition, it has a "start/reset" input and "busy" output that allows easy synchronization to system requirements. The 8052/7101 provides 4½-digit accuracy in a 3½-digit format with typical system performance like 5pA input leakage, auto-zero to 10μV with less than 1μV/°C drift and Linearity to 0.002%

The 8052/7101 A/D pair also features conversion rate from 10 seconds to 30 per second, making them ideally suited for a wide variety of applications.

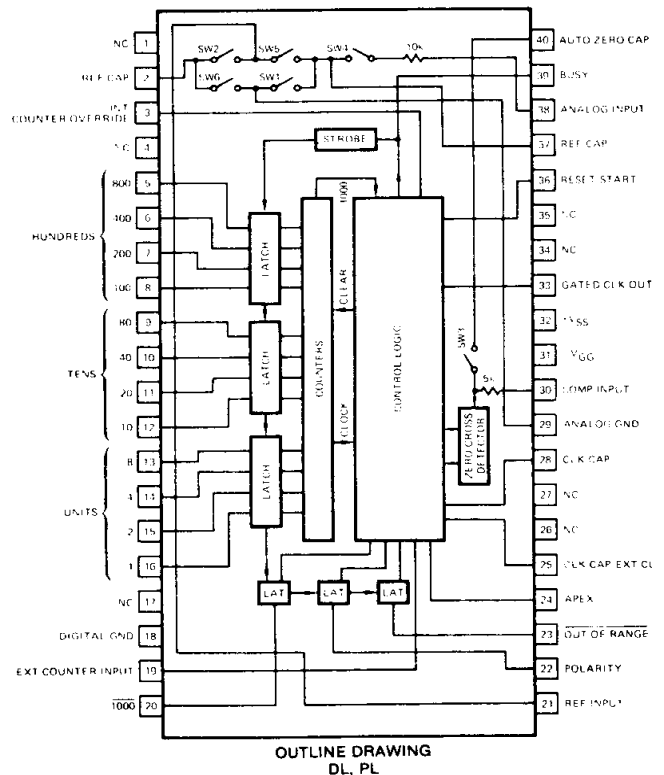
CONNECTION DIAGRAM

8052 Analog Signal Conditioner



CONNECTION DIAGRAM

7101 Digital Processor



ABSOLUTE MAXIMUM RATINGS

Power Dissipation (Note 1)	500mW	Operating Temperature	0°C to +70°C
Storage Temperature	-65°C to +150°C	Lead Temperature (Soldering, 60 Sec.)	300°C
	8052 ONLY		7101 ONLY
Supply Voltage	±18V	Source Current (I _S)	100mA
Differential Input Voltage	±6V	Drain Current (I _D)	100mA
Input Voltage (Note 2)	±15V	Digital Inputs	5mA
Output Short Circuit Duration, All Outputs (Note 3)	Indefinite	V ⁺ to V ⁻	25V
		Digital Input	V ⁻ to V ⁺

Note 1: Dissipation rating assumes device is mounted with all leads welded or soldered to printed circuit board in ambient temperature below +70°C. For higher temperatures, derate 10mW/°C.

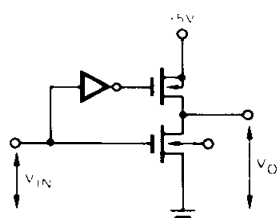
Note 2: For supply voltages less than ±15V, the absolute maximum input voltage is equal to the supply voltage.

Note 3: Short circuit may be to ground or either supply. Rating applies to +70°C ambient temperature.

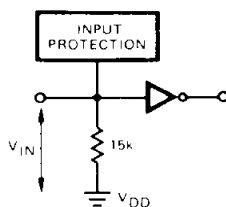
7101 ELECTRICAL CHARACTERISTICS (V⁺ = +5.0V, V⁻ = -15V, T_A = +25°C unless otherwise specified)

PARAMETER	SYMBOL	CONDITIONS	7101			UNITS
			MIN	TYP	MAX	
Clock Frequency	f _{IN}	C = 1500 pF		20		kHz
External Clock In	I _{INL}	V _{IN} = 0 V		0.35	1.0	mA
External Clock In	I _{INH}	V _{IN} = +5.0 V		0.35	1.0	mA
Reset/Start	I _{INL}	V _{IN} = 0 V		0.8	2.0	mA
Internal Counter Override	I _{INH}	V _{IN} = +5.0 V		0.35	1.0	mA
BCD	V _{OL}	I _{OL} = 1.6 mA		0.25	0.4	V
BCD	V _{OH}	I _{OH} = -200 μA	2.4	4.5		V
Out-of-Range	V _{OL}	I _{OL} = 3.2 mA		0.25	0.4	V
Out-of-Range	V _{OH}	I _{OH} = 400 μA	2.4	4.5		V
Polarity, Apex, Busy, $\overline{1000}$	V _{OL}	I _{OL} = 0.8 mA		0.25	0.4	V
Polarity, Apex, Busy, $\overline{1000}$	V _{OH}	I _{OH} = -200 μA	2.4	4.5		V
Gated Clockout	V _{OL}	I _{OL} = 0.3 mA		0.25	0.4	V
Gated Clockout	V _{OH}	I _{OH} = -200 μA	2.4	4.5		V
Switches 1, 3, 4, 5, 6	R _{DS(ON)}			400		Ω
Switch 2	R _{DS(ON)}			2500		Ω
+5.0 V Supply Current	I _{CC} ⁺			15	25	mA
-15 V Supply Current	I _{CC} ⁻			3.0	5.0	mA

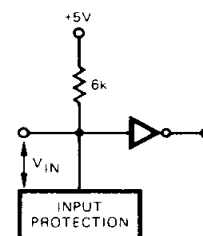
4



Output



External Counter Input
Internal Counter Override



Start/Reset

TYPICAL INPUT/OUTPUT SCHEMATICS

8052 ELECTRICAL CHARACTERISTICS ($V_s = \pm 15V$, $T_A = +25^\circ C$ unless otherwise specified)

CHARACTERISTICS	CONDITIONS	8052			UNITS
		MIN	TYP	MAX	
OPERATIONAL AMPLIFIER					
Input Offset Voltage	$V_{CM} = 0V$		20	50	mV
Input Current (either input)	$V_{CM} = 0V$		5	50	pA
Common-Mode Rejection Ratio	$V_{CM} = \pm 10V$	70	90		dB
Non-Linear Component of Common-Mode Rejection Ratio*	$V_{CM} = \pm 2V$		110		dB
Large Signal Voltage Gain	$R_L = 10k\Omega$ $V_{OUT} = \pm 10V$	20,000			V/V
Slew Rate			6		V/ μs
Unity Gain Bandwidth			1		MHz
Output Short-Circuit Current			20	50	mA
COMPARATOR AMPLIFIER					
Small-Signal Voltage Gain	$R_L = 30k\Omega$		4000		V/V
Positive Output Voltage Swing		+12	+13		V
Negative Output Voltage Swing		-2.0	-2.6		V
VOLTAGE REFERENCE					
Output Voltage		1.5	1.75	2.0	V
Output Resistance			5		ohms
Temperature Coefficient			50		ppm
Supply Current Total			6	12	mA

*This is the only component that causes error in dual slope converter.

SYSTEM ELECTRICAL CHARACTERISTICS

($V_{++} = +15V$, $V_+ = +5.0V$, $V_- = -15V$, $T_A = +25^\circ C$, Clock Frequency Set for 3 Reading/Sec)

CHARACTERISTICS	CONDITIONS	8052/7101 (1)			UNIT
		MIN	TYP	MAX	
Zero Input Reading	$V_{in} = 0.0V$	-0.000	± 0.000	+0.000	Digital Reading
Ratiometric Reading	$V_{in} \equiv V_{Ref.}$	+0.998	+1.000	+1.001	Digital Reading
Linearity over \pm Full Scale (error off reading from best straight line)	$-2V \leq V_{in} \leq +2V$		0.1	1	Digital Count Error
Rollover error (Difference in reading for equal positive & negative voltage near full scale)	$-V_{in} \equiv +V_{in} \approx 2V$		0.1	1	Digital Count Error
Noise (P-P value not exceeded 95% of time)	$V_{in} = 0V$ Full scale = 200.0mV Full scale = 2.000V		0.2 0.05		Digital Count
Leakage Current into Input	$V_{in} = 0V$		5	30	pA
Zero Reading Drift	$V_{in} = 0V$ $0^\circ \leq T_A \leq 70^\circ C$		1	5	$\mu V/^\circ$
Scale Factor Temperature Coefficient	$V_{in} = +2V$ $0^\circ \leq T_A \leq 70^\circ C$ (ext. ref. 0 ppm/ $^\circ C$)		3	15	ppm/ $^\circ$

(1) Tested in 3 1/2 digit (2,000 count) circuit shown in Fig. 1 clock frequency 20kHz.

ICL8052/7101

CIRCUIT DESCRIPTION

Figure 1 shows a typical circuit for a DVM. A minimum of external components is required since the chips have an on-board clock and a medium-quality (40ppm/°C) internal reference. The circuit also shows the switching required for two scale factors: 2.000V and 200.0mV full scale.

The system uses the time-proven dual-slope integration with all of its advantages; non-critical components, high rejection of noise and AC signals, non-critical clock frequency and true ratiometric readings. At the same time, it eliminates one of the basic disadvantages of dual-slope conversion: separate positive and negative reference sources. In this system, the negative reference is generated by charging the reference capacitor to the positive reference potential and then switching it into the circuit inverted when a negative reference is required. Due to the very low leakage and charge injection of the FET switches, the positive and negative references track each other to 10μV over a wide temperature range. This assures a very small error between positive and negative scale factor and, thus, excellent linearity from (+) full-scale to (-) full-scale (.002% typical).

4

The measurement cycle for the 8052/7101 has three phases. These are auto-zero, integrate input, and integrate reference. At the end of a measurement the system automatically reverts to the auto-zero mode until a new measurement is initiated. If an over-load has not occurred in the previous measurement, 10 milliseconds of auto-zero is sufficient to null any offsets to 10μV. At power on, or after an overload, 100 milliseconds is required to assure the auto-zero capacitor has charged to the correct value.

Start Conversion

Prior to conversion, the reset-start input must be held low to inhibit conversion (during auto-zero). Conversion is

initiated by a positive transition on the start-reset line. (It must therefore return to the low state prior to completion of conversion in order to allow proper auto-zero function.) The positive transition generates a clear pulse which resets all internal logic (counters, etc.) and sets the clock enable, thus initiating the conversion sequence.

Integrate Input

During the first period, switch #4 is closed, (all others open), applying the input potential to the buffer. Since the amplifier offsets are stored on the auto-zero capacitor, the integrator's slope is determined solely by the input voltage. The input voltage is integrated for exactly 1000 counts, thus reaching an integrator output proportional to the integral of the input for a fixed time.

Integrate Reference

At the end of 1000 counts, switch #4 is opened, the polarity flip-flop is set, and the integrate reference period begins. Depending on the polarity, switch #5 or #6 is closed, connecting the buffer input to ground or 2V_{ref}. This causes the integrator to ramp towards its quiescent (auto-zero) point with a slope proportional to +V_{ref} or -V_{ref}. When the integrator crosses its quiescent auto-zero point, the comparator changes state, causing the zero crossing detector to generate a conversion complete signal which inhibits the clock and loads the logic information into the output latches. Switch #5 (or #6) is opened, switches #1, #2, and #3 are closed, and the system returns to a quiescent auto-zero mode, awaiting the next initiate conversion signal. If 2000 counts are received prior to zero crossing, an out-of-range signal is generated which sets the "out-of-range" output and resets the system.

- Note 1: Internal reference out \approx 1.8V, reference input = 1,000 volts for 1.999 volt scale and 100mV for 199.9mV scale.
- Note 2: External components shown are suggested for 3 readings/sec.
- Note 3: Parallel BCD outputs and other latched outputs are strobed at end of conversion and retain data until completion of next conversion.
- Note 4: Start/Reset should remain Low during Auto-Zero. Conversion is initiated by a positive pulse on start pin. (minimum width 100nsec).
- Note 5: Component values \pm 20% typ.

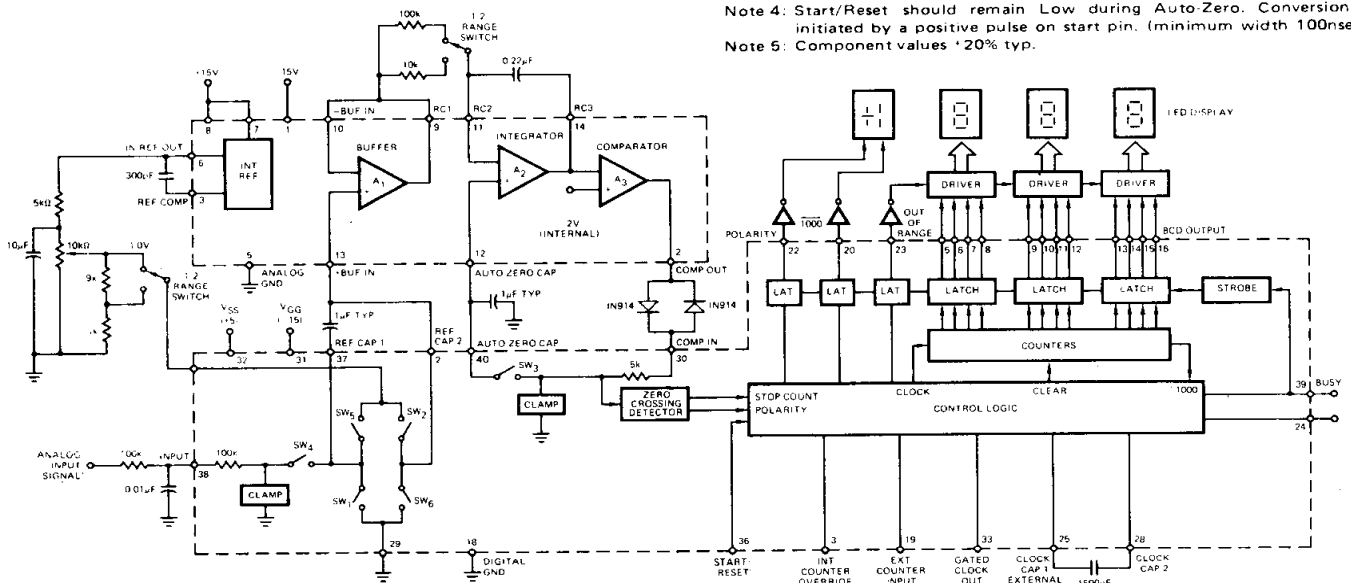


FIGURE 1. 3 1/2 DIGIT A/D CONVERTER FUNCTIONAL DIAGRAM

7101 Digital Processor Controls

Two pins are included on the 7101 that allow the user to externally control the gain of the converter. The first pin, "Internal Counter Override", if held high, will inhibit the carry pulse from the internal counter that switches the converter from signal integrate to reference integrate. As long as this input is high, the converter will remain in the signal integrate mode. At the same time, it enables the other pin, External Counter Input, to supply this transition pulse from external sources. One technique for changing the gain of the system would be to hold "Internal Counter Override" high through the first N carry pulses. This would increase the signal integrate time by a factor of N+1 and, thus, the sensitivity of the system by N+1. Since the number of suppressed pulses could be controlled digitally, the system could accommodate signals from $\pm 2.000V$ to $\pm 200.0mV$ (or lower, if time permits) without changing the external analog scale factor components. By using more complex external logic and both inputs, the user could digitally set offset (tare) and scale factor to convert voltages to physical units such as "degrees centigrade", "pounds", or "feet".

A "BUSY" pin is provided which permits interrogating the 8052/7101 to determine the status of the conversion. During the signal integrate and reference integrate periods, the "busy" line is high until the conversion is complete, at which time "busy" line goes low. This transition can be used to signal "new data available".

The "Apex" pin provides a digital signal which goes high during the reference integrate period.

"OUT-OF-RANGE" is indicated by a latched "low" on pin 23 for counts over 2000. The BCD digital values are "high" (true), except 1000 which is "low".

A positive polarity of the analog input signal is indicated by a "high" state at the output of the "polarity" latch on pin 22.

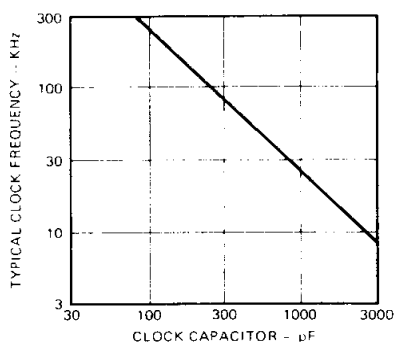


FIGURE 2.

The 7101 has an internal clock which requires a single capacitor between Pins 25 and 28 to operate. Figure 2 shows the typical capacitor value required to give the desired frequency.

During auto-zero, the clock is internally gated-off with Pin 28 high and Pin 25 low. When "start-reset" goes high, starting a measurement cycle, the clock starts counting with Pins 25 and 28 immediately changing phase. The counting continues until the end of the measurement cycle, at which time the clock is returned to its auto-zero condition.

In a typical application where visual readings are required three readings per second is near the optimum speed. Fast readings make it difficult to resolve individual readings while at slower rates the reader has to wait too long between measurements. In this application, 40% of the time (133mS) could be allocated to auto-zero and 60% (200mS) to signal and reference integrate. Since a measurement cycle consist of 3,000 clock pulses maximum, this dictates a clock frequency of 15kHz. Also, since the dual-slope technique of A/D conversion is not first-order dependent on clock frequency, the $\pm 20\%$ variation of clock frequency from unit-to-unit would result in no measurable error. However in some applications, a more precise clock frequency would be desired. For instance, if precise rejection of 60Hz is required, the signal integrate phase (1,000 counts) would have to contain an integral number of 60Hz periods. For these applications, an external clock can be used by deleting the capacitor and connecting the external clock to Pin 22. However, if the clock is run asynchronously with start/reset there will be one clock pulse of uncertainty in the integrate signal time, depending on where in the clock pulse period the start/reset went high. This will show up as one count of noise for signal near full-scale. This noise or jitter can be avoided by synchronizing the start/reset pulse to the negative-going edge of the external clock. Pin 33, Gate Clock Out, is a buffered output of the clock (internal or external) that is off (low) during auto-zero and in phase with Pin 25 during measurement.

Component Selection

Except for the reference voltage, none of the component values are first order important in determining the accuracy of the instrument. While this is undoubtedly an advantage of this approach, it does make the selection of nominal component values arbitrary at best. For instance, the reference capacitor and auto-zero capacitor are each shown as 1.0 μ fd. These relatively large values are selected to give greater immunity to PC board leakage since much smaller capacitors are adequate for charge injection errors or leakage errors from the 8052/7101.

The ratio of integrating resistor and capacitor is selected to give 9-volt swing for full-scale inputs. This is a compromise between possibly saturating the integrator (at $\pm 14V$) due to tolerance build-up between the resistor, capacitor, and clock and the errors a lower voltage swing could induce due to offsets referred to the output of the comparator. Again, the .22 μ fd value for the integrating capacitor is selected for PC board considerations alone since the very small leakage at the integrator input is nulled at auto-zero. A very important characteristic of the integrating capacitor is low dielectric absorption. A polypropylene capacitor gave excellent results. In fact, a good test for dielectric absorption is to use the capacitor in this circuit with the input tied to reference. This ratiometric condition should read 1.000 and any deviation is probably due to dielectric absorption. In this ratiometric condition, a polycarbonate capacitor contributed an error of approximately 0.8 digit, polystyrene about 0.3 digit, and polypropylene less than 0.05 digit. The increased T.C. of polypropylene is of no consequence in this circuit. The dielectric absorption of the reference capacitor and auto-zero capacitor are only important at power on or when the circuit is recovering from an overload. Thus, smaller or cheaper capacitors can be used here if accurate readings are not required for the first few seconds of recovery.

ICL8052/7101

8052/7101/6100/6101 Set

The circuit in Figure 4 interfaces the 8052/7101 A-to-D converter chip set to an IM6100* microprocessor, using the 6101* Parallel Interface Element. Hex Tri-state Buffers (e.g., MM80C95*) are used to control bus access from the 7101 during read operations.

Conversion is initiated by activating the WRITE 1 line (positive going). The converter pair will then convert the analog input to digital form, and latch the data in the 7101. The busy line will go low as the conversion ends, and this transition is sensed by the SENSE 1 line, triggering an interrupt. The interrupt routine should read the 12-line data word, and then the polarity, 1000 and out-of-range lines.

Sufficient time must be allowed for the auto-zero loop to settle before retriggering a conversion. Ten milliseconds of

auto-zero is sufficient to null any offsets to 10 microvolts. At power-on or after an overload, 100 milliseconds is required to assure the auto-zero capacitor has charged to the correct value. This time delay may be implemented conveniently using the IM6102 (Memory Extender/Time Delay Device).

Some skeletal service routines for this connection are given on page 7 and 8.

*References:

- Intersil IM6100 CMOS 12 bit Microprocessor
- Intersil IM6101 Parallel Interface Element
- National MM80C95 Hex CMOS Tri State Buffers

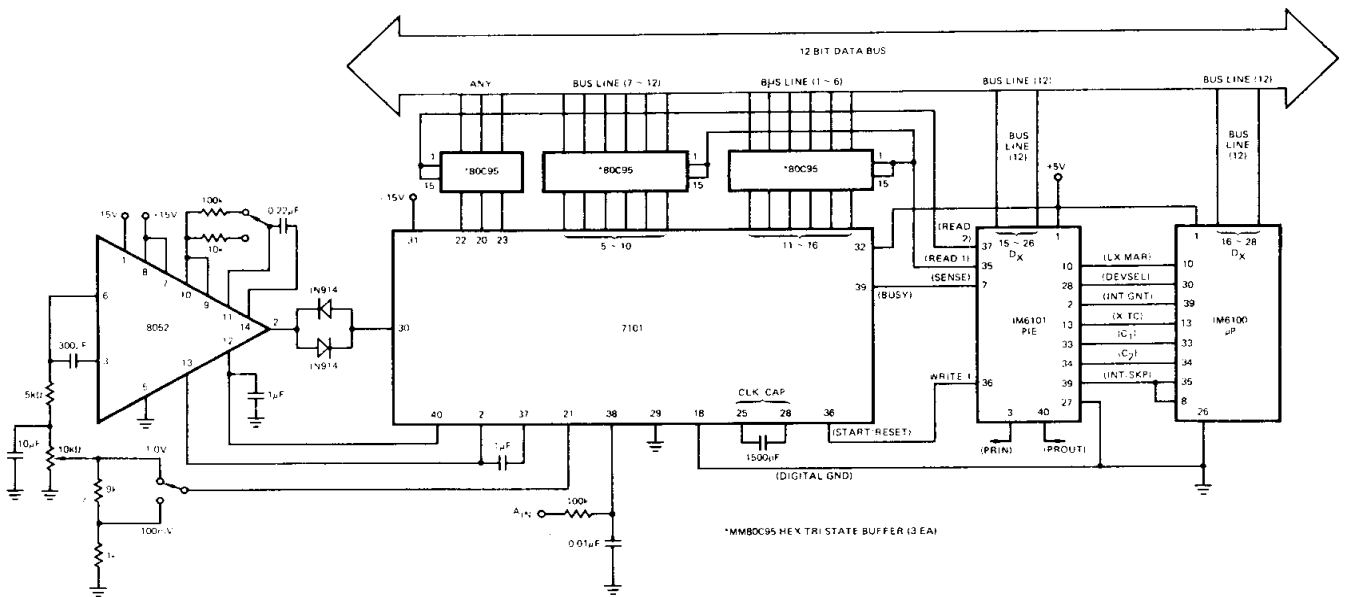


FIGURE 4. 3½ DIGIT PARALLEL BCD DATA ACQUISITION SYSTEM

8052/7101/6100/6101 APPLICATION PROGRAM

A possible set-up and service routine for the connection is given below.

/ASSUME PIE SELECT IS SET TO 54, INTERRUPT VECTOR TO 2000 (OCTAL)

/INITIALIZE ROUTINE: SET-UP FOR NO INTERRUPT

1200	7200	CLA	
1201	1240	TAD SSCRA	
1202	6545	WCRA 54	/SET-UP CONTROL REGISTER A
1203	7200	CLA	
1204	1241	TAD SSCRB	
1205	6555	WCRB 54	/SET-UP CONTROL REGISTER B
1206	7200	CLA	
1207	1242	TAD SSVV	
1210	6556	WVR 54	/SET-UP VECTOR REGISTER
1220	0000	CONVERT, 0	/INITIATE CONVERSION SUBROUTINE
1221	1243	TAD SSCRAI	

ICL8052/7101

8052/7101/6100/6101 APPLICATION PROGRAM (CON'T)

1222	6545		WCRA 54	/SET-UP CONTROL REGISTER A
1223	6541		WRITE1 54	/THE WRITE PULSE STARTS CONVERSION
1224	5620		JMP I CONVERT	/RETURN
1240	0040	SSCRA,	0040	/WP 1 SET HI, IE1 SET LO
1241	0000	SCRRB,	0000	/SL1, SP1 SET LP, NEGATIVE EDGE SENSE
1242	2000	SSVV,	2000	/VECTOR ADDRESS
1243	0041	SSCRAI,	0041	/WPI SET HI, IE1 SET HI
0000	0000	INTRPT,	Ø	/ENTRY POINT FOR INTERRUPT
0001	6002		IOF	/DISABLE INTERRUPT, JUMP TO VECTOR ADDRESS
0140	0000	AD1,	Ø	/FIRST WORD OF DATA
0141	0000	AD2,	Ø	/SECOND WORD OF DATA
0160	0000	TEMP1,	Ø	/TEMPORARY STORAGE
2000	5210	VV,	JMP ATOD	/JUMP TO SERVICE POINT
2010	3160	ATOD,	DCA TEMP1	/SAVE AC
2011	6540		READ1 54	/READ BCD LINES
2012	3140		DCA AD1	/AND STORE
2013	6550		READ2 54	/READ POLARITY, 1000, AND OVERRANGE
2014	7040		CMA	/COMPLEMENT TO THE TRUE
2015	3141		DCA AD2	/AND STORE
/	--	---	----	/ANY OTHER WORK
2020	1160		TAD TEMP1	/RESTORE AC
2021	6001		ION	/RESTORE INTERRUPT
2022	5400		JMP I INTRPT	/RETURN

4