

• Plugs



- Unshielded
- 6 Positions

Type
AJP21A 



- Shielded
- 8 Positions

Type
AJP23B 

Technical Data

Electrical:

UL Applications: 250 volts AC max at 2 amps
 Dielectric Withstanding Voltage: 500 volts AC
 Insulation Resistance: 500 megohms
 Termination: resistance 35 milliohms max after environmental testing

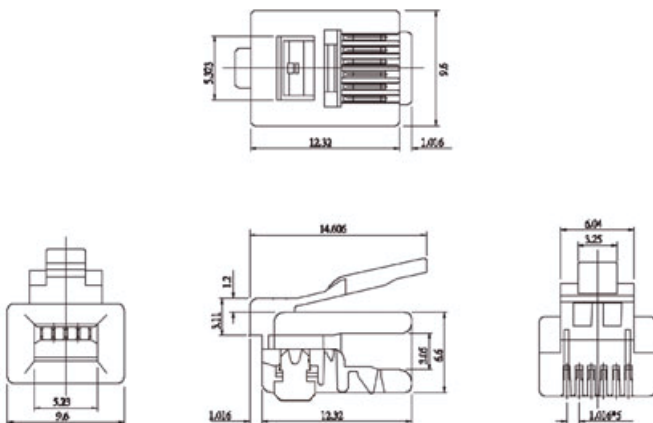
Mechanical:

Cable-to-Plug Tensile Strength: 20 lbs min
 Durability: 2000 mating cycles

Material & Finish:

Housing: polycarbonate, UL94V-2
 Color: clear
 Contact Blade: phosphor bronze
 Conductor: stranded & solid wire, 24, 26 AWG

Dimensions (mm)



Ordering Information

AJP21A	6	X	1	3	-	1	2	0
Type	Positions	Contacts	Wire Type	Plating		Wire Type	Plating	
	2, 4, 6		1=Flat	3=30u"		1=Stranded Wire	2=94V2 Plastic Type	0=No Options

www.DataSheet4U.com

Standard configurations are in red.

1=Stranded Wire
 2=94V2 Plastic Type
 0=No Options

Technical Data

Electrical:

UL Applications: 250 volts AC max at 2 amps
 Dielectric Withstanding Voltage: 500 volts AC
 Insulation Resistance: 500 megohms
 Termination: resistance 35 milliohms max after environmental testing

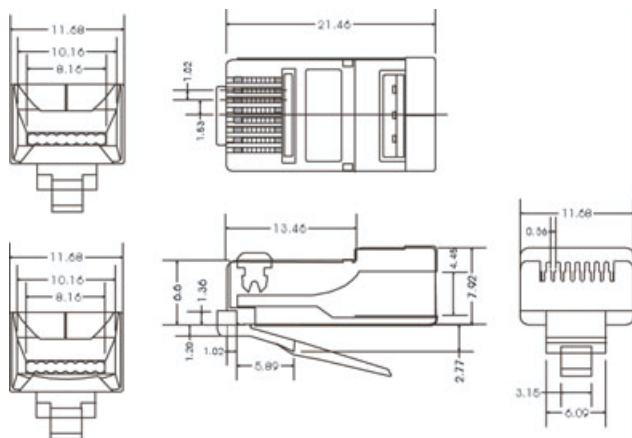
Mechanical:

Cable-to-Plug Tensile Strength: 20 lbs min
 Durability: 2000 mating cycles

Material & Finish:

Housing: polycarbonate, UL94V-2
 Color: clear
 Contact Blade: phosphor bronze
 Conductor: stranded, 24, 26 AWG

Dimensions (mm)



Ordering Information

AJP23B	8	8	X	3	-	1	2	9
Type	Positions	Contacts	Wire Type	Plating		Wire Type	Plating	
	2, 4, 6		1=Flat 2=Round	3=30u"		1=Stranded Wire	2=94V2 Plastic Type	9=Shielded

Standard configurations are in red.

1=Stranded Wire
 2=94V2 Plastic Type
 9=Shielded