

| LOC | DIST | REVISIONS |     |               |         |     |      |
|-----|------|-----------|-----|---------------|---------|-----|------|
|     |      | P         | LTR | DESCRIPTION   | DATE    | DWN | APVD |
| H   | -    | A         |     | EH10-0296-04  | 27OCT04 | -   | JB   |
|     |      | AI        |     | ECR-09-005303 | 06MAR09 | PS  | JB   |
|     |      | -         |     | -             | -       | -   | -    |
|     |      | -         |     | -             | -       | -   | -    |

NOTES/SPECIFICATION:

- HEADER ACCEPTS TYPES 1, 11, & 111 OF PCMCIA STANDARD MEMORY CARD
- MECHANICAL SPECIFICATION:
  - DURABILITY
    - OFFICE ENVIRONMENT: 10000 CYCLES MINIMUM
    - HARSH ENVIRONMENT: 5000 CYCLES
  - CONTACT RETENTION FORCE: 1kg MINIMUM
- ELECTRICAL SPECIFICATION:
  - CONTACT RESISTANCE: 40 MILLI OHMS MAX.
  - DIELECTRIC WITHSTANDING VOLTAGE: 500 Vrms FOR 1min.
  - INSULATION RESISTANCE: 1000 MEGA OHMS MIN.
  - CURRENT CAPACITY: 0.5 AMPS PER PIN.
- ENVIRONMENTAL SPECIFICATIONS:
  - STORAGE ENVIRONMENT: -40°C TO +70°C, 95% MAX. RELATIVE HUMIDITY (NON CONDENSING)
  - OPERATION TEMPERATURE: -20°C TO +60°C, 95% MAX. RELATIVE HUMIDITY (NON CONDENSING)
  - THERMAL SHOCK: 6 CYCLES (1 CYCLE PER HOUR) WITH CONNECTOR ENGAGED WITH EXTREMES OF -55°C TO +70°C.

| DIM "A" | POSITION No.          |
|---------|-----------------------|
| 5       | 1, 17, 34, 35, 51, 68 |
| 3, 5    | 36, 67                |
| 4, 25   | THE OTHERS            |

- △ PLATING OF CONTACTS: Ni : 1,5µm MIN. (OVERALL)  
 Au : 0,2µm MIN. (CARD SIDE)  
 TIN: 2µm MIN. (PCB SIDE)
- 7 ALL PARTS PACKAGED IN TRAYS UNLESS REQUESTED:
- 8 PRESS PART OF BUTTON TO BE SNAPPED ONTO SLIDING PART OF BUTTON BY CUSTOMER  
 BUTTON TRAVEL LENGTH IS 5mm
- △ PUSH BUTTON WILL BE MOUNTED BY CUSTOMER
- △ DIFFERENT TYPES OF PUSH BUTTON POSSIBLE
- 

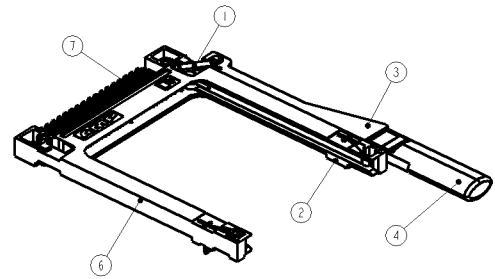
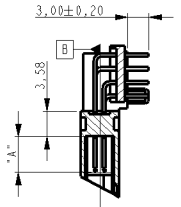
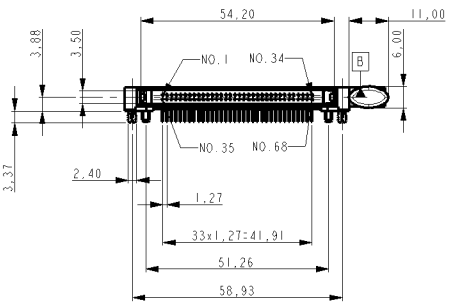
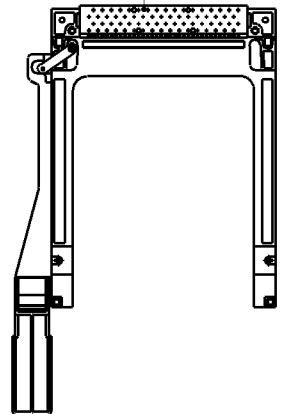
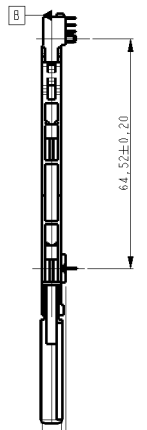
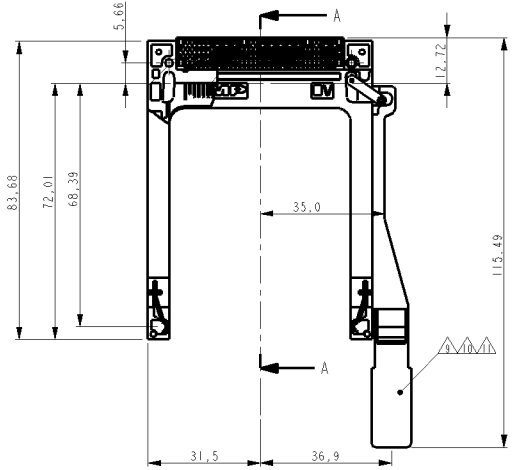
CONNECTOR TO PRINTED CIRCUIT BOARD ASSEMBLY:

- PLACE THE CONNECTOR ON THE PRINTED CIRCUIT BOARD.  
 THE SOLDER TAILS, RETENT CLIPS & PLASTIC LEGS SHOULD BE SEATED IN THE RESPECTIVE HOLES
- PUSH FIRMLY DOWN ON CENTER OF PLASTIC LEGS THEN SOLDER RETENTS  
 A SLIGHT SNAP IS FELT WHEN THE CONTACT IS FULLY SEATED.
- SOLDER PROCESS ENTIRE PRINTED CIRCUIT BOARD ASSEMBLY

|                        |            |
|------------------------|------------|
| 3.3 V                  | 5338934-2  |
| 5 V                    | 5338934-1  |
| VOLTAGE IDENTIFICATION | PARTNUMBER |

| Item no. | Qty. | Description    | Material        | Finish       |
|----------|------|----------------|-----------------|--------------|
| 7        | 68   | CONTACT        | COPPER ALLOY    | △ 6          |
| 6        | 1    | HOUSING        | PA 4, 6         | COLOR: BLACK |
| 5        | 1    | ORGANISER      | PA 4, 6         | COLOR: BLACK |
| 4        | 1    | PUSH BUTTON    | PBT             | COLOR: GREY  |
| 3        | 1    | ARM BAR        | PA 4, 6         | COLOR: BLACK |
| 2        | 2    | GROUND CONTACT | PHOSPHOR BRONZE | TIN: 2µm MIN |
| 1        | 1    | CAM            | PA 4, 6         | COLOR: BLACK |

|                    |  |   |  |   |   |
|--------------------|--|---|--|---|---|
| DIMENSIONS: mm<br> |  | TOLERANCES UNLESS OTHERWISE SPECIFIED:<br>0 PLC ±0.2<br>1 PLC ±0.1<br>2 PLC ±0.05<br>3 PLC ±<br>4 PLC ±<br>ANGLES ±<br>FINISH |  | DWN: P. Willems<br>CHK: P. Willems<br>APVD: I. Braaksma<br>PRODUCT SPEC: 108-19201<br>APPLICATION SPEC: | DWG NO: 27OCT04<br>NAME: PC CARD HEADER (FLUSH VERSION) WITH RIGHT EJECTOR<br>SIZE: A2<br>CASE CODE: 00779<br>DRAWING NO: C-5338934<br>RESTRICTED TO: |
| MATERIAL: -        |  | WEIGHT: -   |  | CUSTOMER DRAWING<br>SCALE:          <br>SHEET:           OF          <br>REV:                           |   |



RECOMMENDED PCB LAYOUT (THICKNESS: 1,60mm ±0,1mm)

