

Circular Plastic Connector Sealing Accessories (Continued)

Jacketed Cable Seals (for Shell Size 23)

A jacketed cable seal kit provides an environmentally sealed connection for jacketed cable.

Material:

Peripheral Seal—Grey elastomer

Collar—Aluminum

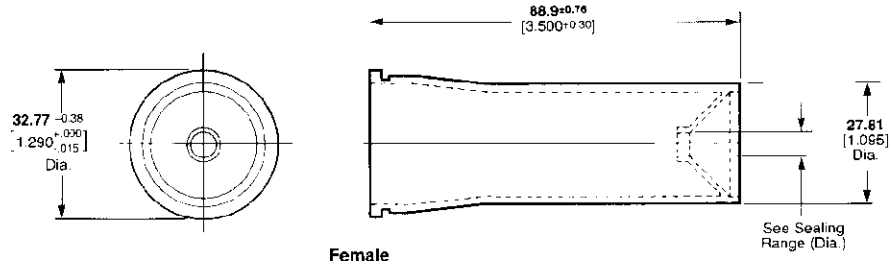
Jacketed Cable Seal—Black rubber

Back-Shell Extender—Black glass-filled thermoplastic

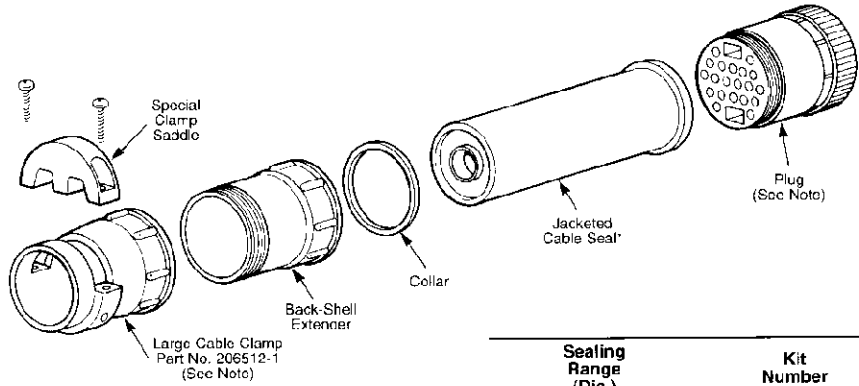
Special Clamp Saddle—Black thermoplastic

Note: Jacketed cable seals must be used with large cable clamps and can be used on plugs or receptacles. Large cable clamps are to be ordered separately (see page 46). Each jacketed cable seal kit includes:

- Peripheral Seal—to be discarded if kit is used on plug. Additional seals may be purchased
- Collar—provides bearing surface for back-shell extender
- Jacketed Cable Seal
- Back-Shell Extender
- Special Clamp Saddle—to be used in lieu of clamping insert supplied with large cable clamp



Female



*Jacketed cable seal is pressed flush against rear connector face when back-shell extender is threaded onto rear of connector.

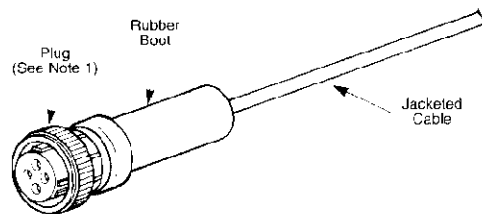
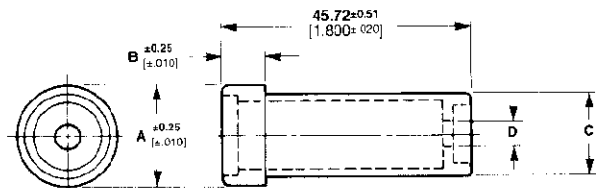
| Sealing Range (Dia.) | Kit Number |
|------------------------|------------|
| 7.62-11.43 300-450 | 207052-1 |
| 11.43-15.24 450-600 | 207052-2 |
| 15.24-22.22 600-875 | 207052-3 |

Rubber Boots

Rubber boots are used with jacketed cable to provide splash-proof connections for Series 1 and Series 3 connectors.

Material:

Black neoprene



| Shell Size | Cable Dia. Sealing Range | Dimensions | | | | Part No. |
|------------|--------------------------|---------------|--------------|--------------|--------------|----------|
| | | A | B | C | D | |
| 11 | 5.56-11.13 .219-.438 | 19.05 .750 | 7.62 .300 | 15.24 600 | 4.32 .170 | 208304-1 |

- Notes:**
1. Rubber boots are recommended for use with jacketed cable and can be used on plugs or receptacles, except Series 2 connectors.
 2. For detailed performance data on rubber boots, refer to AMP Product Specification No. 108-10024.