

PLEASE CHECK WWW.MOLEX.COM FOR LATEST PART INFORMATION

Part Number: [0436450408](#)
Status: **Active**
Overview: [microfit_30](#)
Description: 3.00mm (.118") Pitch Micro-Fit 3.0™ Receptacle Housing, Halogen Free, Single Row, 4 Circuits, Glow Wire Compatible

Documents:

[3D Model](#) [Product Specification PS-43650 \(PDF\)](#)
[Drawing \(PDF\)](#) [RoHS Certificate of Compliance \(PDF\)](#)

Agency Certification

CSA	LR19980
TUV	R72081037
UL	E29179

General

Product Family	Crimp Housings
Series	43645
Overview	microfit_30
Product Name	Micro-Fit 3.0™

Physical

Circuits (maximum)	4
Color - Resin	Black
Flammability	94V-0
Gender	Female
Glow-Wire Compliant	Yes
Keying to Mating Part	None
Lock to Mating Part	Yes
Material - Resin	Polyester
Number of Rows	1
Packaging Type	Bag
Panel Mount	No
Pitch - Mating Interface (in)	0.118 In
Pitch - Mating Interface (mm)	3.00 mm
Stackable	No
Temperature Range - Operating	-40°C to +105°C

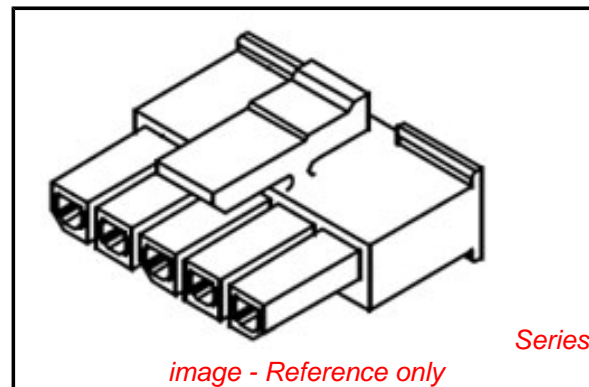
Electrical

Current - Maximum per Contact	5A
-------------------------------	----

Material Info

Reference - Drawing Numbers

Product Specification	PS-43650
Sales Drawing	SD-43645-001



EU RoHS

ELV and RoHS Compliant
REACH SVHC
Contains SVHC: No
Halogen-Free Status

China RoHS



Need more information on product environmental compliance?

Email productcompliance@molex.com
 For a multiple part number RoHS Certificate of Compliance, [click here](#)

Please visit the [Contact Us](#) section for any non-product compliance questions.

Search Parts in this Series

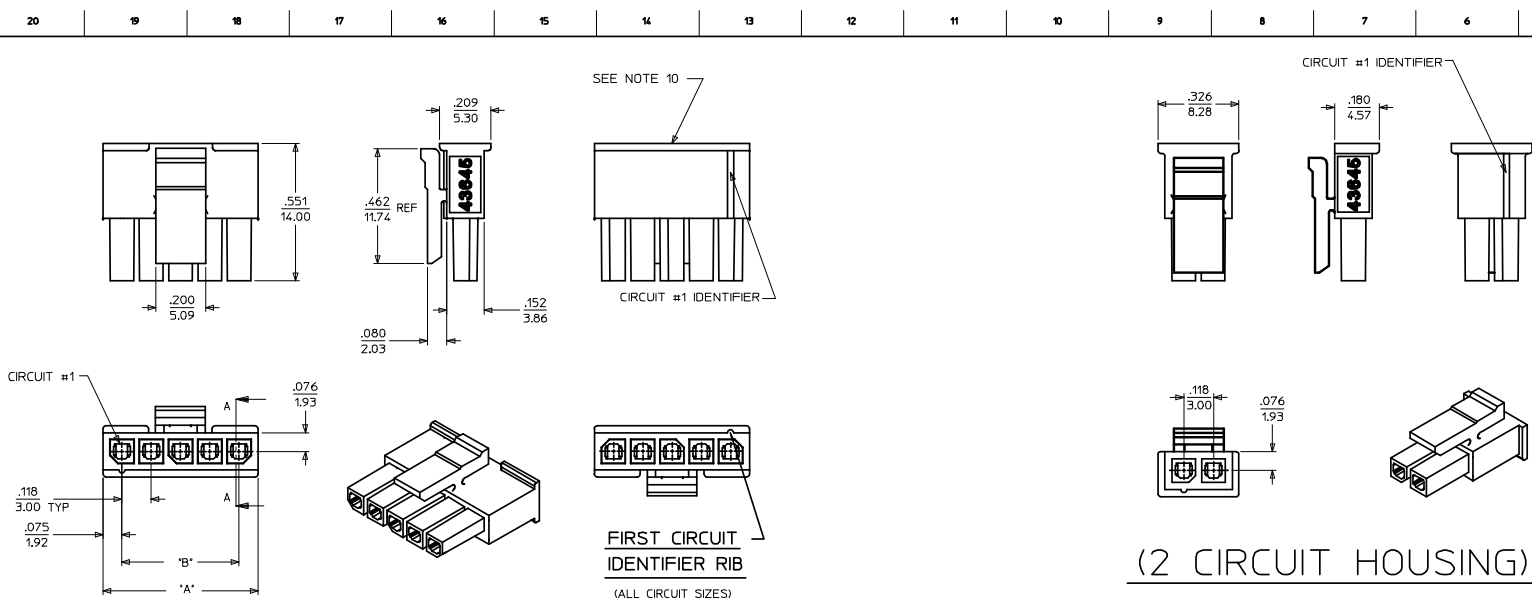
[43645Series](#)

Mates With

[43640](#) Micro-Fit 3.0™ Plug Housing, [43650](#) Micro-Fit 3.0™ Header

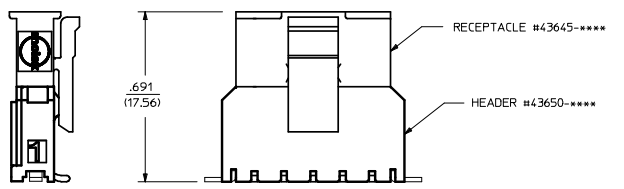
Use With

[43030](#) Micro-Fit 3.0™ Crimp Terminal

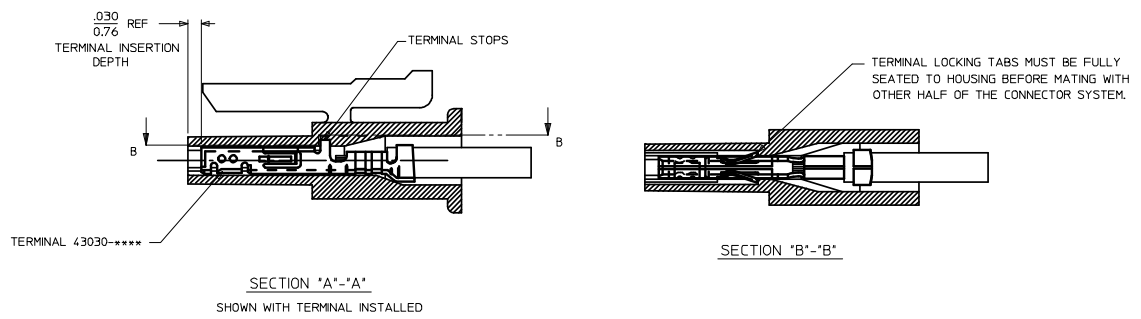


(3-12 CIRCUIT HOUSING)

(2 CIRCUIT HOUSING)

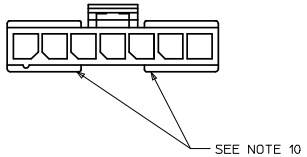


MATED MICRO-FIT CONNECTOR



NOTES:

1. MATERIAL : UNFILLED NYLON 6, UL94V-0, IEC 60335-1, 4TH EDITION GLOW WIRE CAPABLE, COLOR - BLACK
2. FINISH : N/A
3. PRODUCT SPECIFICATION : PS-43650
4. THIS RECEPTACLE ACCEPTS MOLEX MICRO FIT FEMALE CRIMP TERMINALS ONLY. SEE MOLEX DRAWING SD-43030-**** FOR SPECIFICATIONS.
5. SEE SECTION 'A'-'A' FOR TERMINAL ORIENTATION IN HOUSING.
6. FOR OVERMOLDING PARAMETERS SEE ENGINEERING SPECIFICATION #SDS-43025-1000.
7. THIS RECEPTACLE MATES WITH MOLEX PCB HEADER 43650 SERIES AND MOLEX PLUG 43640 SERIES (WIRE TO WIRE APPLICATIONS).
8. SOME HOUSINGS MAY HAVE A SMALL GATE BLEMISH NEAR THE GATE LOCATION THAT DOES NOT AFFECT FUNCTIONALITY.
9. MOLEX RECOMMENDS THE USE OF MICRO-FIT TEST PLUG, SERIES 44242-**** WHENEVER CONTINUITY TESTING IS PERFORMED. TEST PLUGS MUST NOT BE USED TO MAKE OR BREAK UNDER LOAD. MOLEX DOES NOT RECOMMEND USING STANDARD MATING COMPONENTS FOR HARNESS TESTING PURPOSES.
10. THIS RIB IS DISCONTINUOUS ON CIRCUIT SIZES 7 THROUGH 12
11. THIS PART CONFORMS TO CLASS 'B' REQUIREMENTS OF COSMETIC SPECIFICATION PS-45499-002.



ADD 5 CKT IEC NO: UCP2009-0016 DRWGNGAVRILL 2008/08/26 CHIKDSOUSEK 2008/08/26 APPROFSMITH 2008/08/27 A1	QUALITY SYMBOLS ▽=0 ▽=0	GENERAL TOLERANCES (UNLESS SPECIFIED) mm INCH		DIMENSION STYLE IN/MM		SCALE ---		DESIGN UNITS METRIC		THIRD ANGLE PROJECTION		
		4 PLACES ± --- ± ---	3 PLACES ± --- ± .010	2 PLACES ± 0.25 ± .014	1 PLACE ± 0.35 ± ---	ANGULAR ± 1/2°	DRAWN BY MKIPPER	DATE 2008/01/24	TITLE MICRO-FIT (3.0) 2 THRU 12 SINGLE ROW RECEPTACLE, HALOGEN-FREE			
		DRAFT WHERE APPLICABLE MUST REMAIN WITHIN DIMENSIONS					APPROVED BY FSMITH	DATE 2008/02/02	MOLEX INCORPORATED		SHEET NO. 1 OF 1	
		MATERIAL NO. SEE CHART					DOCUMENT NO. SD-43645-001		THIS DRAWING CONTAINS INFORMATION THAT IS PROPRIETARY TO MOLEX INCORPORATED AND SHOULD NOT BE USED WITHOUT WRITTEN PERMISSION			

NOT RELEASED	ITEM NUMBER	NUMBER OF CIRCUIT	DIM. 'A'	DIM. 'B'
	43645-0208	02	SEE DETAIL	.118/(13.00)
	43645-0308	03	.388/(9.85)	.236/(6.00)
	43645-0408	04	.506/(12.85)	.354/(9.00)
	43645-0508	05	.624/(15.85)	.472/(12.00)
	43645-0608	06	.742/(18.85)	.591/(15.00)
	43645-0708	07	.860/(21.85)	.709/(18.00)
X		08	.978/(24.85)	.827/(21.00)
X		09	1.096/(27.85)	.945/(24.00)
X		10	1.215/(30.85)	1.063/(27.00)
X		11	1.333/(33.85)	1.181/(30.00)
X		12	1.451/(36.85)	1.299/(33.00)