

DATA SHEET

Part No.	AN80T53
Package Code No.	HZIP007-P-0750A

Contents

■ Features	3
■ Applications	3
■ Package	3
■ Type	3
■ Block Diagram	4
■ Application Circuit Example	4
■ Pin Descriptions	5
■ Absolute Maximum Ratings	5
■ Operating Supply Voltage Range	5

AN80T53

Multi voltage regulator IC

■ Features

- 4 outputs voltage regulator
- Peak current protection circuit
- Thermal protection circuit
- Load short protection circuit

■ Applications

- For power supply

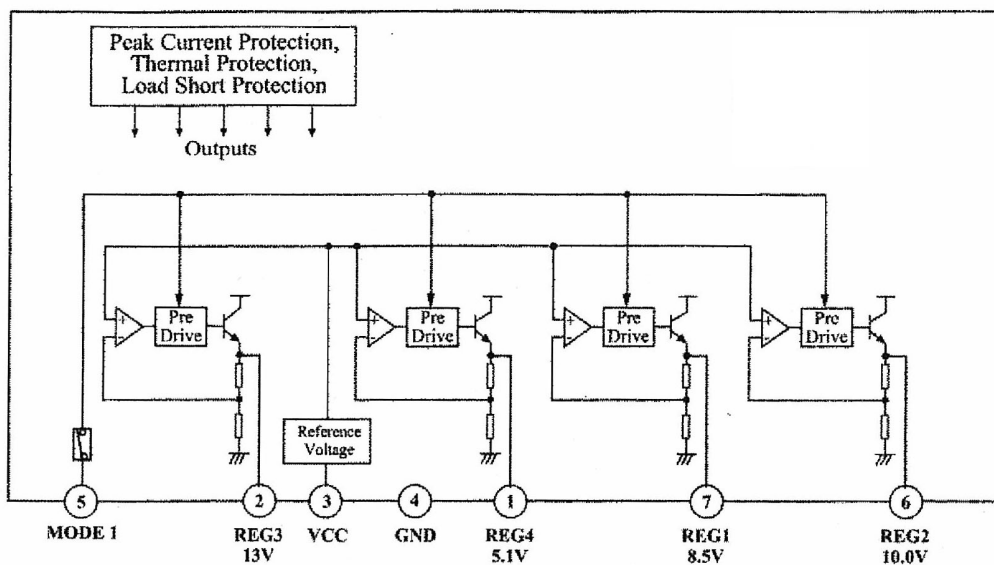
■ Package

- TO-2207 pins plastic package (power type with fin)

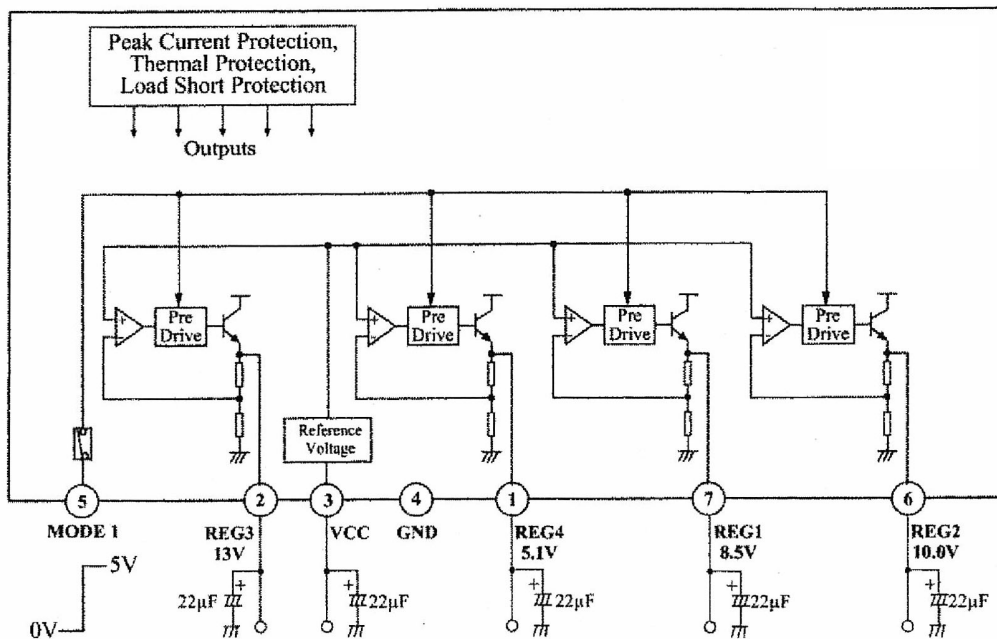
■ Type

- Silicon monolithic bipolar IC

■ Block Diagram



■ Application Circuit Example



MODE 1 = 0V	REG1, REG2, REG3 & REG4 OFF
MODE 1 = 5V	REG1, REG2, REG3 & REG4 ON

- Note)
1. To prevent oscillation at each output, make sure to connect a capacitor having a capacitance of 22 µF or greater between GND and each of the REG1 (pin 5), REG2 (pin 7), REG3 (pin 3) and V_{CC} (pin 6) pins. We recommend using a tantalum electrolytic capacitor whose capacitance is unsusceptible to temperature.
 2. When supplied a V_{CC} of 21 V or greater, IC may be damaged if REG2 or REG3 outputs are shorted to GND.
 3. When supplied a V_{CC} of 21 V or greater, IC may be damaged if REG2 or REG3 outputs are load short.

■ Pin Descriptions

Pin No.	Pin name	Description
1	REG4 Output	5.1 V power supply with a minimum peak output current of 1 200 mA
2	REG3 Output	13 V power supply with a minimum peak output current of 1 350 mA
3	VCC	Connected to power supply.
4	GND	Connected to the IC substrate.
5	MODE1	REG1, REG2, REG3 and REG4 outputs are turned ON when this pin is 5 V.
6	REG2 Output	10 V power supply with a minimum peak output current of 800 mA
7	REG1 Output	8.5 V power supply with a minimum peak output current of 700 mA

■ Absolute Maximum Ratings

A No.	Parameter	Symbol	Rating	Unit	Note
1	Storage temperature	T_{stg}	-55 to +150	°C	*1
2	Operating ambient temperature	T_{opr}	-30 to +85	°C	*1
3	Operating ambient pressure	P_{opr}	$1.013 \times 10^5 \pm 0.61 \times 10^5$	Pa	
4	Operating constant acceleration	G_{opr}	9 810	m/S ²	
5	Operating shock	S_{opr}	4 900	m/S ²	
6	Power supply voltage	V_{CC}	30.0	V	
7	Power supply current	I_{CC}	3.0	A	*2
8	Power dissipation	P_D	13	W	*3

Note) *1: Except these items, all other measurements are taken at $T_a = 25^\circ\text{C}$.

*2: Over current limiting circuit built-in.

*3: $T_a = 85^\circ\text{C}$ infinite heat sink.

■ Operating Supply Voltage Range

Parameter	Symbol	Range	Unit	Note
Operating supply voltage range	V_{CC}	15.0 to 30.0	V	*

Note) *: Minimum peak output current is not guaranteed at $V_{CC} = 24\text{ V}$ to 30 V

Request for your special attention and precautions in using the technical information and semiconductors described in this book

- (1) If any of the products or technical information described in this book is to be exported or provided to non-residents, the laws and regulations of the exporting country, especially, those with regard to security export control, must be observed.
- (2) The technical information described in this book is intended only to show the main characteristics and application circuit examples of the products, and no license is granted under any intellectual property right or other right owned by our company or any other company. Therefore, no responsibility is assumed by our company as to the infringement upon any such right owned by any other company which may arise as a result of the use of technical information described in this book.
- (3) The products described in this book are intended to be used for standard applications or general electronic equipment (such as office equipment, communications equipment, measuring instruments and household appliances).
Consult our sales staff in advance for information on the following applications:
 - Special applications (such as for airplanes, aerospace, automobiles, traffic control equipment, combustion equipment, life support systems and safety devices) in which exceptional quality and reliability are required, or if the failure or malfunction of the products may directly jeopardize life or harm the human body.
 - Any applications other than the standard applications intended.
- (4) The products and product specifications described in this book are subject to change without notice for modification and/or improvement. At the final stage of your design, purchasing, or use of the products, therefore, ask for the most up-to-date Product Standards in advance to make sure that the latest specifications satisfy your requirements.
- (5) When designing your equipment, comply with the range of absolute maximum rating and the guaranteed operating conditions (operating power supply voltage and operating environment etc.). Especially, please be careful not to exceed the range of absolute maximum rating on the transient state, such as power-on, power-off and mode-switching. Otherwise, we will not be liable for any defect which may arise later in your equipment.
 - Even when the products are used within the guaranteed values, take into the consideration of incidence of break down and failure mode, possible to occur to semiconductor products. Measures on the systems such as redundant design, arresting the spread of fire or preventing glitch are recommended in order to prevent physical injury, fire, social damages, for example, by using the products.
- (6) Comply with the instructions for use in order to prevent breakdown and characteristics change due to external factors (ESD, EOS, thermal stress and mechanical stress) at the time of handling, mounting or at customer's process. When using products for which damp-proof packing is required, satisfy the conditions, such as shelf life and the elapsed time since first opening the packages.
- (7) This book may be not reprinted or reproduced whether wholly or partially, without the prior written permission of Matsushita Electric Industrial Co., Ltd.