

**PLEASE CHECK WWW.MOLEX.COM FOR LATEST PART INFORMATION**

**Part Number:** [0758612204](#)  
**Status:** **Active**  
**Overview:** [gbx\\_backplane\\_connector\\_system](#)  
**Description:** 1.85mm by 1.85mm (.073" by .073") Pitch 2-Pair GbX® Backplane L-Series Connector System, Left Guide Header, 125 Circuits, Gold (Au) 0.76µm (30µ"), Pin Length 4.55mm (.179")

**Documents:**

[Drawing \(PDF\)](#) [RoHS Certificate of Compliance \(PDF\)](#)  
[Product Specification PS-75221-999 \(PDF\)](#)

**General**

Product Family	Backplane Connectors
Series	<a href="#">75861</a>
Application	Backplane
Application Tooling Documents	<a href="http://www.molex.com/pdm_docs/ats/TM-622022099.pdf">Tooling Manual</a>
Comments	Left Guide Header, No Keying Postion
Component Type	PCB Header
Overview	<a href="#">gbx_backplane_connector_system</a>
Product Name	GbX®
Style	N/A

**Physical**

Circuits (Loaded)	125
Circuits (maximum)	125
Color - Resin	Gray (Dark)
Durability (mating cycles max)	200
First Mate / Last Break	No
Guide to Mating Part	Yes
Keying to Mating Part	None
Material - Metal	High Performance Alloy (HPA), Stainless Steel
Material - Plating Mating	Gold
Material - Plating Termination	Tin-Lead
Material - Resin	High Temperature Thermoplastic
Number of Columns	25
Number of Pairs	2
Number of Rows	5
Orientation	Vertical
PC Tail Length (in)	0.087 In
PC Tail Length (mm)	2.20 mm
PCB Locator	No
PCB Retention	Yes
PCB Thickness Recommended (in)	0.063 In
PCB Thickness Recommended (mm)	1.60 mm
Packaging Type	Tube
Pitch - Mating Interface (in)	0.073 In
Pitch - Mating Interface (mm)	1.85 mm
Pitch - Term. Interface (in)	0.073 In
Pitch - Term. Interface (mm)	1.85 mm
Plating min: Mating (µin)	30
Plating min: Mating (µm)	0.76
Plating min: Termination (µin)	30
Plating min: Termination (µm)	0.76
Polarized to PCB	No
Stackable	No

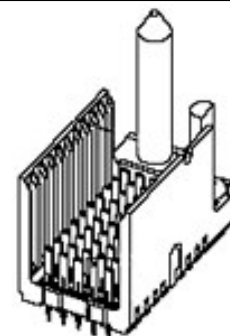


image - Reference only

Series

**EU RoHS**

**RoHS Compliant by Exemption**

**REACH SVHC**

Not Reviewed

**Halogen-Free**

Status

**Not Reviewed**

**Need more information on product environmental compliance?**

Email [productcompliance@molex.com](mailto:productcompliance@molex.com)  
 For a multiple part number RoHS Certificate of Compliance, [click here](#)

Please visit the [Contact Us](#) section for any non-product compliance questions.

**China RoHS**



Pb

**Search Parts in this Series**

[75861Series](#)

**Mates With**

[75676 Gbx Hybrid Daughtercard](#). [75671 GbX® L-Series Daughtercard](#)

**Application Tooling | FAQ**

*Tooling specifications and manuals are found by selecting the products below. Crimp Height Specifications are then contained in the Application Tooling Specification document.*

**Global**

Description	Product #
GbX® 2 Pair by 25 Wide L Series Insertion Module	<a href="#">0622022470</a>

Surface Mount Compatible (SMC)	Yes
Temperature Range - Operating	105°C
Termination Interface: Style	Through Hole - Compliant Pin

### **Electrical**

Current - Maximum per Contact	1A
Data Rate	8.0 Gbps
Real Signals (per 25mm)	67
Shielded	No
Voltage - Maximum	120V AC (RMS)/DC

### **Material Info**

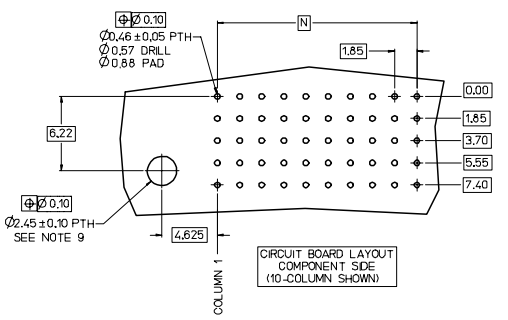
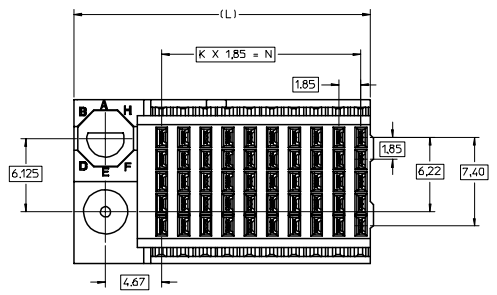
#### **Reference - Drawing Numbers**

Packaging Specification	PK-70873-5058
Product Specification	PS-75221-999
Sales Drawing	SD-75861-210

GbX is a registered trademark of Amphenol Corporation.

This document was generated on 05/14/2010

**PLEASE CHECK [WWW.MOLEX.COM](http://WWW.MOLEX.COM) FOR LATEST PART INFORMATION**

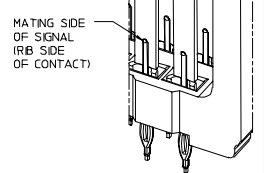
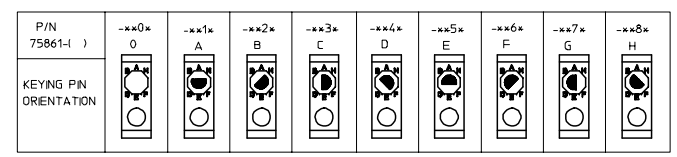
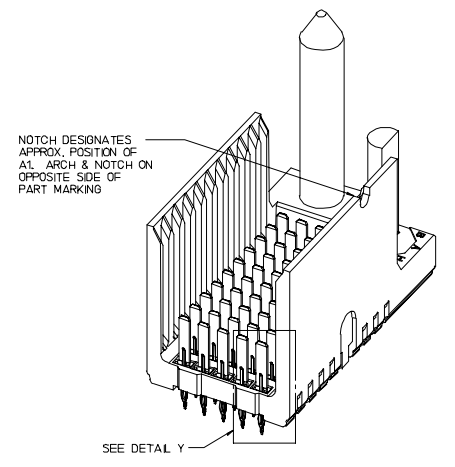
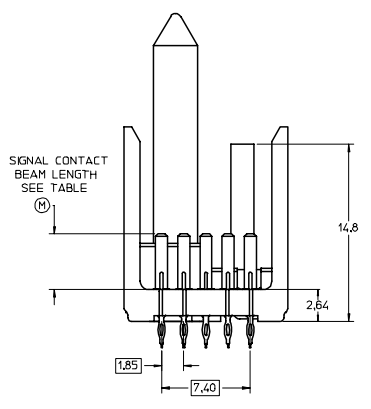
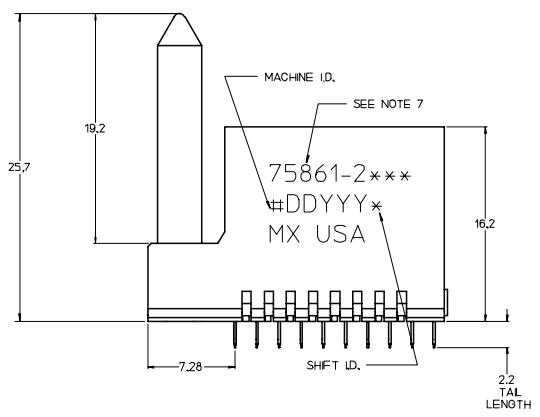


**75861-2\*\*\***

**SIGNAL LENGTH**  
 21 = 10 DIMENSION "M"  
 22 = 25  
 25 = 5

**KEYING**  
 POSITION  
 0 = NONE  
 1 = A  
 2 = B  
 ETC.

CONFIGURATION			
ASSEMBLY NO.	K	N	(L)
75861-25**	4	7.40	15.53
75861-21**	9	16.85	24.78
75861-22**	24	44.40	52.53



- NOTES:
- MATERIAL; HOUSING - LIQUID CRYSTAL POLYMER (LCP), GLASS-FILLED UL 94V-0, GRAY. SIGNAL CONTACTS - HIGH PERFORMANCE COPPER ALLOY.
  - FINISHES; SELECTIVE GOLD (Au) ON CONTACT AREA, SELECTIVE TIN/LEAD (Sn/Pb) ON TAIL AREA, NICKEL (Ni) OVERALL.
  - 10-COLUMN ASSEMBLY SHOWN AS REFERENCE. SEE TABLE AND CHART FOR OTHER OPTIONS.
  - PARTS PACKAGED PER PK-70873-5058.
  - THIS PART CONFORMS TO MOLEX PRODUCT SPECIFICATION PS-75221-999.
  - FOR MIXED CONTACT MATING LENGTH CONSULT MOLEX.
  - EITHER MARK PART NUMBER AND DATE CODE APPROXIMATELY WHERE SHOWN OR PLACE A LABEL ON THE TUBE.
  - MINIMUM CIRCUIT BOARD THICKNESS: 1.6
  - OPTIONAL HOLE LOCATION FOR GROUNDED GUIDE PIN OR FOR ADDITIONAL GUIDE PIN SUPPORT. HOLE TO BE PLATED, DRILL SIZE Ø2.58, PAD SIZE Ø5.50
  - THESE PARTS CONFORM TO MOLEX COSMETIC SPECIFICATION PS-45499-002 CLASS B.

REVISED EC NO.: UCP2007-2780 DRAWN: JB INGHAM CHKD: APPR: SREED REV	QUALITY SYMBOLS ▽=0 ▽=0	GENERAL TOLERANCES (UNLESS SPECIFIED) mm INCH	DIMENSION STYLE MM ONLY		SCALE	DESIGN UNITS	PROJECTION	DATE	TITLE
			4 PLACES ± --- ± ---		5:1	METRIC	2006/02/06	GBX 2-PAIR L-SERIES LEFT END BACKPLANE SALES ASSEMBLY DRAWING	
			3 PLACES ± --- ± ---		2006/02/06	MOLEX MOLEX INCORPORATED			
2 PLACES ± --- ± ---		DATE	DOCUMENT NO.			SHEET NO.			
1 PLACE ± --- ± ---		ANGULAR ± ---°	DRAFT WHERE APPLICABLE MUST REMAIN WITHIN DIMENSIONS		2006/02/06	SD-75861-210			
DRAWN BY: JB INGHAM			DATE: 2006/02/06			1 OF 1			
CHECKED BY: K MULVEY			DATE: 2006/02/06			THIS DRAWING CONTAINS INFORMATION THAT IS PROPRIETARY TO MOLEX INCORPORATED AND SHOULD NOT BE USED WITHOUT WRITTEN PERMISSION			