

PLEASE CHECK WWW.MOLEX.COM FOR LATEST PART INFORMATION

Part Number: [0006023042](#)
Status: **Active**
Overview: [flat blade](#)
Description: Flat Blade Appliance Defrost Timer Crimp Housing, 4 Circuit, 4 Circuits

Documents:

[3D Model](#) [RoHS Certificate of Compliance \(PDF\)](#)
[Drawing \(PDF\)](#)

General

Product Family	Crimp Housings
Series	42400
Overview	flat blade
Product Name	Flat Blade

Physical

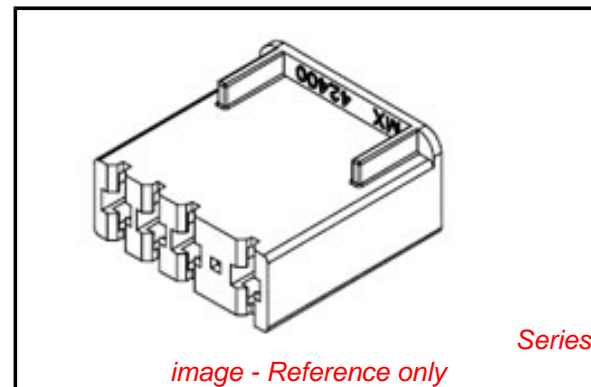
Circuits (maximum)	4
Color - Resin	Natural
Gender	Female
Glow-Wire Compliant	No
Keying to Mating Part	Yes
Lock to Mating Part	None
Material - Resin	Nylon
Number of Rows	1
Packaging Type	Bag
Panel Mount	No
Pitch - Mating Interface (in)	0.219 In, 0.379 In
Pitch - Mating Interface (mm)	5.56 mm, 9.63 mm
Pitch - Term. Interface (in)	0.219 In, 0.379 In
Pitch - Term. Interface (mm)	5.56 mm, 9.63 mm
Stackable	No
Temperature Range - Operating	-40°C to +75°C

Material Info

Old Part Number	42400-0001
-----------------	------------

Reference - Drawing Numbers

Sales Drawing	SD-42400-*00*
---------------	---------------



EU RoHS

**ELV and RoHS
Compliant**
**REACH SVHC
Contains SVHC: No**
**Halogen-Free
Status**
Not Reviewed

China RoHS



**Need more information on product
environmental compliance?**

Email productcompliance@molex.com
 For a multiple part number RoHS Certificate of
 Compliance, [click here](#)

Please visit the [Contact Us](#) section for any
 non-product compliance questions.

Search Parts in this Series

[42400Series](#)

Mates With

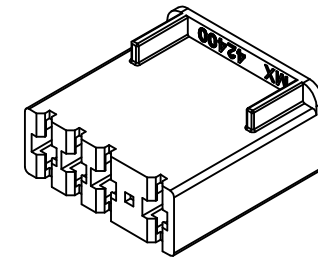
[Appliance Timer](#)

Use With

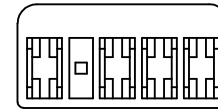
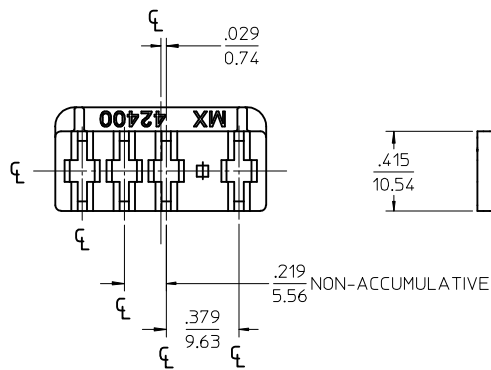
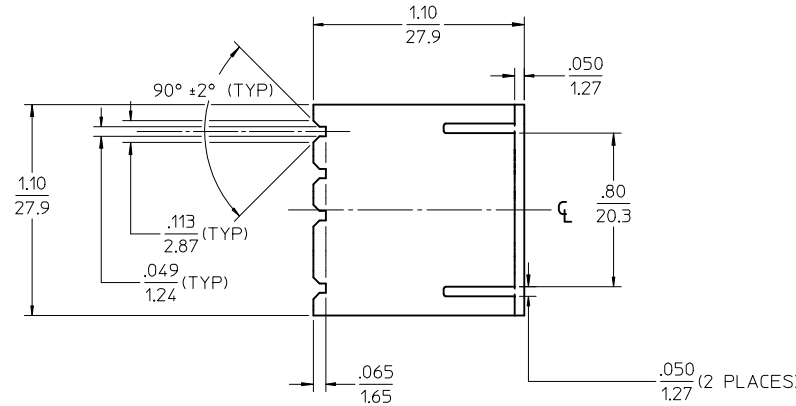
[41422](#)

NOTES:

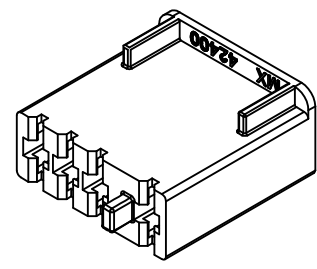
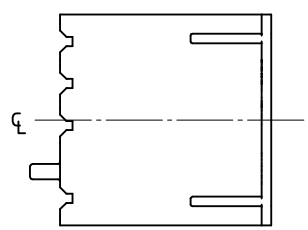
1. MATERIAL: SEE CHART ON SHEET 3
2. FINISH: NONE
3. PRODUCT SPECIFICATION: NONE
4. HOUSING MATES TO .032±.0005/0.81±0.013 THICK BY .250/6.35 WIDE BY .31/7.9 LONG SPADE TERMINALS. MAXIMUM LENGTH OF SPADE TERMINALS TO BE .450/11.43.
5. USE TERMINALS: ENG. NO. 41422-3* & -5*.
6. PARTS CONFORM TO CLASS 'B' REQUIREMENTS OF COSMETIC SPECIFICATION PS-45499-002.



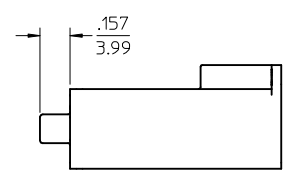
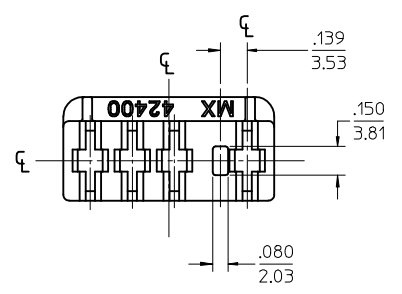
42400-000*



ANGLE TOLERANCE EC NO: UCP2008-1155 DRWN:LSCHMIDT 2007/11/20 CHKD:ADERR 2007/11/20 APPR:FSMITH 2007/11/20	QUALITY SYMBOLS ▽=0 ▽=0	GENERAL TOLERANCES (UNLESS SPECIFIED)		DIMENSION STYLE IN/MM		SCALE 2:1	DESIGN UNITS INCH	THIRD ANGLE PROJECTION		
						DRAWN BY MAB		DATE 1995/06/09		4 CIRCUIT CONNECTOR HOUSING
						CHECKED BY KBP		DATE 1995/06/09		
						APPROVED BY RAS		DATE 1995/06/09		
				MATERIAL NO. SEE CHART		DOCUMENT NO. SD-42400-*00*		SHEET NO. 1 OF 3		
		DRAFT WHERE APPLICABLE MUST REMAIN WITHIN DIMENSIONS		SIZE C		THIS DRAWING CONTAINS INFORMATION THAT IS PROPRIETARY TO MOLEX INCORPORATED AND SHOULD NOT BE USED WITHOUT WRITTEN PERMISSION				



42400-100*



42400-100*
SEE SHEET 1 FOR DIMENSIONS NOT SHOWN

SEE SHEET 1	EC NO: UCP2008-1155	2007/11/20
	DRWNL: SCHMIDT	2007/11/20
H	CHKD: ADERR	2007/11/20
	APPR: FSMITH	2007/11/20
REV	DESCRIPTION	

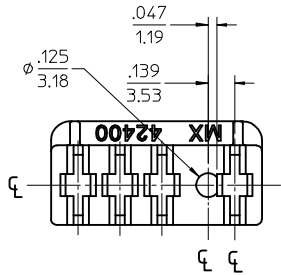
QUALITY SYMBOLS	▽=0
	▽=0

GENERAL TOLERANCES (UNLESS SPECIFIED)	
	mm INCH
4 PLACES ± ---	± ---
3 PLACES ± ---	± .010
2 PLACES ± 0.25	± .014
1 PLACE ± 0.35	± ---
ANGULAR ± 1 °	
DRAFT WHERE APPLICABLE MUST REMAIN WITHIN DIMENSIONS	

DIMENSION STYLE	
IN/MM	
DRAWN BY	DATE
MAB	1995/06/09
CHECKED BY	DATE
KBP	1995/06/09
APPROVED BY	DATE
RAS	1995/06/09
MATERIAL NO.	SEE CHART
SIZE	C

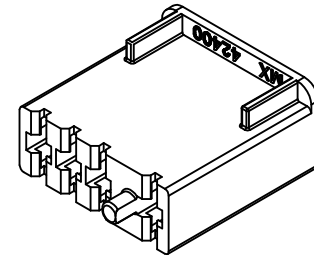
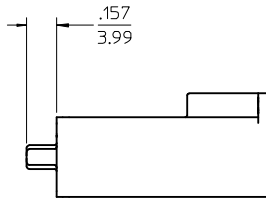
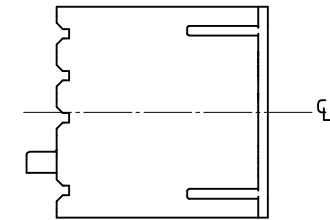
SCALE	DESIGN UNITS	THIRD ANGLE PROJECTION
2:1	INCH	☉ □
TITLE		
4 CIRCUIT CONNECTOR HOUSING		
MOLEX INCORPORATED		SHEET NO.
DOCUMENT NO. SD-42400-*00*		2 OF 3
THIS DRAWING CONTAINS INFORMATION THAT IS PROPRIETARY TO MOLEX INCORPORATED AND SHOULD NOT BE USED WITHOUT WRITTEN PERMISSION		

ENG. NUMBER	E.D.P. NUMBER	NUMBER CIRCUITS	MATERIAL	COLOR	COMMENTS
42400-0001	06-02-3042	4	UL94 V-2 NYLON	NATURAL	NO PEG (SHT.1)
42400-0003	42400-0003	4	UL94 V-0 NYLON	WHITE	NO PEG (SHT.1)
42400-0004	42400-0004	4	UL94 V-0 NYLON	BLACK	NO PEG (SHT.1)
42400-1003	42400-1003	4	UL94 V-0 NYLON	WHITE	SQUARE PEG (SHT.2)
42400-1004	42400-1004	4	UL94 V-0 NYLON	BLACK	SQUARE PEG (SHT.2)
42400-2001	42400-2001	4	UL94 V-2 NYLON	NATURAL	ROUND PEG (SHT.3)
42400-2003	42400-2003	4	UL94 V-0 NYLON	WHITE	ROUND PEG (SHT.3)
42400-2004	42400-2004	4	UL94 V-0 NYLON	BLACK	ROUND PEG (SHT.3)



42400-200*

SEE SHEET 1 FOR DIMENSIONS NOT SHOWN



42400-200*

SEE SHEET 1 EC NO: UCP2008-1155 DRWN:LSCHMIDT 2007/11/20 CHKD:ADERR 2007/11/20 APPR:FSMITH 2007/11/20	QUALITY SYMBOLS ▽=0 ▽=0	GENERAL TOLERANCES (UNLESS SPECIFIED)		DIMENSION STYLE IN/MM		SCALE 2:1	DESIGN UNITS INCH	THIRD ANGLE PROJECTION
		mm INCH	DRAWN BY DATE MAB 1995/06/09	TITLE 4 CIRCUIT CONNECTOR HOUSING				
		4 PLACES ± --- ± --- 3 PLACES ± --- ± .010 2 PLACES ± 0.25 ± .014 1 PLACE ± 0.35 ± ---	CHECKED BY DATE KBP 1995/06/09	MOLEX INCORPORATED				
		ANGULAR ± 1 °	APPROVED BY DATE RAS 1995/06/09	MATERIAL NO. SEE CHART		DOCUMENT NO. SD-42400-*00*	SHEET NO. 3 OF 3	
DRAFT WHERE APPLICABLE MUST REMAIN WITHIN DIMENSIONS		THIS DRAWING CONTAINS INFORMATION THAT IS PROPRIETARY TO MOLEX INCORPORATED AND SHOULD NOT BE USED WITHOUT WRITTEN PERMISSION						