

**P/N: 14ST8515 DATA SHEET****Feature**

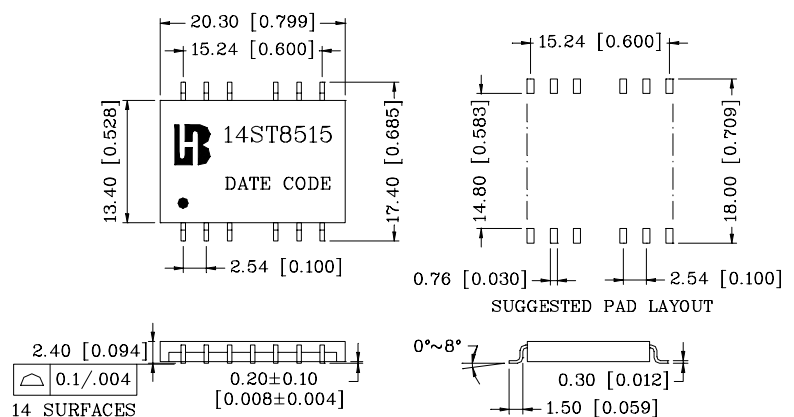
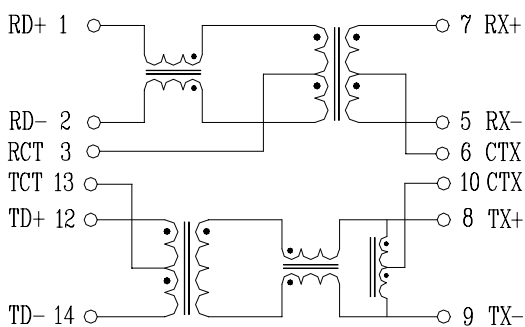
- Design to meet IEEE802.3 requirement.
- Optimum analog solution for 10/100 BASE-T PCMCIA application.
- Low profile SMD package.
- Pick and place compatible.
- Operating temperature range: 0°C to +70°C.
- Storage temperature range: -25°C to +125°C.

Electrical Specifications @ 25°C

Part Number	Turns Ratio (±5%)		OCL (uH Min) @ 100KHz/0.1V with 8mA DC Bias	L.L (uH Max)	C _{www} (pF Max)	HI-POT (Vrms)
	TX	RX				
14ST8515	1CT:1	1CT:1CT	350	0.5	28	1500

Continue

Part Number	Insertion Loss (dB Max)	Return Loss (dB Min)			Cross talk (dB Min)	
	0.3-100MHz	30MHz	60MHz	80MHz	0.3-60MHz	60-100MHz
14ST8515	-1.3	-16	-12	-10	-40	-38

Schematic**Mechanical**

Units: mm[Inches] Tolerances: xx.x0±0.25[0.010]
0.xx±0.05[0.002]