

PLEASE CHECK WWW.MOLEX.COM FOR LATEST PART INFORMATION

Part Number: [0482026041](#)

Status: **Active**

Description: D-subminiature Shielded I/O PCB Male Plug, Right Angle, Through Hole, 9 Circuits, #4-40 Flush Insert, 2 #4-40 Round Inner Thread Screws Included, 0.76µm (30µ") Gold (Au) Plating, PCB Thickness 1.60mm (.063"), Lead Free

Documents:

[3D Model](#)

[Drawing \(PDF\)](#)

[RoHS Certificate of Compliance \(PDF\)](#)

General

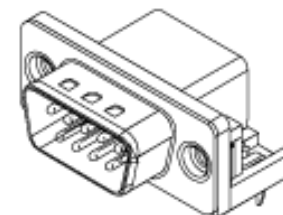
| | |
|----------------|-----------------------|
| Product Family | I/O Connectors |
| Series | 48202 |
| Application | Wire-to-Board |
| Comments | Shell: Steel |
| Component Type | Plug |
| Product Name | D-Sub |
| Type | N/A |

Physical

| | |
|--------------------------------|--------------------|
| Boot Color | N/A |
| Circuits (Loaded) | 9 |
| Circuits (maximum) | 9 |
| Gender | Male |
| Lock to Mating Part | Yes |
| Material - Plating Mating | Gold |
| Material - Plating Termination | Tin |
| Number of Rows | 2 |
| Orientation | Right Angle |
| PC Tail Length (in) | 0.125 In |
| PC Tail Length (mm) | 3.18 mm |
| PCB Locator | No |
| PCB Retention | Yes |
| PCB Thickness Recommended (in) | 0.063 In |
| PCB Thickness Recommended (mm) | 1.60 mm |
| Packaging Type | Tray |
| Panel Mount | Yes |
| Pitch - Mating Interface (in) | 0.054 In, 0.109 In |
| Pitch - Mating Interface (mm) | 1.38 mm, 2.77 mm |
| Pitch - Term. Interface (in) | 0.054 In, 0.109 In |
| Pitch - Term. Interface (mm) | 1.38 mm, 2.77 mm |
| Plating min: Mating (µin) | 30 |
| Plating min: Mating (µm) | 0.76 |
| Plating min: Termination (µin) | 100 |
| Plating min: Termination (µm) | 2.54 |
| Polarized to Mating Part | Yes |
| Polarized to PCB | Yes |
| Ports | 1 |
| Surface Mount Compatible (SMC) | No |
| Temperature Range - Operating | -55°C to +85°C |
| Termination Interface: Style | Through Hole |
| Waterproof / Dustproof | No |
| Wire Size AWG | N/A |

Electrical

| | |
|-------------------------------|----|
| Current - Maximum per Contact | 1A |
|-------------------------------|----|



Series

image - Reference only

EU RoHS

**ELV and RoHS
Compliant**

REACH SVHC

Not Reviewed

Halogen-Free

Status

Not Reviewed

China RoHS



**Need more information on product
environmental compliance?**

Email productcompliance@molex.com
For a multiple part number RoHS Certificate of
Compliance, [click here](#)

Please visit the [Contact Us](#) section for any
non-product compliance questions.

Search Parts in this Series

[48202Series](#)

Mates With

[48201](#)

Shield Type
Shielded
Voltage - Maximum

Full Shield
Yes
300V DC

Material Info

Reference - Drawing Numbers

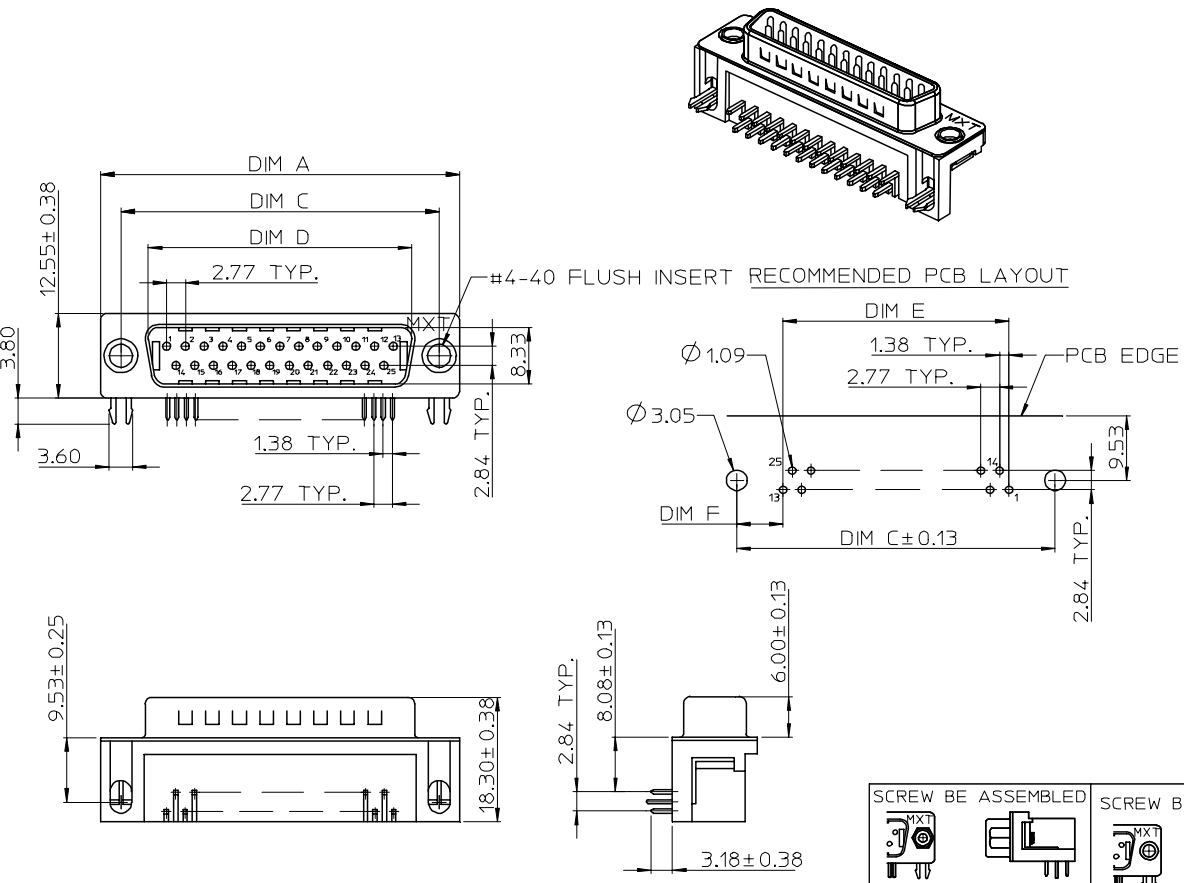
Sales Drawing

SD-48202-001

This document was generated on 03/31/2010

PLEASE CHECK WWW.MOLEX.COM FOR LATEST PART INFORMATION

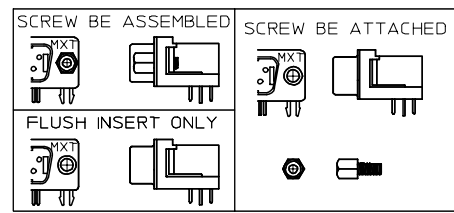
10 9 8 7 6 5 4 3 2 1



NOTE:
 1.MATERIAL:
 HOUSING: POLYESTER GLASS FILLED,UL94-V0,
 COLOR:BLACK
 TERMINAL: BRASS
 METAL SHELL: SPCC
 BOARD LOCK: BRASS
 SCREW: BRASS
 2.PLATING:
 TERMINAL:
 CONTACT AREA: SEE PART NUMBER LEGEND
 SOLDER TAIL: TIN(Sn),THICKNESS=100 MICREINCH MIN/2.54 MICROMETER MIN.
 UNDER PLATE: NICKEL(Ni),THICKNESS=50 MICROINCH MIN/1.27 MICROMETER MIN.
 METAL SHELL:TIN(Sn),THICKNESS=100 MICREINCH MIN/2.54 MICROMETER MIN.
 UNDER PLATE: COPPER(Cu),THICKNESS=50 MICROINCH MIN/1.27 MICROMETER MIN.
 BOARD LOCK: TIN (Sn),THICKNESS=100 MICREINCH MIN/2.54 MICROMETER MIN.
 SCREW: NICKEL(Ni),THICKNESS=50 MICROINCH MIN/1.27 MICROMETER MIN.
 3.RECOMMENDED PCB THICKNESS: 1.60+/-0.05mm
 4.PRODUCT SPECIFICATION: REFER TO PS-48201-001
 5.TEST SUMMARY: REFER TO TS-48202-001
 6.PACKAGING SPECIFICATION: REFER TO PK-48201-001
 7.LEAD FREE AND ROHS COMPLIANCE PRODUCT

PART NUMBER LEGEND

| CKT SIZE | PLATING | SCREW OPTION |
|----------|---------|---|
| 48202-6 | * | * |
| | 0:9 | 1:2 PCS #4-40 ROUND INNER THREAD SCREW RIVETTED |
| | 1:15 | 2:FLUSH INSERT ONLY |
| | 3:25 | 3:2 PCS #4-40 HEX INNER THREAD SCREW ASSEMBLED |
| | 4:37 | 4:2 PCS M2.6 INNER THREAD SCREW ASSEMBLED |
| | | 5:2 PCS M3 INNER THREAD SCREW ASSEMBLED |
| | | 6:2 PCS #4-40 HEX INNER THREAD SCREW ATTACHED |
| | | 7:2 PCS M2.6 INNER THREAD SCREW ATTACHED |
| | | 8:2 PCS M3 INNER THREAD SCREW ATTACHED |
| | | 4:30 MICRO INCH MINIMUM GOLD IN CONTACT AREA |
| | | 5:15 MICRO INCH MINIMUM GOLD IN CONTACT AREA |
| | | 6:GOLD FLASH IN CONTACT AREA |



| CKT SIZE | DIM A | DIM C | DIM D | DIM E | DIM F |
|----------|-------|-------|-------|-------|-------|
| 9 | 30.81 | 24.99 | 16.92 | 11.07 | 6.96 |
| 15 | 39.14 | 33.32 | 25.25 | 19.38 | 6.97 |
| 25 | 53.04 | 47.04 | 38.96 | 33.22 | 6.91 |
| 37 | 69.32 | 63.50 | 55.45 | 49.83 | 6.84 |

| | | | | | | |
|---|-------------------------------|---------------------------------------|---------------------|-------|--|------------------------|
| PER EWR 2007-0013 EC NO: SH2007-0097 DRWN:ALLIN CHKD: APPR:WWSCHANG 2006/09/18 2006/09/18 2006/09/18 | QUALITY SYMBOLS ▽=0 ▽=0 | GENERAL TOLERANCES (UNLESS SPECIFIED) | DIMENSION STYLE | SCALE | DESIGN UNITS | THIRD ANGLE PROJECTION |
| | | 4 PLACES ± --- ± --- | MM/IN | | METRIC | |
| | | 3 PLACES ± --- ± --- | | | | |
| | | 2 PLACES ± 0.25 ± --- | | | | |
| 1 PLACE ± 0.25 ± --- | | ANGULAR ± 3 ° | | | | |
| DRAFT WHERE APPLICABLE MUST REMAIN WITHIN DIMENSIONS | | SEE NOTES | DRAWN BY DATE | | TITLE | |
| | | | LINDA 2005/04/26 | | STANDARD D-SUB MALE TYPE FORK BOARD LOCK | |
| | | | CHECKED BY DATE | | MOLEX INCORPORATED | |
| | | | ALL IN 2005/04/26 | | | |
| | | | APPROVED BY DATE | | | |
| | | | WWSCHANG 2005/04/26 | | | |
| | | | MATERIAL NO. | | DOCUMENT NO. | |
| | | | | | SD-48202-001 | |
| | | | SIZE | | SHEET NO. | |
| | | | A3 | | 1 OF 1 | |
| THIS DRAWING CONTAINS INFORMATION THAT IS PROPRIETARY TO MOLEX INCORPORATED AND SHOULD NOT BE USED WITHOUT WRITTEN PERMISSION | | | | | | |

9 8 7 6 5 4 3 2 1