

**PLEASE CHECK WWW.MOLEX.COM FOR LATEST PART INFORMATION**

**Part Number:** [0433743001](#)  
**Status:** **Active**  
**Overview:** [sabre](#)  
**Description:** Sabre™ Crimp Terminal, Female, With Tin (Sn) Plated Brass Contact, 18-20 AWG, Reel Packaged, without TPA, UL1015 or UL1056 Wire

**Documents:**

[Drawing \(PDF\)](#) [RoHS Certificate of Compliance \(PDF\)](#)

**General**

Product Family	Crimp Terminals
Series	<a href="#">43374</a>
Crimp Quality Equipment	Yes
Overview	<a href="#">sabre</a>
Product Literature Order No	USA-113
Product Name	Sabre™

**Physical**

Durability (mating cycles max)	25
Gender	Female
Material - Metal	Brass
Material - Plating Mating	Tin
Material - Plating Termination	Tin
Packaging Type	Reel
Plating min: Mating (µin)	20
Plating min: Mating (µm)	0.50
Plating min: Termination (µin)	20
Plating min: Termination (µm)	0.50
Termination Interface: Style	Crimp or Compression
Wire Insulation Diameter	.071mm-.112mm
Wire Size AWG	18, 20
Wire Size mm²	N/A

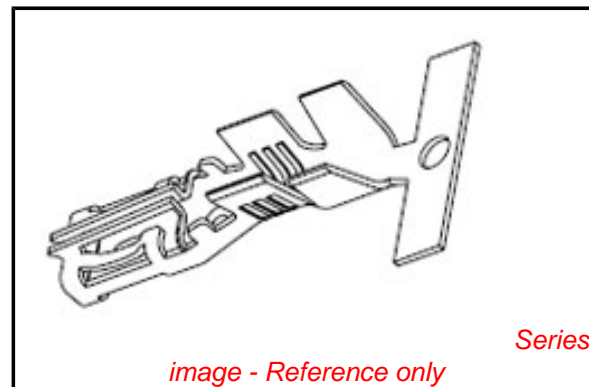
**Electrical**

Current - Maximum per Contact	12A
-------------------------------	-----

**Material Info**

**Reference - Drawing Numbers**

Sales Drawing	SD-43374-311
---------------	--------------



*image - Reference only*

**EU RoHS**

**ELV and RoHS  
Compliant**  
**REACH SVHC  
Contains SVHC: No**  
**Halogen-Free  
Status**

**China RoHS**



**Need more information on product  
environmental compliance?**

Email [productcompliance@molex.com](mailto:productcompliance@molex.com)  
 For a multiple part number RoHS Certificate of Compliance, [click here](#)

Please visit the [Contact Us](#) section for any non-product compliance questions.

**Search Parts in this Series**

[43374Series](#)

**Mates With**

[43178 Male Crimp Terminals](#)

**Use With**

[44441 Receptacle Housings](#)

**Application Tooling | FAQ**

*Tooling specifications and manuals are found by selecting the products below. Crimp Height Specifications are then contained in the Application Tooling Specification document.*

**Global**

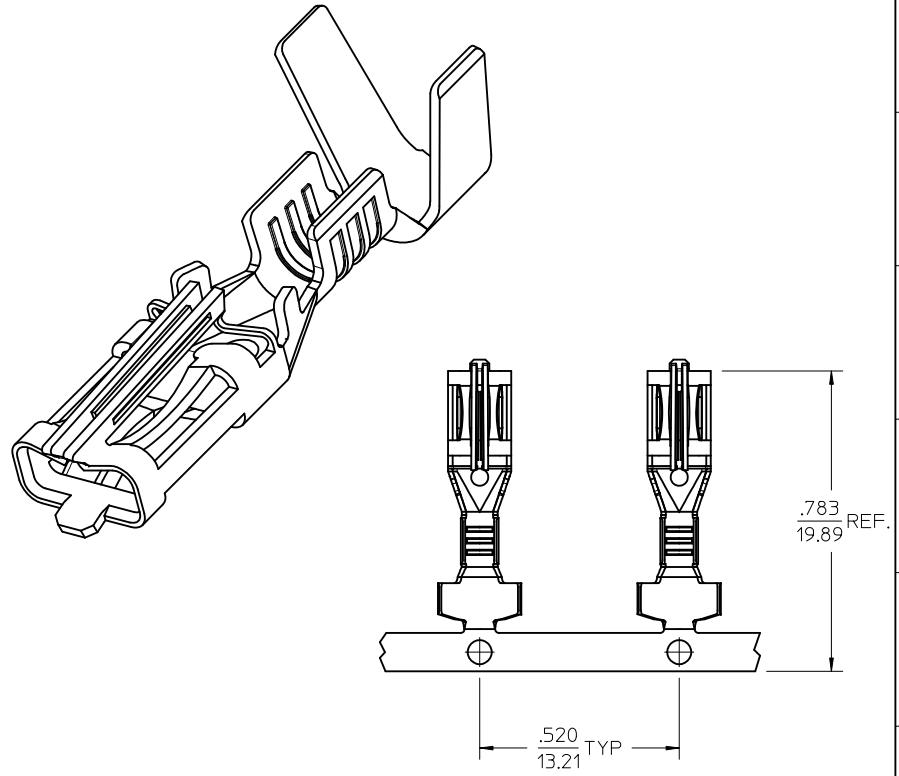
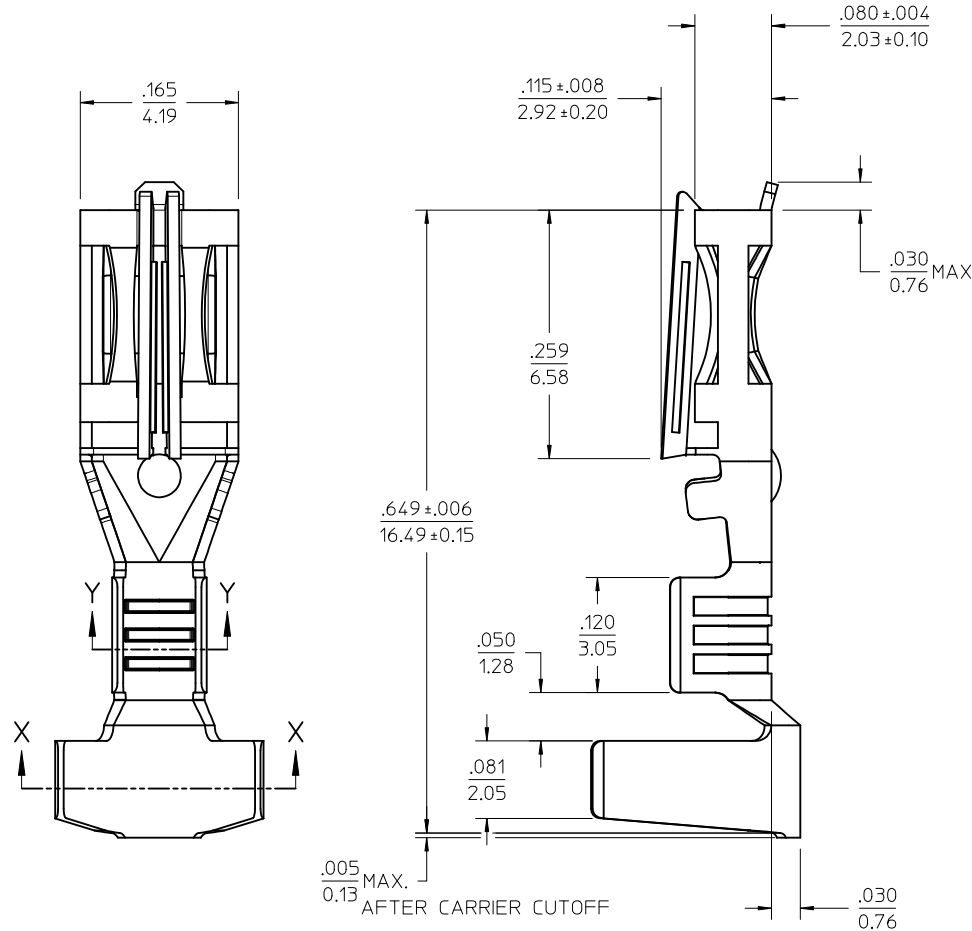
<b>Description</b>	<b>Product #</b>
--------------------	------------------

FineAdjust™ Applicator for Sabre™ Flat Blade Crimp Terminal, 18-20 AWG, UL 1015 wires	<a href="#">0639012700</a>
--	----------------------------

FineAdjust™ Applicator for Sabre™ Flat Blade Crimp Terminal, 18-20 AWG, UL1056 and SPT 3-wires	<u>0639012800</u>
T2 Terminator for Sabre™ Flat Blade Crimp Terminals, 18-20 AWG, UL1015 wires	<u>0639112700</u>
T2 Terminator for Sabre™ Flat Blade Crimp Terminals, 18-20 AWG, UL1056 and SPT-3 wires	<u>0639112800</u>

This document was generated on 05/19/2010

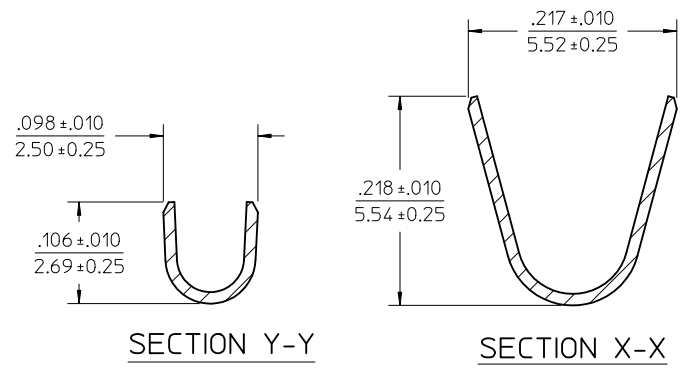
**PLEASE CHECK [WWW.MOLEX.COM](http://WWW.MOLEX.COM) FOR LATEST PART INFORMATION**



CARRIER STRIP PROGRESSION

NOTES:

1. MATERIAL: C26000 BRASS.
2. FINISH: 20 MICROINCH (0.5 MICROMETER) MINIMUM PREPLATED HOT TIN DIP.
3. PRODUCT SPECIFICATION: PS-44441-001.
4. PACKAGING: TERMINALS WOUND ON 24" REELS WITH PAPER INTERLEAF.
5. THIS TERMINAL FOR USE WITH 18-20 AWG STRANDED WIRE, UL 1015, 1056 OR SPT-3 STYLES, .100-.180 INSULATION DIAMETER. FOR FURTHER INFORMATION, REFER TO MOLEX APPLICATION TOOLING SPECIFICATION.
6. TERMINAL MATES TO .125/93.18 WIDE X .020/(0.51) THICK FLAT BLADE TERMINALS OR MOLEX 43178 SERIES CRIMP TERMINALS.



SECTION Y-Y

SECTION X-X

<b>NEW RELEASE</b> EC NO: UCP2010-1804 DRWN: BWIRKUS 2010/02/11 CHKD: 2010/02/11 APPR: BWIRKUS 2010/02/15 REV: A1	QUALITY SYMBOLS $\nabla=0$ $\nabla=0$	GENERAL TOLERANCES (UNLESS SPECIFIED) <table border="1"> <thead> <tr> <th></th> <th>mm</th> <th>INCH</th> </tr> </thead> <tbody> <tr> <td>4 PLACES</td> <td><math>\pm .005</math></td> <td><math>\pm .0005</math></td> </tr> <tr> <td>3 PLACES</td> <td><math>\pm .005</math></td> <td><math>\pm .0005</math></td> </tr> <tr> <td>2 PLACES</td> <td><math>\pm 0.13</math></td> <td><math>\pm .010</math></td> </tr> <tr> <td>1 PLACE</td> <td><math>\pm 0.25</math></td> <td><math>\pm .010</math></td> </tr> </tbody> </table>		mm	INCH	4 PLACES	$\pm .005$	$\pm .0005$	3 PLACES	$\pm .005$	$\pm .0005$	2 PLACES	$\pm 0.13$	$\pm .010$	1 PLACE	$\pm 0.25$	$\pm .010$	DIMENSION STYLE IN/MM	SCALE 10:1	DESIGN UNITS INCH	THIRD ANGLE PROJECTION
		mm	INCH																		
	4 PLACES	$\pm .005$	$\pm .0005$																		
	3 PLACES	$\pm .005$	$\pm .0005$																		
2 PLACES	$\pm 0.13$	$\pm .010$																			
1 PLACE	$\pm 0.25$	$\pm .010$																			
DRAFT WHERE APPLICABLE MUST REMAIN WITHIN DIMENSIONS		MATERIAL NO. 433743001	DRAWN BY BWIRKUS	DATE 09-09-2009	TITLE SABRE 18-20AWG CRIMP FEM .125 FL BLD TERM W/O TPA UL1015, 1056 OR SPT-3																
		APPROVED BY APATEL	DATE 09-09-2009	MOLEX MOLEX INCORPORATED		SHEET NO. 1 OF 1															
		DOCUMENT NO. SD-43374-311				THIS DRAWING CONTAINS INFORMATION THAT IS PROPRIETARY TO MOLEX INCORPORATED AND SHOULD NOT BE USED WITHOUT WRITTEN PERMISSION															