

**PLEASE CHECK WWW.MOLEX.COM FOR LATEST PART INFORMATION**

**Part Number:** [0194351214](#)  
**Status:** **Active**  
**Overview:** [mx150l sealed connector system](#)  
**Description:** MX150L™ 12 Circuit Rear Mount Flange Plug for 18-22 AWG Wire, without Gasket

**Documents:**

[3D Model](#) [RoHS Certificate of Compliance \(PDF\)](#)  
[Drawing \(PDF\)](#)

**Agency Certification**

UL E152602

**General**

Product Family Crimp Housings  
 Series [19435](#)  
 Comments Mat Seal Color is Red  
 Overview [mx150l sealed connector system](#)  
 Product Literature Order No 987650-2181  
 Product Name MX150L™

**Physical**

Circuits (maximum) 12  
 Flammability 94V-0  
 Gender Male  
 Glow-Wire Compliant No  
 Lock to Mating Part Yes  
 Number of Rows 2  
 Packaging Type Bag  
 Panel Mount Yes  
 Pitch - Mating Interface (in) 0.230 In  
 Pitch - Mating Interface (mm) 5.84 mm  
 Polarized to Mating Part Yes  
 Stackable No  
 Temperature Range - Operating -40°C to +125°C

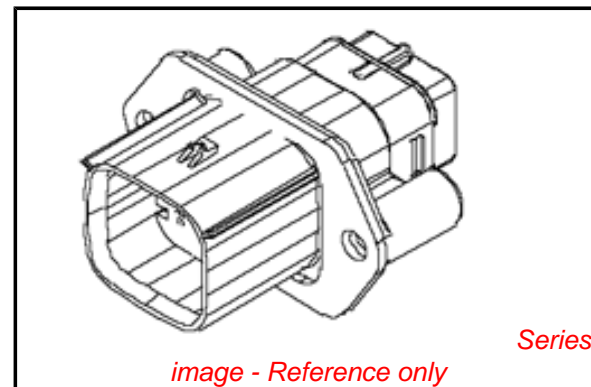
**Electrical**

Current - Maximum per Contact 18A

**Material Info**

**Reference - Drawing Numbers**

Packaging Specification PK-19435-001  
 Sales Drawing SD-19435-012



*image - Reference only*

**EU RoHS**

**ELV and RoHS  
 Compliant**  
**REACH SVHC**  
 Not Reviewed  
**Halogen-Free  
 Status**

**Not Reviewed**

**Need more information on product  
 environmental compliance?**

Email [productcompliance@molex.com](mailto:productcompliance@molex.com)  
 For a multiple part number RoHS Certificate of  
 Compliance, [click here](#)

Please visit the [Contact Us](#) section for any  
 non-product compliance questions.

**China RoHS**



**Search Parts in this Series**

[19435Series](#)

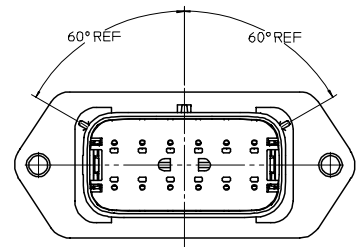
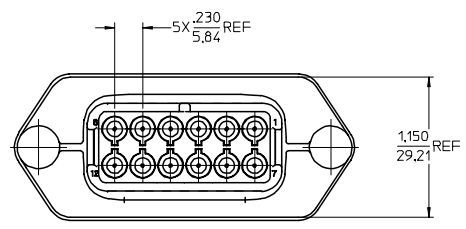
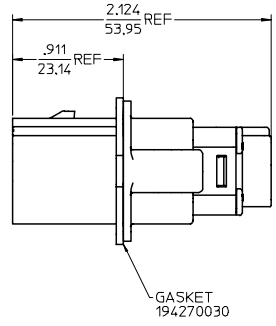
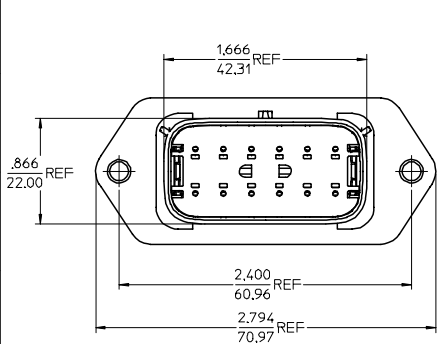
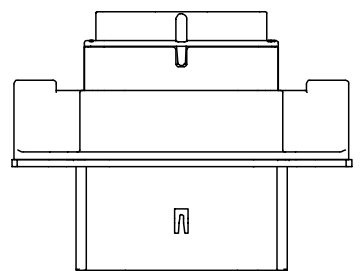
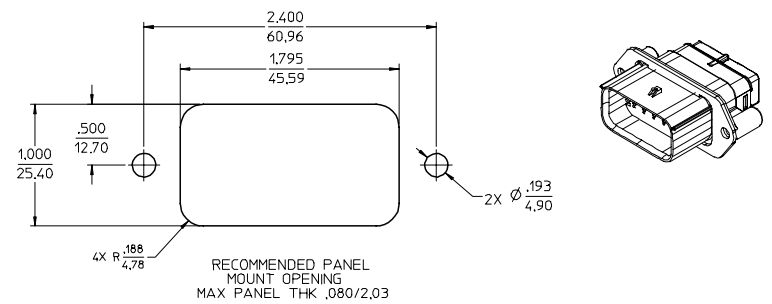
**Mates With**

[19418](#)

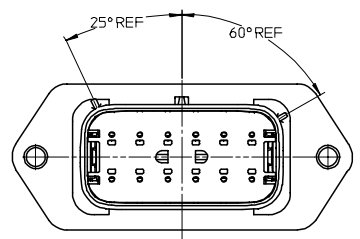
**Use With**

[19417 Male Crimp Terminals](#)

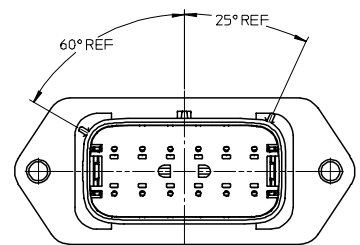
MATERIAL NUMBER	WIRE GAGE	GASKET	KEYING OPTION	COLOR
194351211	16-14	YES	A	BLACK
194351212	22-18	YES	A	BLACK
194351213	16-14	NO	A	BLACK
194351214	22-18	NO	A	BLACK
194351216	16-14	YES	B	GRAY
194351217	22-18	YES	B	GRAY
194351218	16-14	NO	B	GRAY
194351219	22-18	NO	B	GRAY
194351221	16-14	YES	C	BROWN
194351222	22-18	YES	C	BROWN
194351223	16-14	NO	C	BROWN
194351224	22-18	NO	C	BROWN
194351226	16-14	YES	D	GREEN
194351227	22-18	YES	D	GREEN
194351228	16-14	NO	D	GREEN
194351229	22-18	NO	D	GREEN



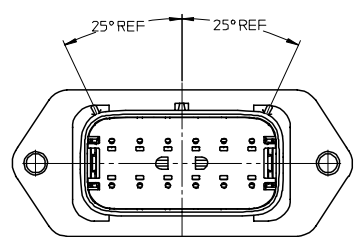
KEY A



KEY B



KEY C



KEY D

NOTES:  
 1. MATERIALS:  
 HOUSING: POLYESTER (PBT). GLASS FILLED. UL94 V-0.  
 COLOR: SEE CHART.  
 SEAL & GASKET: SILICONE RUBBER.  
 2. PRODUCT SPECIFICATION: PS-19417-001  
 3. PACKAGING SPECIFICATION: PK-19419-001.  
 4. MATES WITH: 19418 SERIES RECEPTACLE ASSEMBLIES.  
 5. RECOMMENDED MOUNTING HARDWARE: (2) #10 X .62/18.9 LONG PLASTIC  
 THREAD CUTTING SCREWS, RECOMMENDED TORQUE 15-17 IN-LBS.  
 SUGGESTED SOURCE: ITW SHAKEPROOF INDUSTRIAL BOSSCREW OR EQUIVALENT.

<b>NEW PRODUCT</b> EC NO: ETC2005-0228 DRAWN: JPAMLCK 2005/06/20 CHKCD: JPAMLCK 2005/06/21 APPR: RDEROSS 2005/06/21	QUALITY SYMBOLS	GENERAL TOLERANCES (UNLESS SPECIFIED)	DIMENSION STYLE	SCALE	DESIGN UNITS	THIRD ANGLE PROJECTION															
	$\nabla=0$ $\nabla=0$	<table border="1"> <tr><th></th><th>mm</th><th>INCH</th></tr> <tr><td>4 PLACES</td><td>± .---</td><td>± .---</td></tr> <tr><td>3 PLACES</td><td>± .---</td><td>± .015</td></tr> <tr><td>2 PLACES</td><td>± 0.38</td><td>± .---</td></tr> <tr><td>1 PLACE</td><td>± .---</td><td>± .---</td></tr> </table>		mm	INCH	4 PLACES	± .---	± .---	3 PLACES	± .---	± .015	2 PLACES	± 0.38	± .---	1 PLACE	± .---	± .---	IN/MM	2:1	INCH	
		mm	INCH																		
	4 PLACES	± .---	± .---																		
3 PLACES	± .---	± .015																			
2 PLACES	± 0.38	± .---																			
1 PLACE	± .---	± .---																			
DRAFT WHERE APPLICABLE MUST REMAIN WITHIN DIMENSIONS	SEE CHART SIZE D	DRAWN BY: JPAMLCK   DATE: 02/09/05 CHECKED BY:   DATE: JPAMLCK   DATE: 02/10/05 APPROVED BY: RDEROSS   DATE: 02/11/05	TITLE: <b>12 WAY SEALED PLUG PANEL MOUNT ASSEMBLY, 22-14 AWG, A-D POLARIZATION</b>	MATERIAL NO. <b>SD-19435-012</b>	DOCUMENT NO. <b>SD-19435-012</b>	SHEET NO. <b>1 OF 1</b>															
THIS DRAWING CONTAINS INFORMATION THAT IS PROPRIETARY TO MOLEX INCORPORATED AND SHOULD NOT BE USED WITHOUT WRITTEN PERMISSION																					