

**PLEASE CHECK WWW.MOLEX.COM FOR LATEST PART INFORMATION**

**Part Number:** [0554540870](#)  
**Status:** **Active**  
**Description:** 1.25mm (.049") Pitch Mi II™ System Wire-to-Board Header, Single Row, Right Angle, Lead-free, 8 Circuits

**Documents:**

[3D Model](#) [Product Specification PS-54596-018 \(PDF\)](#)  
[Drawing \(PDF\)](#) [RoHS Certificate of Compliance \(PDF\)](#)

**General**

Product Family	PCB Headers
Series	<a href="#">55454</a>
Application	Wire-to-Board
Product Name	Mini Mi II™

**Physical**

Breakaway	No
Circuits (Loaded)	8
Color - Resin	Natural
Durability (mating cycles max)	30
First Mate / Last Break	No
Glow-Wire Compliant	No
Guide to Mating Part	No
Keying to Mating Part	None
Lock to Mating Part	Yes
Material - Plating Mating	Tin
Material - Plating Termination	Tin
Number of Rows	1
Orientation	Right Angle
PC Tail Length (in)	0.118 In
PC Tail Length (mm)	3.00 mm
PCB Locator	Yes
PCB Retention	Yes
PCB Thickness Recommended (in)	0.062 In
PCB Thickness Recommended (mm)	1.60 mm
Packaging Type	Tray
Pitch - Mating Interface (in)	0.049 In
Pitch - Mating Interface (mm)	1.25 mm
Polarized to Mating Part	Yes
Shrouded	Fully
Stackable	No
Surface Mount Compatible (SMC)	No
Temperature Range - Operating	-40°C to +105°C
Termination Interface: Style	Through Hole

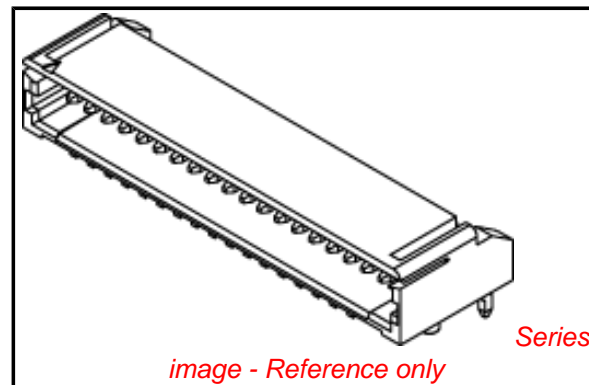
**Electrical**

Current - Maximum per Contact	1.5A
Voltage - Maximum	100V

**Material Info**

**Reference - Drawing Numbers**

Product Specification	PS-54596-018, RPS-54596-024
Sales Drawing	SD-55454-007



*image - Reference only*

**EU RoHS**

**ELV and RoHS  
Compliant**  
**REACH SVHC**  
 Not Reviewed  
**Halogen-Free  
Status**  
 Not Reviewed

**China RoHS**



**Need more information on product  
environmental compliance?**

Email [productcompliance@molex.com](mailto:productcompliance@molex.com)  
 For a multiple part number RoHS Certificate of Compliance, [click here](#)

Please visit the [Contact Us](#) section for any non-product compliance questions.

**Search Parts in this Series**

[55454Series](#)

**Mates With**

[51336](#) PBT Polyester, Glass-filled Housing.  
[54596](#) PA Polyamide Housing

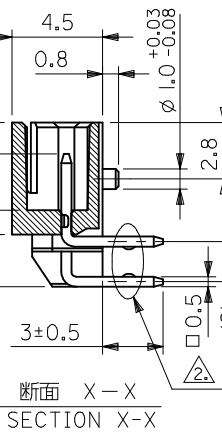
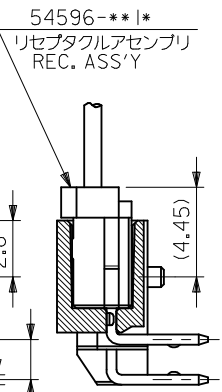
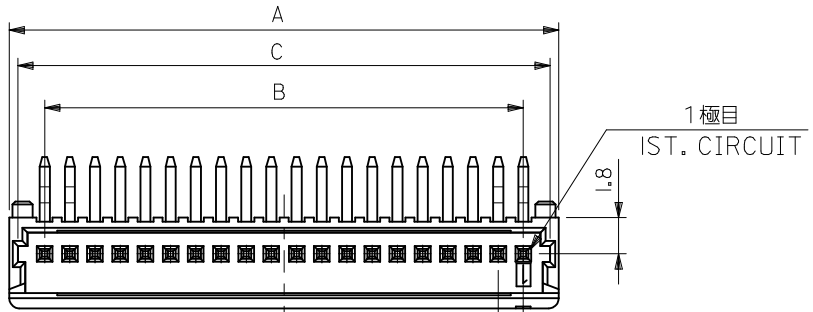
This document was generated on 04/16/2010

**PLEASE CHECK [WWW.MOLEX.COM](http://WWW.MOLEX.COM) FOR LATEST PART INFORMATION**

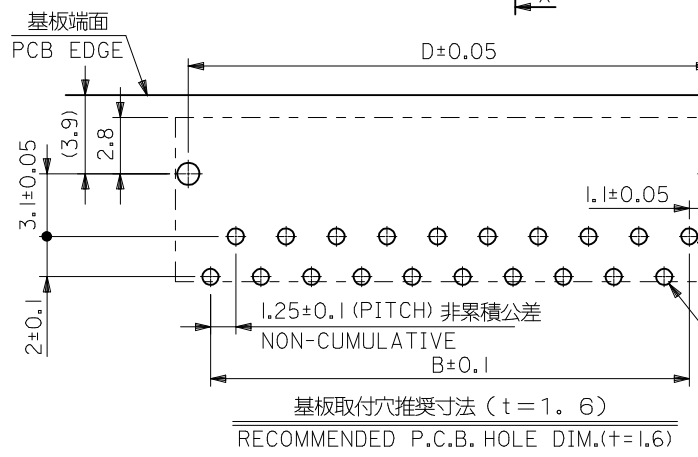
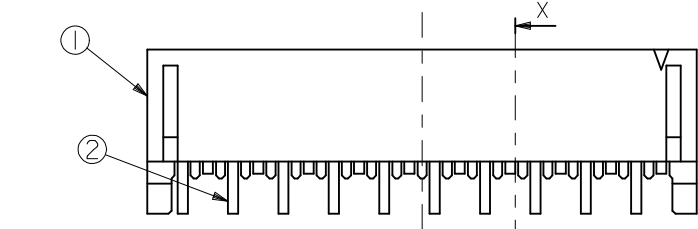
番号 NO.	名称 NAME	原料 MATERIAL	数量 QTY	仕上げ FINISH
①	ウエハー WEFAR	ポリアミド PA	1	UL94V-0
②	ピン PIN	黄銅 BRASS	N	錫メッキ 1.0マイクロメートル以上 PRE-TINNED 1.0 MICROMETER MINIMUM 下地: ニッケルメッキ 0.5マイクロメートル以上 UNDER PLATE-NICKEL 0.5 MICROMETER MINIMUM

注) NOTES

- 1. 原料および仕上げ: 表参照  
MATERIAL AND FINISH: SEE CHART
- △ キングは、両サイド4ピンに適用。(4極品までは、全極に適用)  
TO BE APPLICABLE 4 PIN OF BOTH SIDE.
- △3 製品番号 MATERIAL NO.  
55454-\*\*\*7\*  
極数 CIRCUIT SIZE (02 ~ 20)  
メッキ仕様: 無鉛 PLATING: LEAD FREE  
0: 自然色 NATURAL  
色 2: 赤色 RED  
COLOR 3: 黄色 YELLOW



嵌合図 MATING REC.



25.95	26.4	23.75	27.25	20	55454-207*
24.7	25.15	22.5	26	19	-197*
23.45	23.9	21.25	24.75	18	-187*
22.2	22.65	20	23.5	17	-177*
20.95	21.4	18.75	22.25	16	-167*
19.7	20.15	17.5	21	15	-157*
18.45	18.9	16.25	19.75	14	-147*
17.2	17.65	15	18.5	13	-137*
15.95	16.4	13.75	17.25	12	-127*
14.7	15.15	12.5	16	11	-117*
13.45	13.9	11.25	14.75	10	-107*
12.2	12.65	10	13.5	9	-097*
10.95	11.4	8.75	12.25	8	-087*
9.7	10.15	7.5	11	7	-077*
8.45	8.9	6.25	9.75	6	-067*
7.2	7.65	5	8.5	5	-057*
5.95	6.4	3.75	7.25	4	-047*
4.7	5.15	2.5	6	3	-037*
3.45	3.9	1.25	4.75	2	55454-027*

55454-\*\*\*7\*

無鉛 LEAD FREE

REVISED		GENERAL TOLERANCES (UNLESS SPECIFIED)		DIMENSION STYLE		SCALE		DESIGN UNITS		THIRD ANGLE PROJECTION		
EC NO: J2009-1881	2009/02/05	10 UNDER	±0.2	MM ONLY		4:1		METRIC				
DRW:RTSURIJOKA	2009/02/05	10 OVER 30 UNDER	±0.25	DRAWN BY	DATE	TITLE						
CHKD:THARUYAMA	2009/02/05	30 OVER	±0.3	CHECKED BY	DATE	MINI M12 1-ROW R/A WAFER ASS'Y (SN)						
APPR:NIKI ITA	2009/02/05	ANGULAR ±3 °		APPROVED BY	DATE	MOLEX INCORPORATED						
REV	DESCRIPTION	DRAFT WHERE APPLICABLE MUST REMAIN WITHIN DIMENSIONS		MATERIAL NO.	DATE	SEE TABLE		DOCUMENT NO.		SHEET NO.		
A						SD-55454-007				1 OF 1		
				SIZE	THIS DRAWING CONTAINS INFORMATION THAT IS PROPRIETARY TO MOLEX INCORPORATED AND SHOULD NOT BE USED WITHOUT WRITTEN PERMISSION							