

PLEASE CHECK WWW.MOLEX.COM FOR LATEST PART INFORMATION

Part Number: [0194350614](#)
Status: **Active**
Overview: [mx150l sealed connector system](#)
Description: MX150L™ 6 Circuit Rear Mount Flange Plug for 18-22 AWG Wire, without Gasket

Documents:

[3D Model](#) [RoHS Certificate of Compliance \(PDF\)](#)
[Drawing \(PDF\)](#)

Agency Certification

UL E152602

General

Product Family Crimp Housings
 Series [19435](#)
 Comments Mat Seal Color is Red
 Overview [mx150l sealed connector system](#)
 Product Literature Order No 987650-2181
 Product Name MX150L™

Physical

Circuits (maximum) 6
 Flammability 94V-0
 Gender Male
 Glow-Wire Compliant No
 Lock to Mating Part Yes
 Number of Rows 2
 Packaging Type Bag
 Panel Mount Yes
 Pitch - Mating Interface (in) 0.230 In
 Pitch - Mating Interface (mm) 5.84 mm
 Polarized to Mating Part Yes
 Stackable No
 Temperature Range - Operating -40°C to +125°C

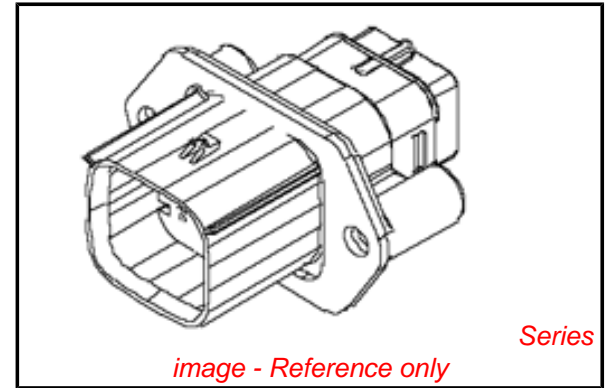
Electrical

Current - Maximum per Contact 18A

Material Info

Reference - Drawing Numbers

Packaging Specification PK-19435-001
 Sales Drawing SD-19435-006



EU RoHS

**ELV and RoHS
Compliant**
REACH SVHC
 Not Reviewed
**Halogen-Free
Status**
 Not Reviewed

China RoHS



**Need more information on product
environmental compliance?**

Email productcompliance@molex.com
 For a multiple part number RoHS Certificate of
 Compliance, [click here](#)

Please visit the [Contact Us](#) section for any
 non-product compliance questions.

Search Parts in this Series

[19435Series](#)

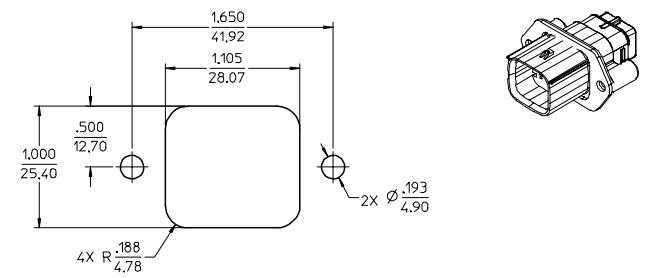
Mates With

[19418](#)

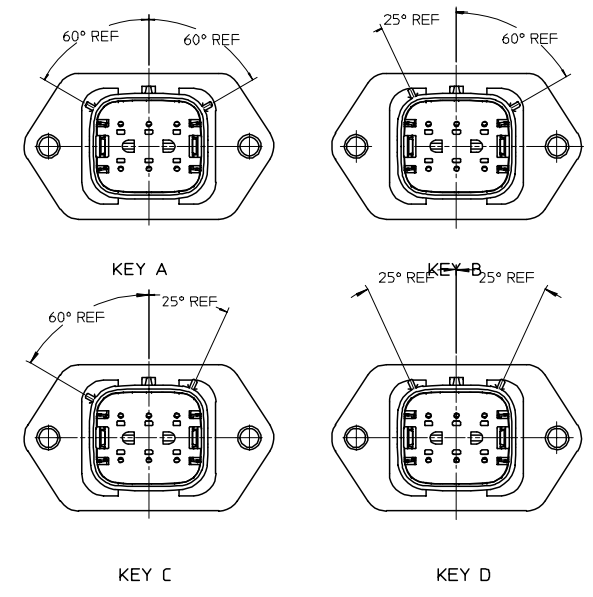
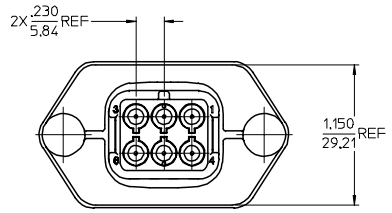
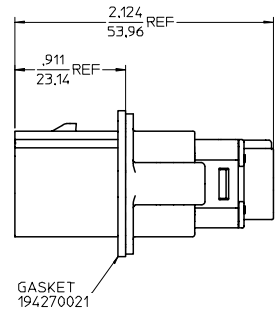
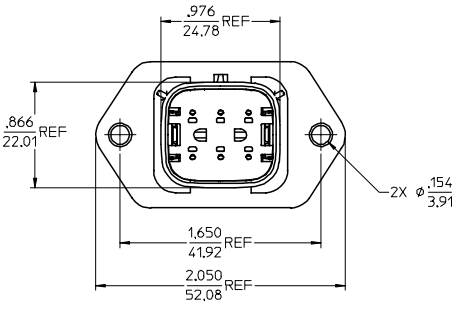
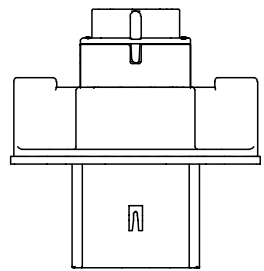
Use With

[19417 Male Crimp Terminals](#)

MATERIAL NUMBER	WIRE GAGE	GASKET	KEYING OPTION	COLOR
194350611	16-14	YES	A	BLACK
194350612	22-18	YES	A	BLACK
194350613	16-14	NO	A	BLACK
194350614	22-18	NO	A	BLACK
194350616	16-14	YES	B	GRAY
194350617	22-18	YES	B	GRAY
194350618	16-14	NO	B	GRAY
194350619	22-18	NO	B	GRAY
194350621	16-14	YES	C	BROWN
194350622	22-18	YES	C	BROWN
194350623	16-14	NO	C	BROWN
194350624	22-18	NO	C	BROWN
194350626	16-14	YES	D	GREEN
194350627	22-18	YES	D	GREEN
194350628	16-14	NO	D	GREEN
194350629	22-18	NO	D	GREEN



RECOMMENDED PANEL MOUNT OPENING
MAX PANEL THK .080/2.03



- NOTES:
- MATERIALS:
HOUSING: POLYESTER (PBT), GLASS FILLED, UL94 V-0, COLOR: SEE CHART.
SEAL & GASKET: SILICONE RUBBER.
 - PRODUCT SPECIFICATION: PS-19417-001.
 - PACKAGING SPECIFICATION: PK-19419-001.
 - MATES WITH: 19418 SERIES RECEPTACLE ASSEMBLIES.
 - RECOMMENDED MOUNTING HARDWARE: (2)#10 X .62/18.9 LONG PLASTIC THREAD CUTTING SCREWS, RECOMMENDED TORQUE 15-17 IN.-LBS, SUGGESTED SOURCE: ITW SHAKEPROOF INDUSTRIAL BOSSCREW OR EQUIVALENT.

NEW PRODUCT EC NO. ETC 2005-0228 DRAWN: JPWL ICK 2005/06/20 CHKD: JPWL ICK 2005/06/21 APPR: RDEROSS 2005/06/21	QUALITY SYMBOLS ▽=0 ▽=0	GENERAL TOLERANCES (UNLESS SPECIFIED)	DIMENSION STYLE IN/MM	SCALE 2:1	DESIGN UNITS INCH	THIRD ANGLE PROJECTION
	4 PLACES ± .--- ± .--- 3 PLACES ± .--- ± .15 2 PLACES ± 0.38 ± .--- 1 PLACE ± .--- ± .--- ANGULAR ± 2 °	mm INCH	DRAWN BY JPWL ICK DATE 02/09/05	CHECKED BY DATE 02/10/05	TITLE 6 WAY SEALED PLUG PANEL MOUNT ASSEMBLY, 22-14 AWG, A-D POLARIZATION	MATERIAL NO. SD-19435-006
REV A	DRAFT WHERE APPLICABLE MUST REMAIN WITHIN DIMENSIONS	SEE CHART	THIS DRAWING CONTAINS INFORMATION THAT IS PROPRIETARY TO MOLEX INCORPORATED AND SHOULD NOT BE USED WITHOUT WRITTEN PERMISSION			