

PLEASE CHECK WWW.MOLEX.COM FOR LATEST PART INFORMATION

Part Number: [0905842318](#)
Status: **Active**
Description: 1.27mm (.050") Pitch Picoflex® PF-50 IDT Receptacle, Low Profile, Board-In, 18 Circuits

Documents:

[3D Model](#) [Product Specification PS-99020-0011 \(PDF\)](#)
[Drawing \(PDF\)](#) [RoHS Certificate of Compliance \(PDF\)](#)
[Product Specification ES-99033-0002 \(PDF\)](#)

General

| | |
|---------------------|-------------------------------------|
| Product Family | Ribbon Cable / Wire Trap Connectors |
| Series | 90584 |
| Comments | Low Profile |
| Component Type | One Piece |
| Glow-Wire Compliant | No |
| Product Name | Board-In, Picoflex® |

Physical

| | |
|--------------------------------|---------------------------|
| Circuits (Loaded) | 18 |
| Color - Resin | Natural |
| Durability (mating cycles max) | 30 |
| Entry Angle | 90° Angle |
| Lock to Mating Part | None |
| Material - Metal | Phosphor Bronze |
| Material - Plating Mating | Tin |
| Material - Plating Termination | Tin |
| Material - Resin | Polyester |
| Number of Rows | 2 |
| PCB Locator | No |
| PCB Retention | Yes |
| PCB Thickness Recommended (in) | 0.062 In |
| PCB Thickness Recommended (mm) | 1.60 mm |
| Packaging Type | Tube - Stacked |
| Pitch - Mating Interface (in) | 0.050 In |
| Pitch - Mating Interface (mm) | 1.27 mm |
| Plating min: Mating (µin) | 80.00 |
| Plating min: Mating (µm) | 2.00 |
| Plating min: Termination (µin) | 80.00 |
| Plating min: Termination (µm) | 2.00 |
| Polarized to Mating Part | N/A |
| Polarized to PCB | Yes |
| Stackable | No |
| Surface Mount Compatible (SMC) | No |
| Temperature Range - Operating | -40°C to +105°C |
| Termination Interface: Style | Through Hole - Kinked Pin |
| Wire Insulation Diameter | 1.00mm (.039") max. |
| Wire Size AWG | 26, 28 |
| Wire/Cable Type | Ribbon Cable |

Electrical

| | |
|-------------------------------|------|
| Current - Maximum per Contact | 1.2A |
| Voltage - Maximum | 250V |

Solder Process Data

| | |
|------------------------------|------------------------|
| Lead-free Process Capability | Wave Capable (TH only) |
|------------------------------|------------------------|

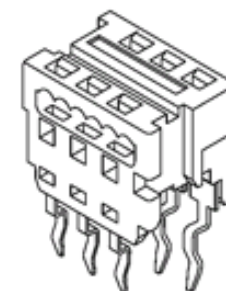


image - Reference only

Series

EU RoHS

ELV and RoHS Compliant

REACH SVHC

Contains SVHC: No

Halogen-Free

Status

Not Reviewed

China RoHS



Need more information on product environmental compliance?

Email productcompliance@molex.com
 For a multiple part number RoHS Certificate of Compliance, [click here](#)

Please visit the [Contact Us](#) section for any non-product compliance questions.

Search Parts in this Series

[90584Series](#)

Mates With

N/A

Application Tooling | FAQ

Tooling specifications and manuals are found by selecting the products below. Crimp Height Specifications are then contained in the Application Tooling Specification document.

Global

| | |
|---------------------|----------------------------|
| Description | Product # |
| Arbor Press Fixture | 0690201902 |

Material Info

Reference - Drawing Numbers

Product Specification

Sales Drawing

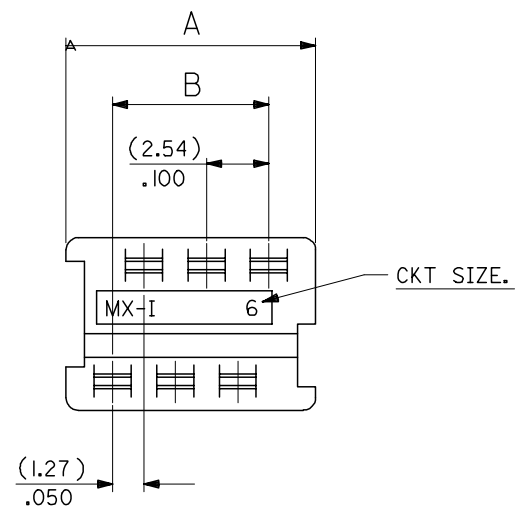
ES-99033-0002, PS-99020-0011

SDA-90584

This document was generated on 03/16/2010

PLEASE CHECK WWW.MOLEX.COM FOR LATEST PART INFORMATION

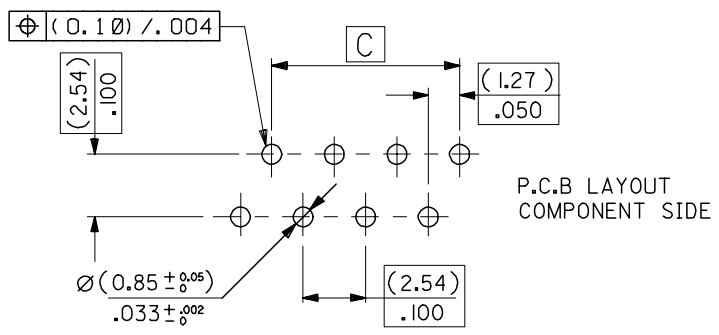
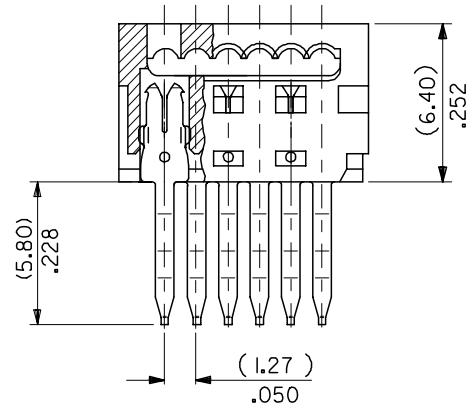
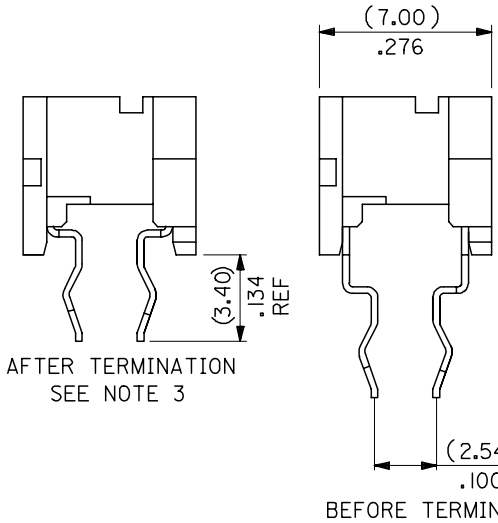
| | | | | | | | | |
|----------|----------|-------------|---------------|---------------|---------------|-----------|-----------------|---|
| 90584 | ***26 | 26 | (35.53)/1.399 | (31.75)/1.250 | (30.48)/1.200 | 14 | 98 | 7 |
| | ***24 | 24 | (32.99)/1.299 | (29.21)/1.150 | (27.94)/1.100 | 15 | 105 | |
| | ***22 | 22 | (30.45)/1.199 | (26.67)/1.050 | (25.40)/1.000 | 16 | 112 | |
| | ***20 | 20 | (27.91)/1.099 | (24.13)/.950 | (22.86)/.900 | 18 | 126 | |
| | ***18 | 18 | (25.37)/.999 | (21.59)/.850 | (20.32)/.800 | 20 | 140 | |
| | ***16 | 16 | (22.83)/.899 | (19.05)/.750 | (17.78)/.700 | 23 | 161 | |
| | ***14 | 14 | (20.29)/.799 | (16.51)/.650 | (15.24)/.600 | 26 | 182 | |
| | ***12 | 12 | (17.75)/.699 | (13.97)/.550 | (12.70)/.500 | 30 | 210 | |
| | ***10 | 10 | (15.21)/.599 | (11.43)/.450 | (10.16)/.400 | 34 | 238 | |
| | ***08 | 8 | (12.67)/.499 | (8.89)/.350 | (7.62)/.300 | 42 | 294 | |
| | ***06 | 6 | (10.13)/.399 | (6.35)/.250 | (5.08)/.200 | 54 | 378 | |
| 90584 | ***04 | 4 | (7.59)/.299 | (3.81)/.150 | (2.54)/.100 | 70 | 490 | 7 |
| PART NO. | CCT SIZE | DIMENSION A | DIMENSION B | DIMENSION C | TUBE QTY | STACK QTY | TUBES PER STACK | |



HOUSING
MATL. POLYESTER, RATED UL 94V-0, COLOUR WHITE.

IDT CONTACT
MATL : PHOSPHOR BRONZE (0.28)/.011 REF THICK.
PLATING : (2-4um) / 80-160u" TIN

- NOTES:**
1. APPL. CLASS TO DIN 40040 HME (-25°C/+100°C)
 2. SEE PRODUCT SPECIFICATION PS-99020-0011
 3. WIRE TERMINATION SPEC : ES-99033-0002
- 90584- * * * *
04 TO 26 = CKT SIZE.
3= NO CIRCUITS VOIDED.
4= CIRCUITS 4 & 5 VOIDED.
1= INDIVIDUAL TUBED ASSY
2= STACKED TUBED ASSY - SEE SHEET 2
9= NON STANDARD OPTION - SEE SHEET 3



| | | | | | | | | | |
|---|-------------------------------|--|-------------|----------------------|---|--------------|--|--|--|
| ADD VOIDED OPTION EC NO: E2005-1027 DRAWN: GMSWEN 2005/05/10 CHKD: DMORLARTY 2005/05/10 APPR: J DENNEY 2005/05/26 | QUALITY SYMBOLS ▽=0 ▽=0 | GENERAL TOLERANCES (UNLESS SPECIFIED) | | DIMENSION STYLE | SCALE | DESIGN UNITS | THIRD ANGLE PROJECTION | | |
| | | | | MM/IN | 5:1 | METRIC | | | |
| | | | | DRAWN BY | DATE | TITLE | | | |
| | | | | 4 PLACES ± --- ± --- | DMCNAMAR | 2003/09/01 | 1.27MM PF LOW PRO IDT BOARD-IN CONNECTOR | | |
| | | 3 PLACES ± --- ± --- | CHECKED BY | DATE | MOLEX INCORPORATED | | | | |
| | | 2 PLACES ± 0.10 ± --- | BMAGUIRE | 2003/09/01 | MATERIAL NO. DOCUMENT NO. SHEET NO. | | | | |
| | | 1 PLACE ± 0.20 ± --- | APPROVED BY | DATE | SDA-90584 1 OF 3 | | | | |
| | | ANGULAR ± 1/2° | MWILHITE | 2003/09/01 | THIS DRAWING CONTAINS INFORMATION THAT IS PROPRIETARY TO MOLEX INCORPORATED AND SHOULD NOT BE USED WITHOUT WRITTEN PERMISSION | | | | |
| | | DRAFT WHERE APPLICABLE MUST REMAIN WITHIN DIMENSIONS | | SEE CHART | | | | | |

10 9 8 7 6 5 4 3 2 1

F F

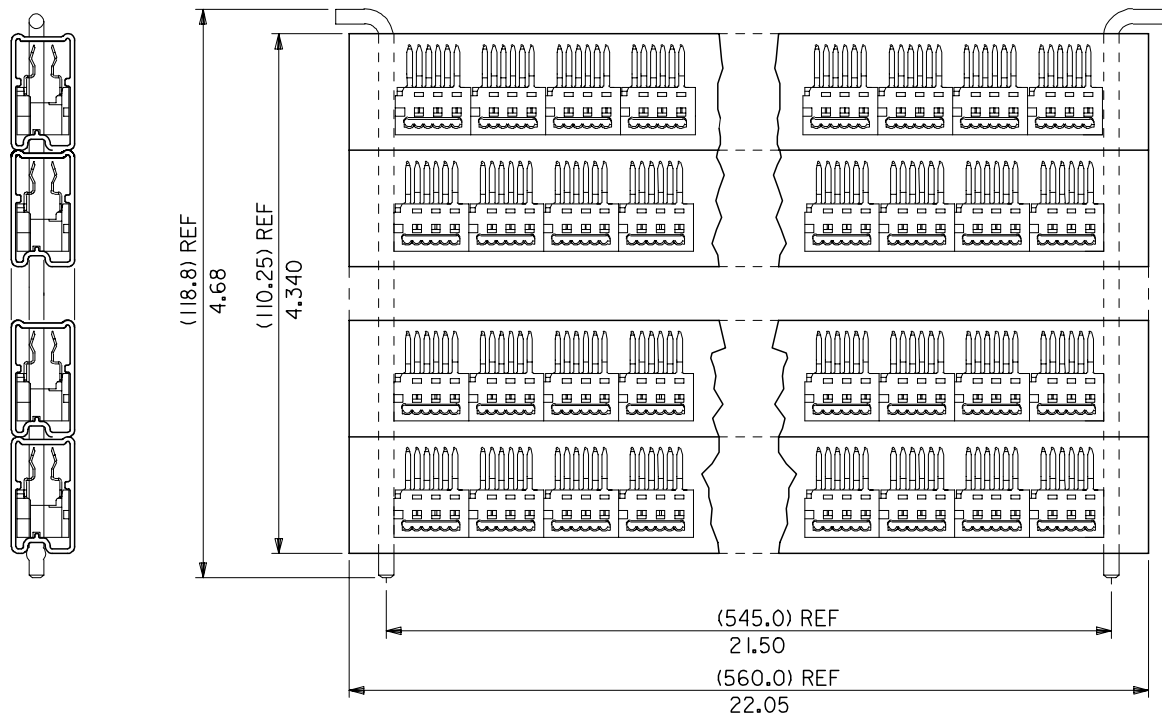
E E

D D

C C

B B

A A



STACKED TUBED ASSEMBLY

| | | | | | | | | | |
|---|--------------------------------|--|-----------------------|---|---------------------|--|-------------------------------|---------------------|--|
| REVISION UPDATE EC NO: E2005-1027 DRAWN:GMSWEEN 2005/05/10 CHKD:DMORIARTY 2005/05/10 APPR: JDENNEHY 2005/05/26 | QUALITY SYMBOLS | GENERAL TOLERANCES (UNLESS SPECIFIED) | | DIMENSION STYLE MM/IN | SCALE NTS | DESIGN UNITS METRIC | THIRD ANGLE PROJECTION | | |
| | | 4 PLACES ± --- ± --- | 3 PLACES ± --- ± .010 | DRAWN BY PW | DATE 1994/02/25 | TITLE 1.27MM PF LOW PRO IDT BOARD-IN CONNECTOR | | | |
| | | 2 PLACES ± 0.25 ± --- | 1 PLACE ± --- ± --- | CHECKED BY DMORIARTY | DATE 2005/05/06 | MOLEX INCORPORATED | | | |
| | | ANGULAR ± 2 ° | | APPROVED BY JDENNEHY | DATE 2005/05/10 | MATERIAL NO. SEE SHEET 1 | DOCUMENT NO. SDA-90584 | SHEET NO. 2 OF 3 | |
| DRAFT WHERE APPLICABLE MUST REMAIN WITHIN DIMENSIONS | | SIZE A3 | | THIS DRAWING CONTAINS INFORMATION THAT IS PROPRIETARY TO MOLEX INCORPORATED AND SHOULD NOT BE USED WITHOUT WRITTEN PERMISSION | | | | | |

9 8 7 6 5 4 3 2 1