

PLEASE CHECK WWW.MOLEX.COM FOR LATEST PART INFORMATION

Part Number: [0743204804](#)
Status: **Active**
Description: MicroCross™ DVI-D Digital Visual Interface, PCB Receptacle, Polyester (PCT), Panel Mount, Through Hole, Right Angle, Gold (Au) Flash, 2.34mm (.092") PC Tail Length, Lead Free, Screw Hole, 4-40 Thread, 24 Circuits

Documents:

[Drawing \(PDF\)](#) [RoHS Certificate of Compliance \(PDF\)](#)
[Product Specification PS-74320-001 \(PDF\)](#)

Agency Certification

UL E29179

General

Product Family	I/O Connectors
Series	74320
Application	Wire-to-Board
Comments	DDWG (Digital Display Working Group) Standard
Component Type	Receptacle
Product Name	MicroCross™DVI
Type	N/A

Physical

Boot Color	N/A
Circuits (Loaded)	24
Circuits (maximum)	24
Color - Resin	Natural
Durability (mating cycles max)	100
Flammability	94V-0
Gender	Receptacle
Keying to Mating Part	Yes
Lock to Mating Part	Yes
Material - Metal	Copper Alloy
Material - Plating Mating	Gold
Material - Plating Termination	Tin
Number of Rows	3
Orientation	Right Angle
PC Tail Length (in)	0.092 In
PC Tail Length (mm)	2.34 mm
PCB Locator	Yes
PCB Retention	Yes
Packaging Type	Tray
Panel Mount	Yes
Pitch - Mating Interface (in)	0.075 In
Pitch - Mating Interface (mm)	1.91 mm
Pitch - Term. Interface (in)	0.075 In
Pitch - Term. Interface (mm)	1.91 mm
Plating min: Mating (µin)	2
Plating min: Mating (µm)	0.05
Plating min: Termination (µin)	100
Plating min: Termination (µm)	2.50
Polarized to Mating Part	Yes
Polarized to PCB	Yes
Surface Mount Compatible (SMC)	No
Temperature Range - Operating	-20°C to +85°C
Termination Interface: Style	Through Hole

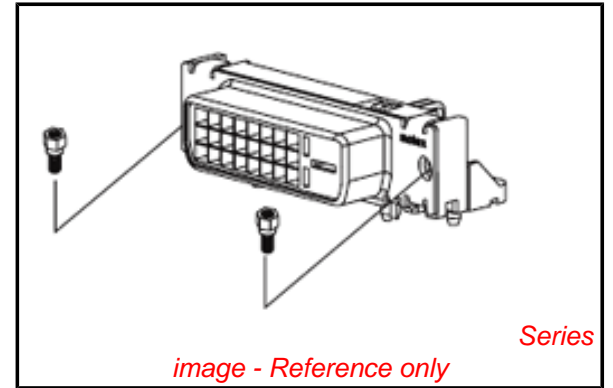


image - Reference only

EU RoHS

**ELV and RoHS
Compliant**
REACH SVHC
 Not Reviewed
**Halogen-Free
Status**
 Not Reviewed

China RoHS



**Need more information on product
environmental compliance?**

Email productcompliance@molex.com
 For a multiple part number RoHS Certificate of Compliance, [click here](#)

Please visit the [Contact Us](#) section for any non-product compliance questions.

Search Parts in this Series

[74320Series](#)

Mates With

[88744](#) , [74323](#)

Use With

[71781](#) Panel Mount Hex Screw Kit

Waterproof / Dustproof	No
Wire Size AWG	N/A
Electrical	
Current - Maximum per Contact	3A
Grounding to Panel	Yes
Shield Type	Full Shield
Shielded	Yes
Voltage - Maximum	40V AC (RMS)

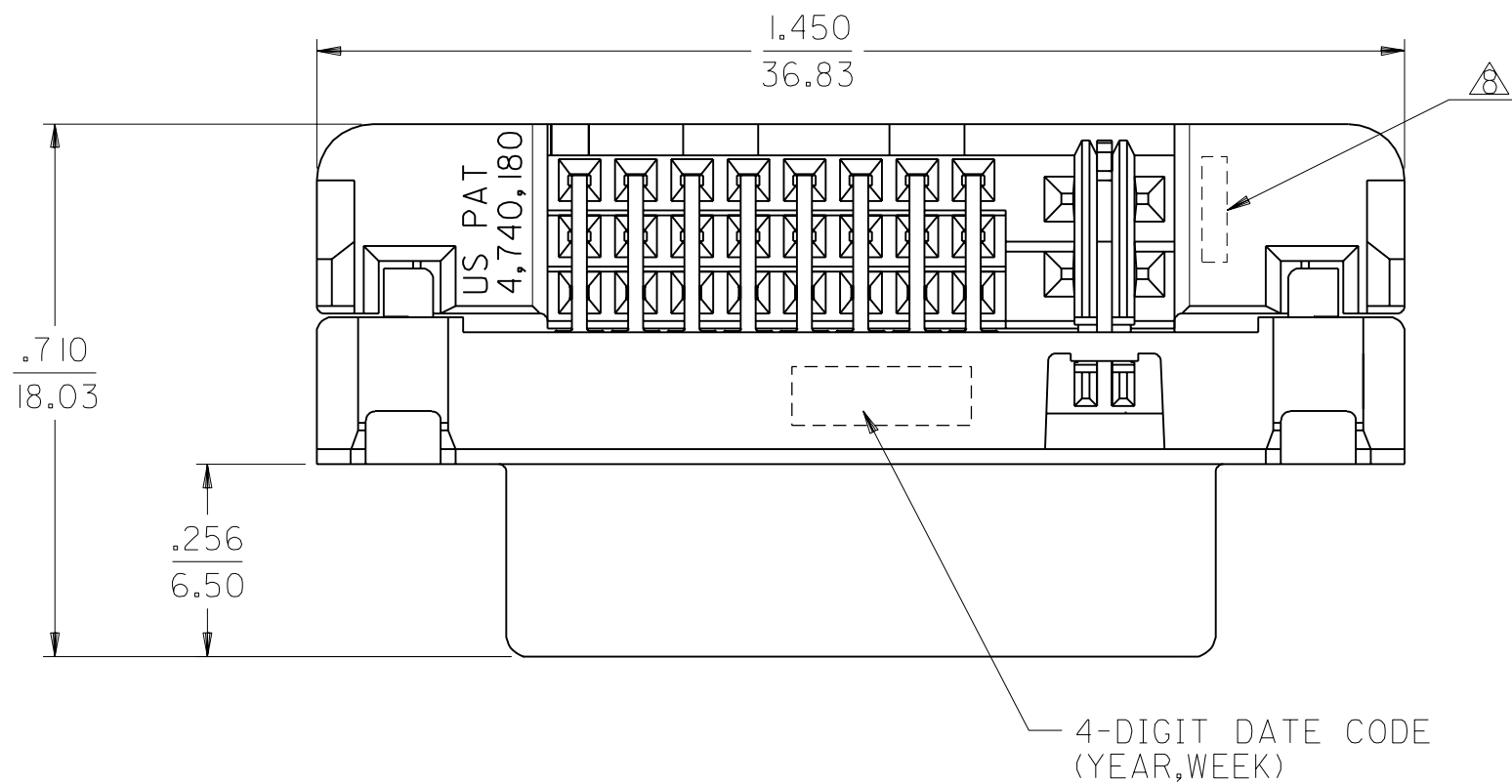
Material Info

Reference - Drawing Numbers

Product Specification	PS-74320-001, RPS-74320-014, RPS-74320-015, RPS-74320-018
Sales Drawing	SD-74320-045

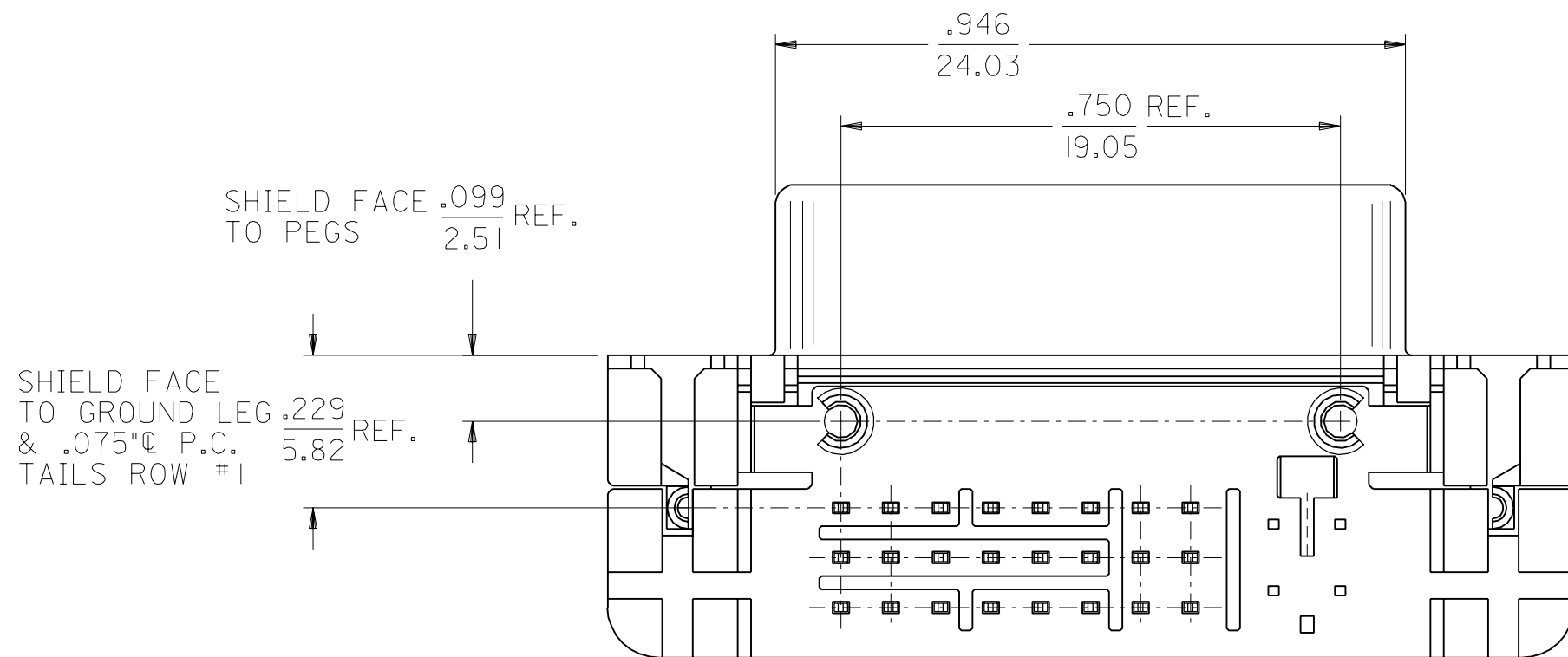
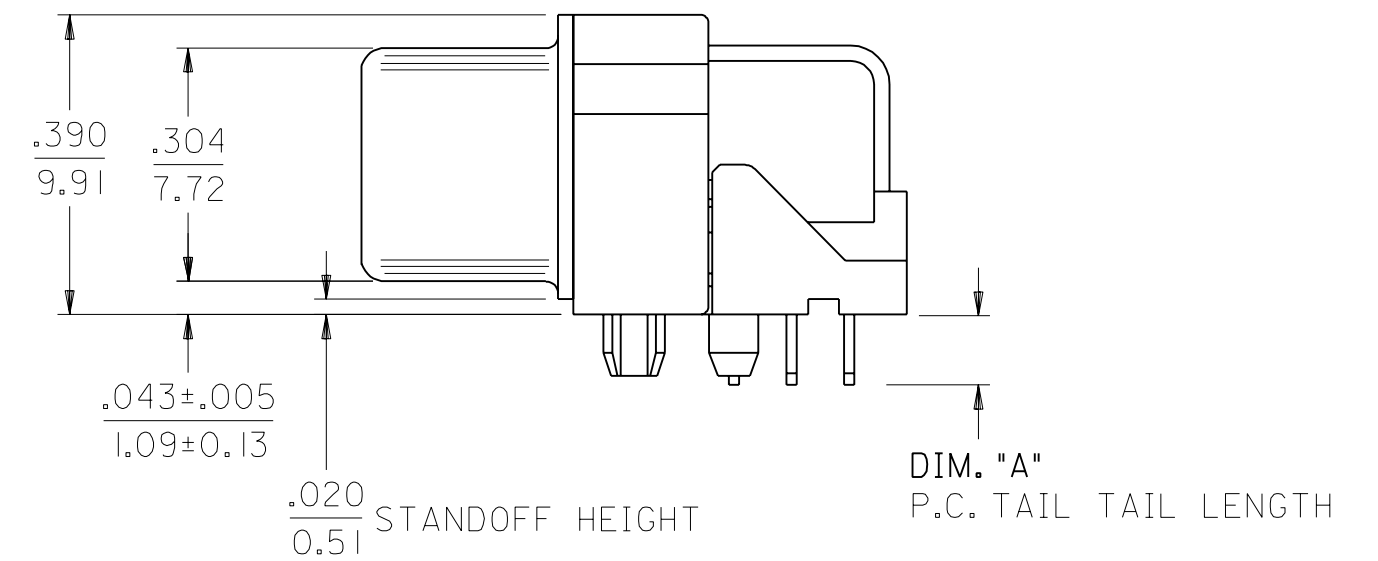
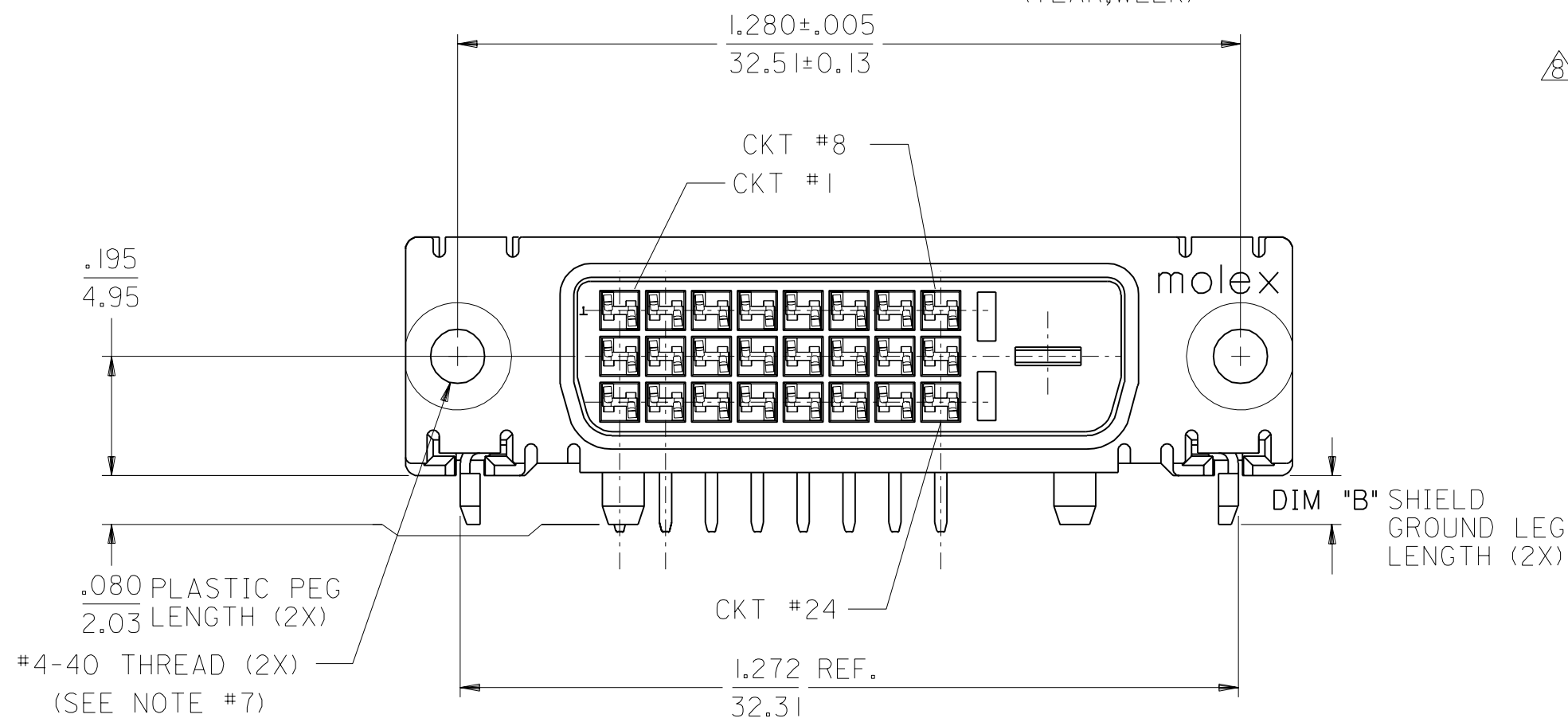
This document was generated on 05/10/2010

PLEASE CHECK WWW.MOLEX.COM FOR LATEST PART INFORMATION



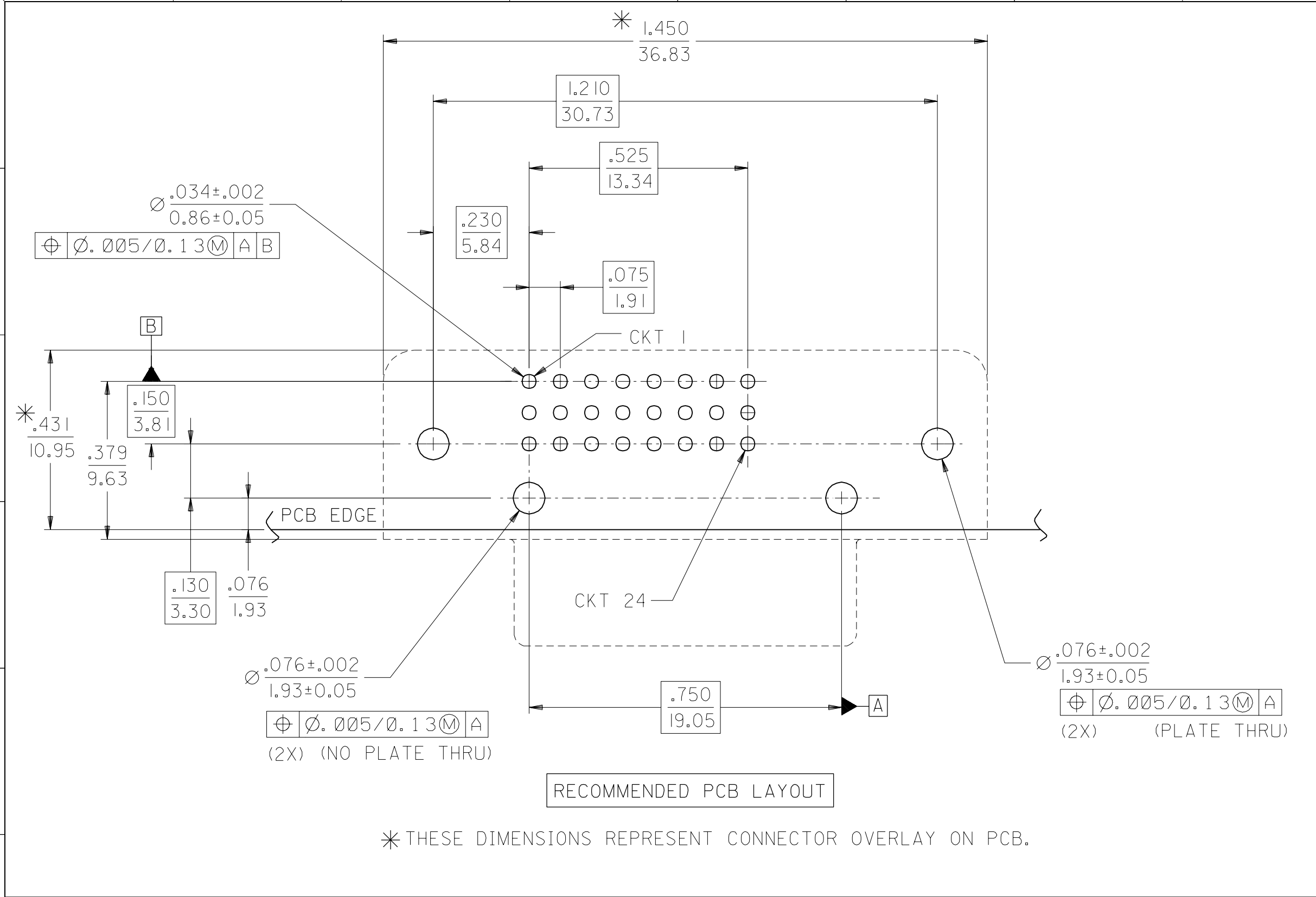
NOTES:

- MATERIALS:
SHIELD -- DEEP DRAW STEEL.
HOUSING -- GLASS FILLED POLYMER, NATURAL (WHITE), UL 94v-0.
TAIL ALIGNER -- GLASS FILLED POLYMER, NATURAL (WHITE), UL 94v-0.
CONTACTS -- COPPER ALLOY.
MICROCROSS GROUND -- COPPER ALLOY.
 - PLATING: SEE SHEET 2
 - PRODUCT CONFORMS TO MOLEX PRODUCT SPECIFICATION NUMBER PS-74320-001. REFER TO THIS SPECIFICATION FOR SPACING ON A P.C.B. OF TWO OR MORE CONNECTORS WHEN USING A CABLE OR AN ADAPTER ASSEMBLY.
 - SEE SHEET 2 FOR RECOMMENDED PANEL CUT-OUT AND P.C.B. LAYOUT.
 - PARTS WILL BE PACKAGED IN TRAYS PER PK-74320-010
 - PRODUCT CONFORMS TO DDWG DVI SPECIFICATION. REFER TO THIS SPECIFICATION FOR CONNECTOR MATING DIMENSIONS.
 - RECOMMENDED MOUNTING HARDWARE IS MOLEX P/N 71781-0001 OR 88780-6066 AND 72007-0300.
REFER TO PRODUCT SPECIFICATION NUMBER PS-74320-001 FOR THE APPLICATION TORQUE REQUIREMENT FOR ASSEMBLING MOUNTING HARDWARE.
- ⚠ CAVITY NO. AND MANUFACTURING PLANT CODE.



PART NUMBER	PLATING OPTION	DIM "A"	DIM "B"
74320-4800	1	.092/2.34	.080±.020
74320-4801	1	.050/1.27	2.03±0.51
74320-4803	1	.123/3.12	.110/2.79
74320-4804	2	.092/2.34	.080±.020
74320-4805	2	.050/1.27	2.03±0.51
74320-4806	2	.110/2.79	.110/2.79
74320-4807	2	.123/3.12	.110/2.79

MODIFICATION EC NO. SH2004-0130 DRWN: DXUE 04/03/05 CHK: HARVEY 04/03/11 APPR: SHUANG 04/03/12	QUALITY SYMBOLS MAJOR = 0 CRITICAL = 0	GENERAL TOLERANCES: (UNLESS SPECIFIED)		SCALE 4 : 1	DESIGN UNITS <input type="checkbox"/> mm <input checked="" type="checkbox"/> INCH	THIRD ANGLE PROJECTION	DIMENSIONS: <input type="checkbox"/> mm <input checked="" type="checkbox"/> INCH <input type="checkbox"/> mm ONLY <input type="checkbox"/> INCH ONLY	SHT REV	
		4 PLACES ±0. --- ±. --- 3 PLACES ±0. --- ±.010 2 PLACES ±0.25 ±. --- 1 PLACE ±0. --- ±. ---		DRAWN BY & DATE GJBAO 02/12/31		TITLE: DVI - D RIGHT ANGLE RECEPTACLE CONNECTOR LEAD FREE PLATING			
		ANGULAR: ± 1/2°		CHECKED BY & DATE PYIN 02/12/31		MOLEX INCORPORATED			
		DRAFT WHERE APPLICABLE MUST REMAIN WITHIN DIMENSIONS		APPROVED BY & DATE SHUANG 02/12/31		CAD FILENAME SD-74320-045.S01		MATERIAL NO. SEE CHART DRAWING NO. SD-74320-045	
THIS DRAWING CONTAINS INFORMATION THAT IS PROPRIETARY TO MOLEX INCORPORATED AND SHOULD NOT BE USED WITHOUT WRITTEN PERMISSION.								SIZE C	



RECOMMENDED PCB LAYOUT

*THESE DIMENSIONS REPRESENT CONNECTOR OVERLAY ON PCB.

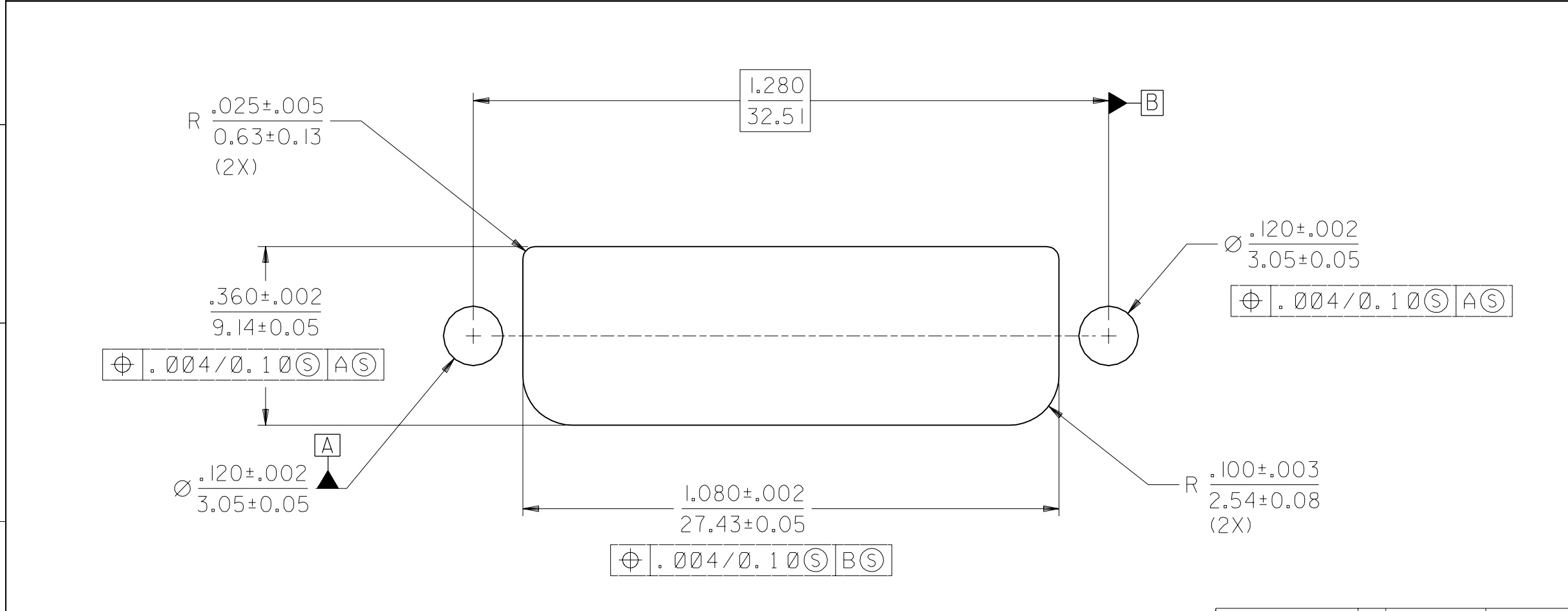
PLATING OPTIONS:

PLATING OPTION #1:

OUTER SHIELD -- 150u"/(3.75um) MIN. BRIGHT TIN OVER 50u"/(1.27um) MIN. NICKEL OVER COPPER FLASH.
 .075"/(1.91mm) CONTACTS -- 30u"/(0.75um) MIN. SELECT GOLD AND 100u"/(2.50um) MIN. SELECT PURE TIN OVER 50u"/(1.27um) MIN. NICKEL OVERALL.

PLATING OPTION #2:

OUTER SHIELD -- 150u"/(3.75um) MIN. BRIGHT TIN OVER 50u"/(1.27um) MIN. NICKEL OVER COPPER FLASH.
 .075"/(1.91mm) CONTACTS -- SELECT GOLD FLASH AND 100u"/(2.50um) MIN. SELECT PURE TIN OVER 50u"/(1.27um) MIN. NICKEL OVERALL.



RECOMMENDED PANEL CUT-OUT
 PANEL THICKNESS: .030" - .040"

MODIFICATION	EC NO. SH2004-0130	QUALITY SYMBOLS	GENERAL TOLERANCES: (UNLESS SPECIFIED)	SCALE 4 : 1	DESIGN UNITS <input type="checkbox"/> mm <input checked="" type="checkbox"/> INCH	THIRD ANGLE PROJECTION <input checked="" type="checkbox"/>	DIMENSIONS: <input type="checkbox"/> mm ONLY <input checked="" type="checkbox"/> INCH <input type="checkbox"/> mm ONLY	SHT	REV
	DRWN: DXUE 04/03/05	MAJOR = 0	4 PLACES ±0.--- ±.---	4 PLACES ±0.--- ±.---	DRAWN BY & DATE GJBAO 02/12/31	TITLE: DVI - D RIGHT ANGLE RECEPTACLE CONNECTOR LEAD FREE PLATING			
	CHK: HARVEY 04/03/11	CRITICAL = 0	3 PLACES ±0.--- ±.010	3 PLACES ±0.--- ±.010	CHECKED BY & DATE PYIN 02/12/31				
	APPR: SHUANG 04/03/12		2 PLACES ±0.25 ±.---	2 PLACES ±0.25 ±.---	APPROVED BY & DATE SHUANG 02/12/31				
			1 PLACE ±0.--- ±.---	1 PLACE ±0.--- ±.---	ANGULAR: ± 1/2°	CAD FILENAME SD-74320-045.S02	MATERIAL NO. SEE SHEET 1	DRAWING NO. SD-74320-045	SHEET NO. 2
					DRAFT WHERE APPLICABLE MUST REMAIN WITHIN DIMENSIONS	THIS DRAWING CONTAINS INFORMATION THAT IS PROPRIETARY TO MOLEX INCORPORATED AND SHOULD NOT BE USED WITHOUT WRITTEN PERMISSION.			SIZE C