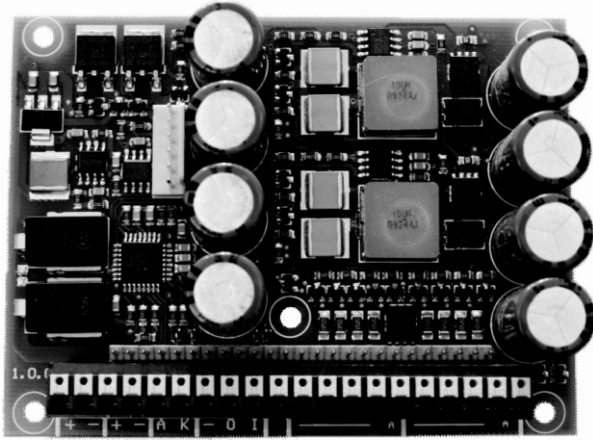


## 2 x 24 W LED Driver Board Slight for VLSL30, VLSL31



22075

### FEATURES

- 10.5 V to 14 V<sub>IN</sub>, output module power up to 56 W
- Reverse polarity protection
- Boost regulated constant current sources (up to 8 channel, 6 LEDs)
- Closed loop regulated current control, automatic regulated constant current if single string gets open circuit
- 12 V<sub>DC</sub> input with undervoltage and overvoltage control, load dump protected
- Operating temperature: - 40 °C to + 105 °C
- Ambient light sensor for automatic dimming (25 %, 50 %, 100 %), or free programmable on request
- PWM dimming via RFC/RTC controller (adaptable unit with RF antenna)

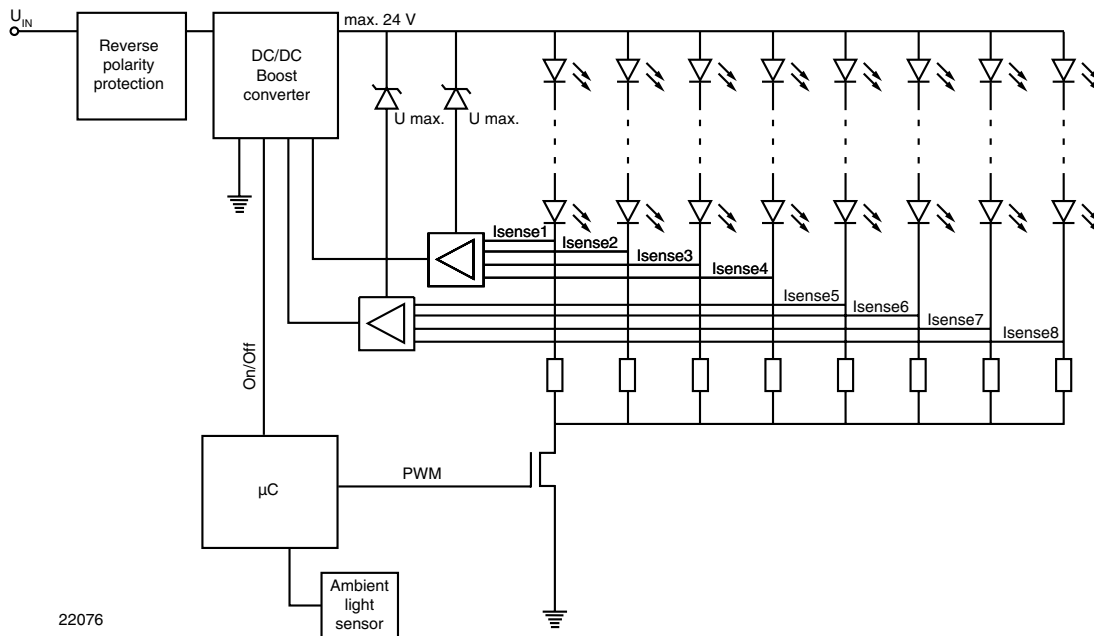
### DESCRIPTION

Using automotive qualified components, the 2 x 24 W LED driver board slight provides a highly reliable and efficient driving solution.

### PARTS TABLE

PART	for
VLSL3-DU	VLSL30 and VLSL31

### TOPOLOGY



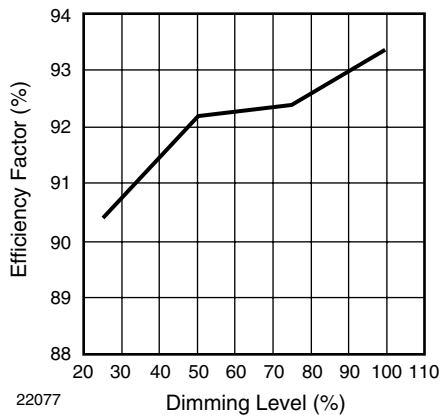
22076

# VL3-DU



Vishay Semiconductors 2 x 24 W LED Driver Board Slight for VL30, VL31

## EFFICIENCY



## TERMINAL PLAN

