



SPECIFICATION

PART NO. 101110FTAY0M430ZA

DESCRIPTION. RJ45 1X1 TAB DOWN W/O LED & TRANSFORMER

CUSTOMER. _____

REV.: P0

REV. DATE : 2006 / Aug / 23

| | APPROVED | CHECKED | PREPARED |
|------|------------|-----------|------------|
| NAME | Kenny Chen | Bryant Tu | Nicole Lee |

實盈股份有限公司

SUYIN CORPORATION

TAIWAN HEAD OFFICE :

NO. 377.Fu-The First Re., His-Chih,
Taipei Hsien, Taiwan, R.O.C.
TEL : (886) 2-2694-7697 (Rep)
FAX : (886) 2-2694-8407 2694-8047
E-mail : Lesley@suyin.com.tw

SUYIN ELECTRONICS (DONGGUAN) CO., LTD.

Suyin Road, San Zhong,
Qing Xi Town, Dongguan City,
TEL : (886) 2-2694-7697 (Rep)
FAX : (886) 2-2694-8407 2694-8047
E-mail : kevin@suyin.com.tw

HONG KONG BRANCH OFFICE :

TEL : (852) 2-559-6017
FAX : (852) 2-5596461
E-mail : suyin@netvigtor.com

KOREA BRANCH OFFICE :

TEL : (82) 2-559-6017
FAX : (82) 2-5596461
E-mail : yang@sdint.co.kr

GERMANY BRANCH OFFICE :

TEL : (+49) 0-8561/238-8880
FAX : (+49) 0-8561/238/8888
E-mail : mail@suyin.de

JAPAN BRANCH OFFICE :

TEL : (81) 45-266-2488
FAX : (81) 45-266-2489
E-mail : kanashiro@suyinjapan.com

SINGAPOER BRANCH OFFICE :

90 Lorong 23 Geylang #02-01/02/03 Yong
DA Industrial Building Singapore 388393
TEL : (65) 6256-6481
FAX : (65) 6256-6483
E-mail : alice@suyin.com.sg

U.S.A BRANCH OFFICE :

TEL : (1) 714-750-0378
FAX : (1) 714-750-0379
E-mail : steven@suyinusa.com

ISRAEL BRANCH OFFICE :

TEL : (1) 714-750-0378
FAX : (1) 714-750-0379
E-mail : sales@suyin.co.il

SUYIN CORPORATION

SPECIFICATION

| | |
|--|--|
| DOCUMENT NO.: 101110FTAY0M430ZA SUYIN P/N. : 101110FTAY0M430ZA CUSTOMER P/N. : | DESC. : RJ45 1X1 TAB DOWN W/O LED & TRANSFORMER |
|--|--|

1 P/N SPECIFICATION

SUYIN P/N: **101 110 F** **T** **AY** **0** **M4** **30** **ZA**
A B C D E

A. Transformer Speed: **10/100/1000 Base-T**
 LED Polarity: **Normal**

B. Schematic: Refers to section 5.1

C. LED Color Code:

| w/o LED: 0 | | RIGHT LED | | | | | |
|---------------|--------|-----------|-------|--------|-----|-----|-----|
| | | YELLOW | GREEN | ORANGE | G/O | G/Y | O/G |
| LEFT LED | YELLOW | 1 | 7 | D | K | N | R |
| | GREEN | 2 | 8 | E | L | P | S |
| | ORANGE | 3 | 9 | F | M | Q | T |
| | G/O | 4 | A | G | / | / | / |
| | G/Y | 5 | B | H | / | / | / |
| | O/G | 6 | C | J | / | / | / |

D. RJ Contact Plating:

- M2: Gold Flash selected Gold plating over 50 u" min. Nickel
- M3: 10u" selected Gold plating over 50 u" min. Nickel
- M4: 15u" selected Gold plating over 50 u" min. Nickel
- M5: 30u" selected Gold plating over 50 u" min. Nickel
- M6: 50u" selected Gold plating over 50 u" min. Nickel.

E. Mechanical Series: Refers to section 2.1~2.2

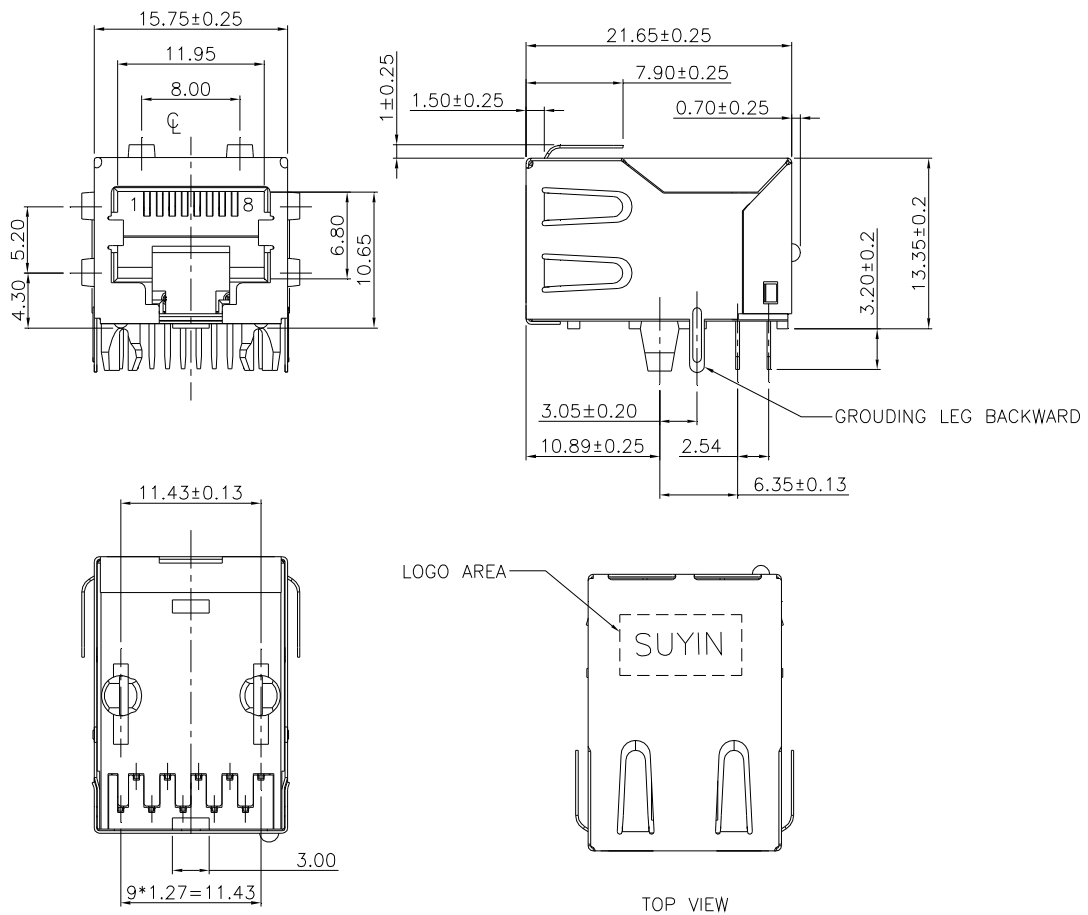
SUYIN CORPORATION

SPECIFICATION

| | |
|--|--|
| DOCUMENT NO.: 101110FTAY0M430ZA SUYIN P/N. : 101110FTAY0M430ZA CUSTOMER P/N. : | DESC. : RJ45 1X1 TAB DOWN W/O LED & TRANSFORMER |
|--|--|

2 MECHANICAL DIMENSIONS

2-1 Dimensions



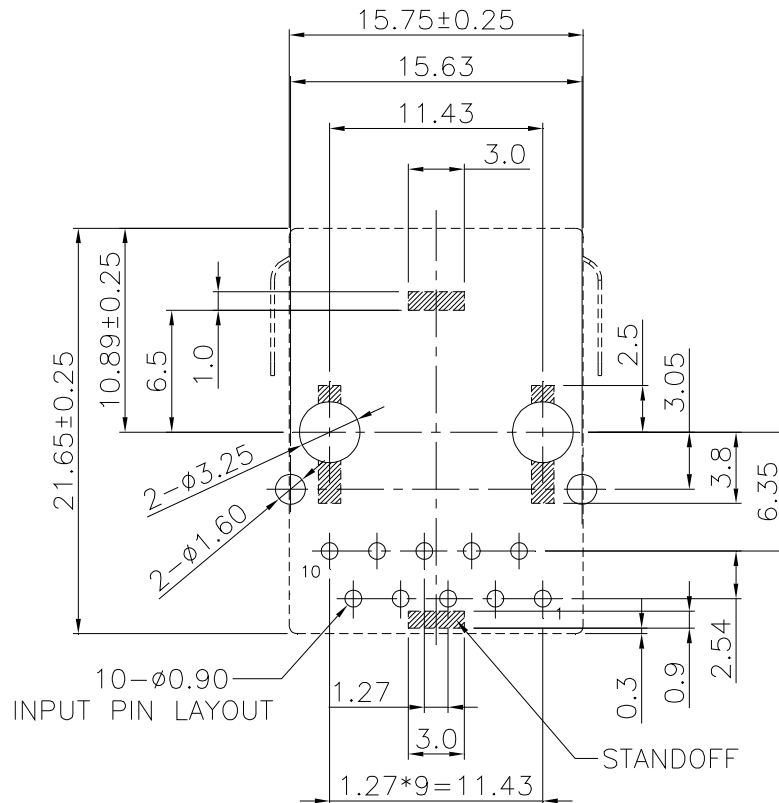
General Tolerance : 0~10mm: ±0.10
 10~30mm: ±0.20
 30~ mm: ±0.30

SUYIN CORPORATION

SPECIFICATION

| | |
|--|--|
| DOCUMENT NO.: 101110FTAY0M430ZA SUYIN P/N. : 101110FTAY0M430ZA CUSTOMER P/N. : | DESC. : RJ45 1X1 TAB DOWN W/O LED & TRANSFORMER |
|--|--|

2-2 PCB Layout



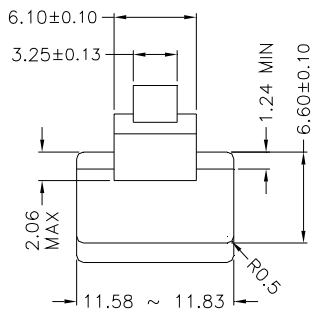
RECOMMENDED PCB LAYOUT
COMPONENT SIDE
 ALL DIMENSION TOLERANCE ARE $\pm 0.05\text{mm}$

SUYIN CORPORATION

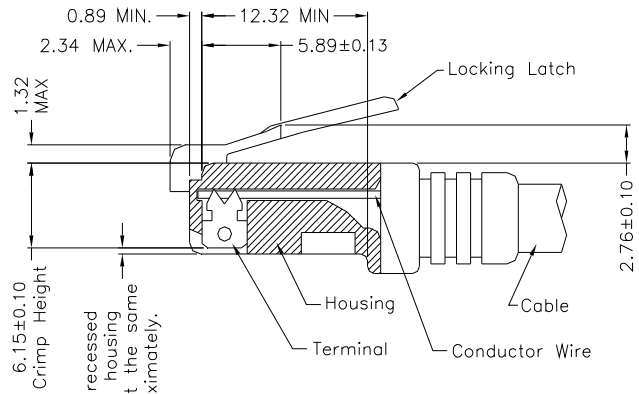
SPECIFICATION

| | |
|---|--|
| DOCUMENT NO.: 101110FTAY0M430ZA SUYIN P/N. : 101110FTAY0M430ZA CUSTOMER P/N.: | DESC. : RJ45 1X1 TAB DOWN W/O LED & TRANSFORMER |
|---|--|

3 RECOMMEND RJ PLUG SPECIFICATION

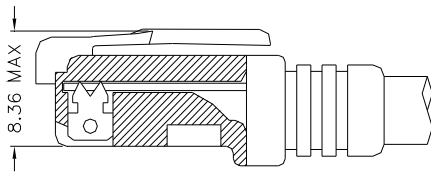


- * There must be no damage to housing or locking latch. There must be no nicks or cuts in cable.
- * Durability : 750 cycles generally



All contacts recessed below top of housing and must be at the same height approximately.

FOLLOW SPECIFICATION : FCC, PART 68,
 SUBPART F FIGURE 68.500 (C)(2)(i)
 AND IEC 603-7 FIGURE 23 & 24



FOLLOW SPECIFICATION : FCC, PART 68, SUBPART F
 FIGURE 68.500 (C)(2)(ii)

SUYIN CORPORATION

SPECIFICATION

| | |
|---|--|
| DOCUMENT NO.: 101110FTAY0M430ZA SUYIN P/N. : 101110FTAY0M430ZA CUSTOMER P/N.: | DESC. : RJ45 1X1 TAB DOWN W/O LED & TRANSFORMER |
|---|--|

4 MATERIAL SPECIFICATION

4-1 RoHS Compliance per EU Directive 2002/95/EC

4-2 Plastic Housings:

A. Housings: Nylon9T, UL 94V-0, Black

4-3 Terminals:

A. RJ Contacts: Phosphor Bronze

B. RJ Solder Pins: Brass

C. Transformer Housing Solder Pins: Brass

4-4 Shields:

A. Shield: Stainless Steel

4-5 Plating:

A. RJ Contacts: As P/N specified

B. RJ Solder Pins: 100u" min. Matte Tin over 50u" Nickel under-plating

C. Transformer Housing Solder Pins: 100u" min. Matte Tin over 50u" Nickel under-plating

D. Shield Grounding Legs: Pre-soldering, Sn/ Ag/ Cu (96.5/ 3/ 0.5)

4-6 PCB: FR-4, Two Layer PCB

4-7 Internal Solder Joints: Sn/ Ag/ Cu (96.5/ 3/ 0.5)

SUYIN CORPORATION

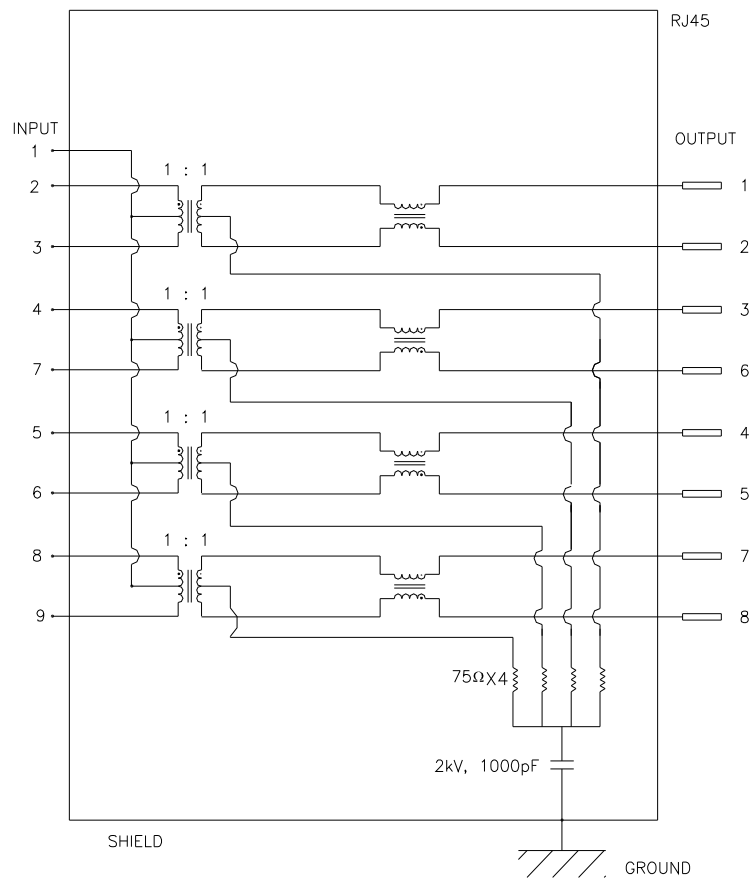
SPECIFICATION

DOCUMENT NO.: 101110FTAY0M430ZA
SUYIN P/N. : 101110FTAY0M430ZA
CUSTOMER P/N. :

DESC. : RJ45 1X1 TAB DOWN W/O
LED & TRANSFORMER

5 ELECTRICAL CHARACTERISTICS

5-1 Schematic



SUYIN CORPORATION

SPECIFICATION

| | |
|--|--|
| DOCUMENT NO.: 101110FTAY0M430ZA SUYIN P/N. : 101110FTAY0M430ZA CUSTOMER P/N. : | DESC. : RJ45 1X1 TAB DOWN W/O LED & TRANSFORMER |
|--|--|

5-2 Transmitter & Receiver Filter:

| Insertion Loss (dB MAX) | Return Loss at 100Ω (dB MIN) | | | |
|----------------------------|---------------------------------|----------|----------|-----------|
| 1~125MHz | 1~30MHz | 30~60MHz | 60~80MHz | 80~100MHz |
| -1.2 | -18 | -16 | -12 | -10 |

5-3 Common Mode Rejection @ 1~100 MHz: -30dB MIN

5-4 Cross Talk @ 1~100 MHz: -25dB MIN

5-5 Inductance @ 100KHz/ 0.1V, 8mA DC BIAS: 350μH MIN

5-6 HiPot Test: 1500Vrms, 60sec

6 OPERATING & TEST REQUIRMENTS

Product is designed to meet electrical, mechanical and environmental performance requirements specified below. All tests are performed at ambient environmental conditions per MIL-STD-1344A and EIA-364 unless otherwise specified

6-1 Operating Temperature Range: 0°C TO +70°C

6-2 Storage Temperature: -40°C to 85°C

6-3 Ratings:

1. Insulation Resistance: 500M Ohm (MIN)
2. Dielectric Withstanding Voltage: 1000 VAC

SUYIN CORPORATION

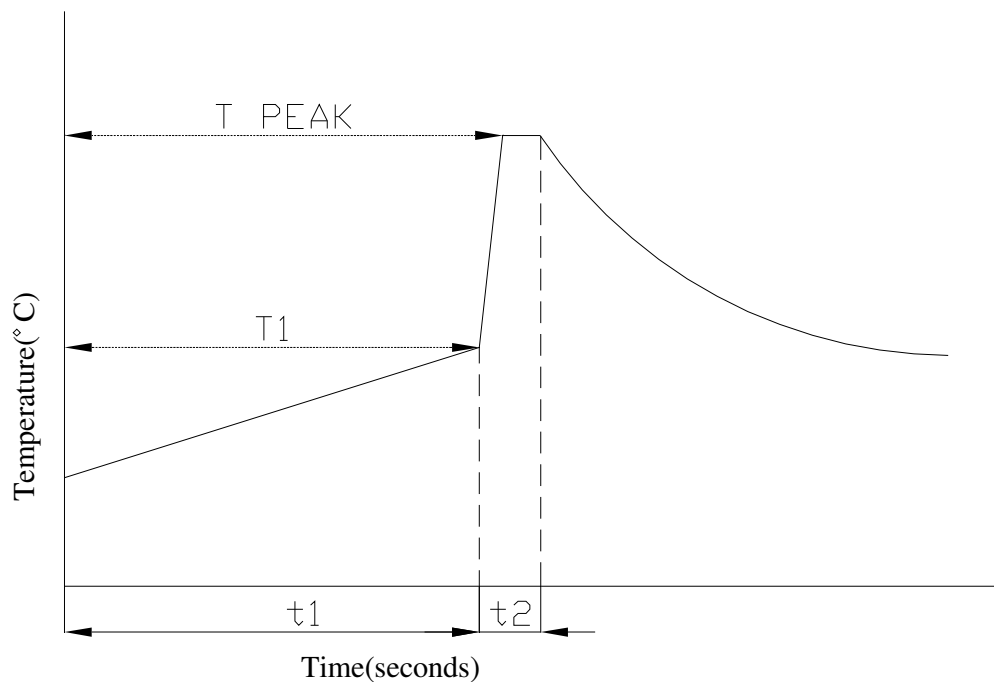
SPECIFICATION

| | |
|--|--|
| DOCUMENT NO.: 101110FTAY0M430ZA SUYIN P/N. : 101110FTAY0M430ZA CUSTOMER P/N. : | DESC. : RJ45 1X1 TAB DOWN W/O LED & TRANSFORMER |
|--|--|

7 STORAGE REQUIRMENTS

All products shall be packaged against any physical damage and corrosion during shipment or in storage.

8 RECOMMEND WAVE SOLDERING PROFILE



| PARAMETER | REFERENCE | LEAD FREE SPECIFICATION |
|------------------------------|-----------|-------------------------|
| PREHEAT TEMPERATURE GRADIENT | | +1~4°C/sec |
| PREHEAT TIME | t_1 | 2~3 MIN |
| PREHEAT TEMPERATURE | T_1 | >100°C |
| SOLDER POT TEMPERATURE | T PEAK | 260°C ±5°C |
| DWELL TIME | t_2 | 3.5 SEC |
| PEAK BOARD TOP TEMPERATURE | | 190°C |
| COOLING TEMPERATURE GRADIENT | | -6°C/SEC MAX. |