

PLEASE CHECK WWW.MOLEX.COM FOR LATEST PART INFORMATION

Part Number: [0472662001](#)

Status: **Active**

Overview: high definition multimedia interface hdmi

Description: 0.50mm (.020") Pitch HDMI* Receptacle, Right Angle, Black, Through Hole Shell Tab Length 1.90mm (.075"), 0.76µm (30µ") Gold (Au) Selective Plating, Matt Tin Plated Shell, without Flange, Tape on Reel, Lead Free

Documents:

[3D Model](#)

[Product Specification PS-47152-001 \(PDF\)](#)

[Drawing \(PDF\)](#)

[RoHS Certificate of Compliance \(PDF\)](#)

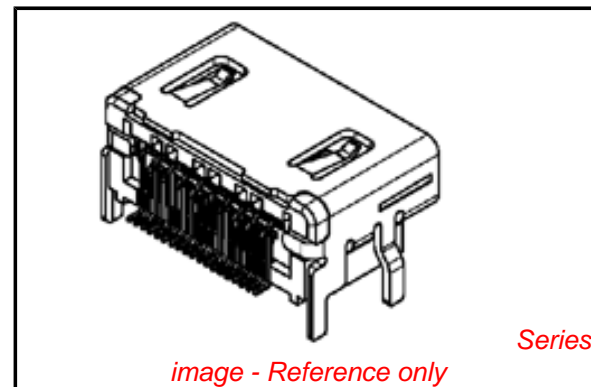
General

Product Family	I/O Connectors
Series	47266
Application	Wire-to-Board
Comments	Without Flange
Component Type	Receptacle
Overview	<u>high definition multimedia interface hdmi</u>
Product Name	HDMI
Type	N/A

Physical

Boot Color	N/A
Circuits (Loaded)	19
Circuits (maximum)	19
Color - Resin	Black
Gender	Male
Keying to Mating Part	Yes
Lock to Mating Part	Yes
Material - Metal	Copper Alloy
Material - Plating Mating	Gold
Material - Plating Termination	Tin-Bismuth
Material - Resin	High Temperature Thermoplastic
Number of Rows	2
Orientation	Right Angle
PCB Locator	No
PCB Retention	Yes
Packaging Type	Embossed Tape on Reel
Panel Mount	No
Pitch - Mating Interface (in)	0.020 In
Pitch - Mating Interface (mm)	0.50 mm
Pitch - Term. Interface (in)	0.020 In
Pitch - Term. Interface (mm)	0.50 mm
Plating min: Mating (µin)	30
Plating min: Mating (µm)	0.76
Plating min: Termination (µin)	40
Plating min: Termination (µm)	1
Polarized to Mating Part	Yes
Polarized to PCB	Yes
Ports	1
Temperature Range - Operating	-20°C to +85°C
Termination Interface: Style	Surface Mount
Waterproof / Dustproof	No
Wire Size AWG	N/A

Electrical



EU RoHS

**ELV and RoHS
Compliant**
**REACH SVHC
Not Reviewed**
**Halogen-Free
Status
Not Reviewed**

China RoHS



**Need more information on product
environmental compliance?**

Email productcompliance@molex.com
For a multiple part number RoHS Certificate of
Compliance, [click here](#)

Please visit the [Contact Us](#) section for any
non-product compliance questions.

Search Parts in this Series

[47266Series](#)

Mates With

[88768](#) HDMI cable assembly, [88764](#) HDMI
Adapter, [88767](#) HDMI Adapter

Current - Maximum per Contact	0.5A
Shield Type	Full Shield
Shielded	Yes
Voltage - Maximum	40V DC

Material Info

Reference - Drawing Numbers

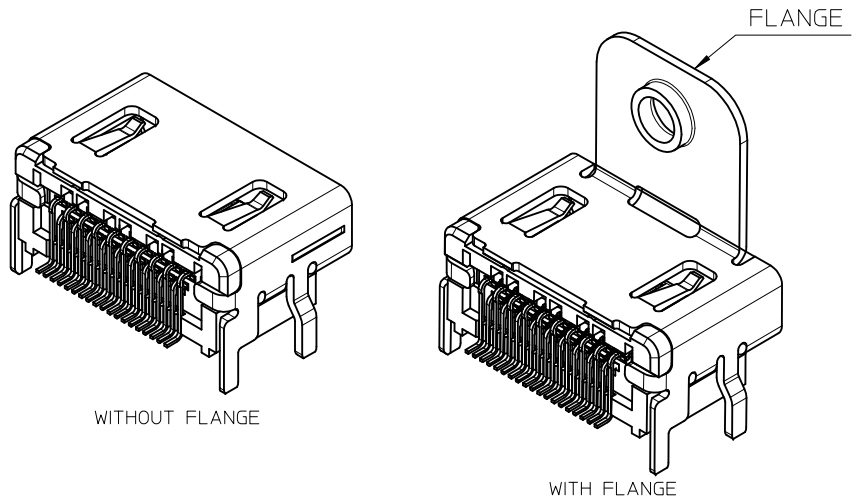
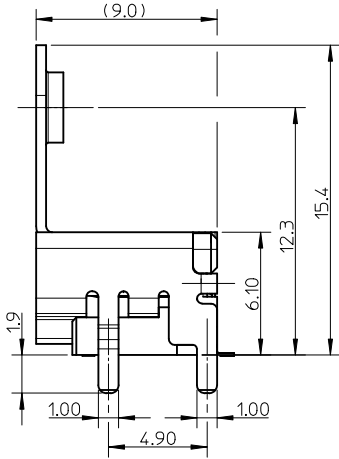
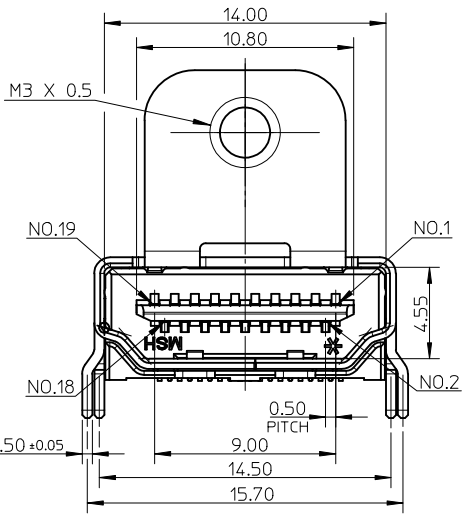
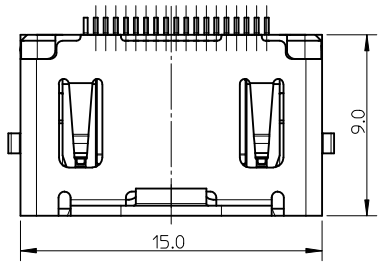
Packaging Specification	PK-47266-001
Product Specification	PS-47152-001
Sales Drawing	SD-47266-001

* High Definition Multimedia Interface and HDMI are trademarks of HDMI Licensing, LLC.

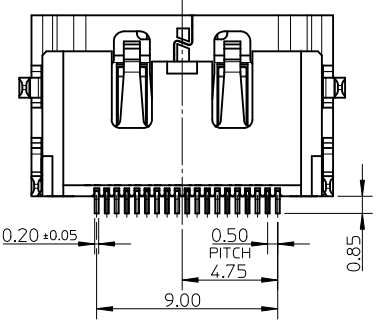
This document was generated on 05/19/2010

PLEASE CHECK WWW.MOLEX.COM FOR LATEST PART INFORMATION

10 9 8 7 6 5 4 3 2 1



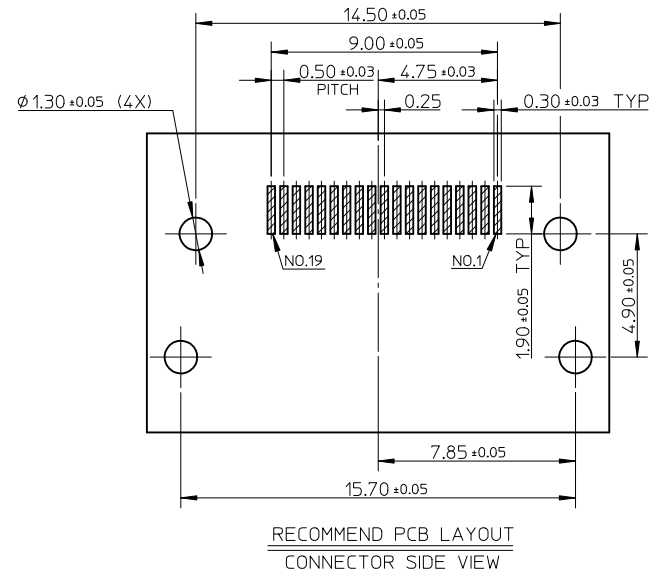
- NOTES:
- MATERIAL:
HOUSING: HIGH TEMPERATURE THERMAL PLASTIC. COLOR: SEE TABLE.
SHELL: COPPER ALLOY.
TERMINAL: COPPER ALLOY.
 - PLATING:
TERMINAL:
CONTACT AREA: (1) 0.76 MICROMETER MIN. GOLD PLATING.
(2) 0.25 MICROMETER MIN. GOLD PLATING.
(3) GOLD FLASH.
SOLDER AREA: 1 MICROMETER MIN. TIN-BISMUTH ALLOY PLATING.
UNDER PLATE: 1.27 MICROMETER MIN. NICKEL PLATING.
SHELL: (1) 1.27 MICROMETER MIN. MATTE TIN PLATING OVERALL.
(2) 0.75 MICROMETER MIN. SOLDERABLE NICKEL PLATING OVERALL.
 - TERMINAL RETENTION FORCE TO BE 0.3kgf Min.
 - PRODUCT SPECIFICATION: PS-47152-001.
 - PACKAGE SPECIFICATION: SEE TABLE.
 - COPLANARITY OF ALL TERMINALS IS 0.10mm MAX.
 - PRODUCT COMPLIANT TO RoHS DIRECTIVE 2002/95/EC AND ELV DIRECTIVE 2000/53/EC.



REVISED EC NO: SH2010-0165 DRWN:XOZHANG 2009/11/03 CHKD:GLLI 2009/11/03 APPR:XJ.SONG 2010/01/28	QUALITY SYMBOLS ▽=0 ▽=0 ▽=0	GENERAL TOLERANCES (UNLESS SPECIFIED)		DIMENSION STYLE MM ONLY	SCALE 4:1	DESIGN UNITS METRIC	THIRD ANGLE PROJECTION
			m.m	INCH	DRAWN BY ROST ZHANG	DATE 2005/05/20	TITLE HDMI RECEPTACLE W/SCREW R/A SMT CUSTOMER DRAWING
		4 PLACES	± ---	± ---	CHECKED BY GRATE MA	DATE 2005/05/20	MOLEX MOLEX INCORPORATED
		3 PLACES	± ---	± ---	APPROVED BY XJ.SONG	DATE 2010/01/26	
			ANGULAR ± 2 °		MATERIAL NO.	DOCUMENT NO.	SHEET NO.
		DRAFT WHERE APPLICABLE MUST REMAIN WITHIN DIMENSIONS		SIZE A3	THIS DRAWING CONTAINS INFORMATION THAT IS PROPRIETARY TO MOLEX INCORPORATED AND SHOULD NOT BE USED WITHOUT WRITTEN PERMISSION		1 OF 2

9 8 7 6 5 4 3 2 1

P/N	HOUSING COLOR	CONTACT AREA PLATING	SHELL PLATING	REMARK	PACKAGE SPECIFICATION
47266-7211	NATURE	SEE NOTE 2(3)	SOLDERABLE NICKEL	WITHOUT FLANGE	TAPE & REEL, PK-47266-001
47266-7111		SEE NOTE 2(2)			
47266-7011		SEE NOTE 2(1)			
47266-6201	BLACK	SEE NOTE 2(3)	SOLDERABLE NICKEL	WITHOUT FLANGE	TAPE & REEL, PK-47266-001
47266-6101		SEE NOTE 2(2)			
47266-6001		SEE NOTE 2(1)			
47266-5211	NATURE	SEE NOTE 2(3)	SOLDERABLE NICKEL	WITH FLANGE	TAPE & REEL, PK-47266-003
47266-5111		SEE NOTE 2(2)			
47266-5011		SEE NOTE 2(1)			
47266-4211	BLACK	SEE NOTE 2(3)	SOLDERABLE NICKEL	WITH FLANGE	TAPE & REEL, PK-47266-003
47266-4111		SEE NOTE 2(2)			
47266-4011		SEE NOTE 2(1)			
47266-5201	NATURE	SEE NOTE 2(3)	SOLDERABLE NICKEL	WITH FLANGE	TRAY, PK-47266-002
47266-5101		SEE NOTE 2(2)			
47266-5001		SEE NOTE 2(1)			
47266-4201	BLACK	SEE NOTE 2(3)	SOLDERABLE NICKEL	WITH FLANGE	TRAY, PK-47266-002
47266-4101		SEE NOTE 2(2)			
47266-4001		SEE NOTE 2(1)			
47266-3201	NATURE	SEE NOTE 2(3)	MATTE TIN	WITHOUT FLANGE	TAPE & REEL, PK-47266-001
47266-3101		SEE NOTE 2(2)			
47266-3001		SEE NOTE 2(1)			
47266-2201	BLACK	SEE NOTE 2(3)	MATTE TIN	WITHOUT FLANGE	TAPE & REEL, PK-47266-001
47266-2101		SEE NOTE 2(2)			
47266-2001		SEE NOTE 2(1)			
47266-1211	NATURE	SEE NOTE 2(3)	MATTE TIN	WITH FLANGE	TAPE & REEL, PK-47266-003
47266-1111		SEE NOTE 2(2)			
47266-1011		SEE NOTE 2(1)			
47266-0211	BLACK	SEE NOTE 2(3)	MATTE TIN	WITH FLANGE	TAPE & REEL, PK-47266-003
47266-0111		SEE NOTE 2(2)			
47266-0011		SEE NOTE 2(1)			
47266-1201	NATURE	SEE NOTE 2(3)	MATTE TIN	WITH FLANGE	TRAY, PK-47266-005
47266-1101		SEE NOTE 2(2)			TRAY, PK-47266-002
47266-1001		SEE NOTE 2(1)			
47266-0201	BLACK	SEE NOTE 2(3)	MATTE TIN	WITH FLANGE	TRAY, PK-47266-005
47266-0101		SEE NOTE 2(2)			TRAY, PK-47266-002
47266-0001		SEE NOTE 2(1)			



SEE SHEET 1 EC NO: SH2010-0165 DRWN: XZ ZHANG CHKD: GLLI APPR: XJ SONG	QUALITY SYMBOLS ▽ _A =0 ▽ _B =0 ▽ _C =0	GENERAL TOLERANCES (UNLESS SPECIFIED)		DIMENSION STYLE MM ONLY		SCALE 4:1	DESIGN UNITS METRIC	THIRD ANGLE PROJECTION	
			mm	INCH	DRAWN BY ROST ZHANG	DATE 2005/05/20	TITLE HDMI RECEPTACLE W/SCREW R/A SMT CUSTOMER DRAWING		
		4 PLACES	± ---	± ---	CHECKED BY GRATE MA	DATE 2005/05/20	MOLEX INCORPORATED		
		3 PLACES	± ---	± ---	APPROVED BY XJ SONG	DATE 2010/01/26	DOCUMENT NO. SD-47266-001	SHEET NO. 2 OF 2	
			2 PLACES	± 0.20	± ---	THIS DRAWING CONTAINS INFORMATION THAT IS PROPRIETARY TO MOLEX INCORPORATED AND SHOULD NOT BE USED WITHOUT WRITTEN PERMISSION			
			1 PLACE	± 0.30	± ---				
			ANGULAR ± 2 °		SEE TABLE				
			DRAFT WHERE APPLICABLE MUST REMAIN WITHIN DIMENSIONS						