

PLEASE CHECK WWW.MOLEX.COM FOR LATEST PART INFORMATION

Part Number: [0559172610](#)
Status: **Active**
Overview: microclasp
Description: 2.00mm (.079") Pitch MicroClasp™ Wire-to-Board Header, Dual Row, Vertical, 26 Circuits, with PCB Locator

Documents:

[3D Model](#) [Product Specification PS-51353-003 \(PDF\)](#)
[Drawing \(PDF\)](#) [RoHS Certificate of Compliance \(PDF\)](#)

Agency Certification

UL E29179

General

Product Family PCB Headers
 Series [55917](#)
 Application Wire-to-Board
 Overview [microclasp](#)
 Product Name MicroClasp™

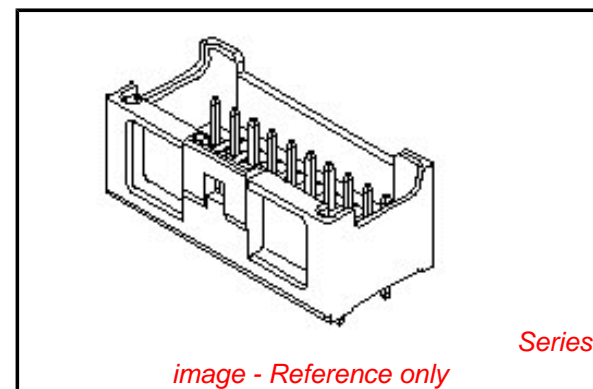
Physical

Breakaway No
 Circuits (Loaded) 26
 Circuits (maximum) 26
 Color - Resin Natural
 Durability (mating cycles max) 30
 First Mate / Last Break No
 Flammability 94V-0
 Glow-Wire Compliant No
 Guide to Mating Part No
 Keying to Mating Part None
 Lock to Mating Part Yes
 Material - Plating Mating Tin
 Material - Plating Termination Tin
 Material - Resin Polyester
 Number of Rows 2
 Orientation Vertical
 PC Tail Length (in) 0.126 In
 PC Tail Length (mm) 3.20 mm
 PCB Locator Yes
 PCB Retention Yes
 PCB Thickness Recommended (in) 0.062 In
 PCB Thickness Recommended (mm) 1.60 mm
 Packaging Type Tray
 Pitch - Mating Interface (in) 0.079 In
 Pitch - Mating Interface (mm) 2.00 mm
 Shrouded Fully
 Stackable No
 Surface Mount Compatible (SMC) No
 Temperature Range - Operating -25°C to +85°C
 Termination Interface: Style Through Hole

Electrical

Current - Maximum per Contact 3A
 Voltage - Maximum 250V

Material Info



EU RoHS

ELV and RoHS Compliant
REACH SVHC Contains SVHC: No
Halogen-Free Status
Not Reviewed

China RoHS



Need more information on product environmental compliance?

Email productcompliance@molex.com
 For a multiple part number RoHS Certificate of Compliance, [click here](#)

Please visit the [Contact Us](#) section for any non-product compliance questions.

Search Parts in this Series

[55917Series](#)

Mates With

[51353 MicroClasp™ Wire-to-Board Receptacle Housing](#)

Reference - Drawing Numbers

Packaging Specification
Product Specification

SPK-55917-001
PS-51353-003, RPS-501844-001, RPS-51353-008,
RPS-51353-009, RPS-51353-010, RPS-51353-013,
RPS-51353-014, RPS-51353-016, RPS-51353-019,
RPS-51353-020, RPS-51353-022, RPS-51353-024,
RPS-51353-025, RPS-51353-026, RPS-51353-030,
RPS-51353-031
SD-55917-003

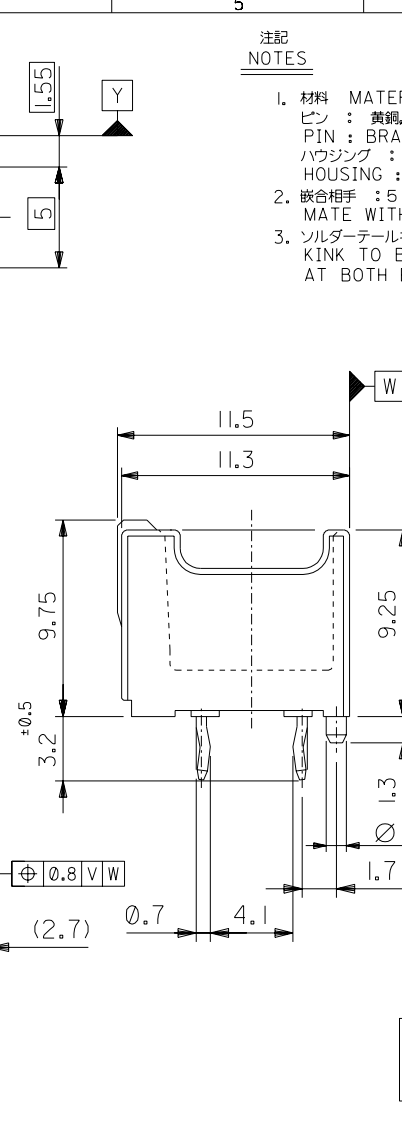
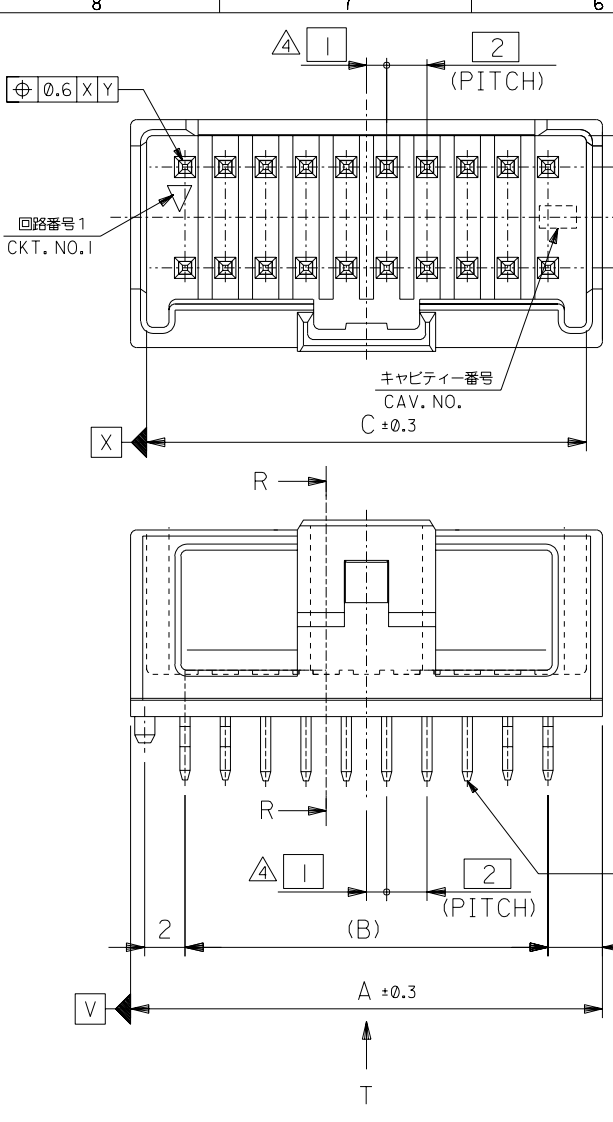
Sales Drawing

This document was generated on 06/07/2010

PLEASE CHECK WWW.MOLEX.COM FOR LATEST PART INFORMATION

DO NOT SCALE DRAWING

REVISED	REVISED	REVISED	REVISED	RELEASED
184 NO. J2003-3290 DRWN:N.ITO '03/06/26 CHK: K.ASAKAWA APPR:T.YAMAGUCHI	183 NO. J2003-3134 DRWN:N.ITO '03/06/19 CHK: K.ASAKAWA APPR:T.YAMAGUCHI	182 NO. J2002-2307 DRWN:N.ITO '02/03/18 CHK: K.ASAKAWA APPR:T.YAMAGUCHI	181 NO. J2002-1826 DRWN:N.ITO '02/02/28 CHK: K.ASAKAWA APPR:T.YAMAGUCHI	180 NO. J2002-1196 DRWN:N.ITO '01/12/17 CHK: K.ASAKAWA APPR:T.YAMAGUCHI
D	C	B	A	0
DESCRIPTION				
MATERIAL 材料				
FINISH 仕上げ				
WIRE RANGE 適用線径範囲				
INS. RANGE 被覆外径				



無鉛
LEAD FREE

注記
NOTES

1. 材料 MATERIAL
ピン : 黄銅, ニッケル下地鍍メッキ
PIN : BRASS, Sn OVER Ni PLATED
ハウジング : PBT (ガラス入り: 15%), UL94V-0
HOUSING : PBT(G.F.: 15%), UL94V-0
2. 嵌合相手 : 51353シリーズ
MATE WITH : 51353 SERIES
3. ソルダータールキンは、両端の8ピンのみとする。
KINK TO BE APPLIED FOR 8 PINS AT BOTH ENDS.

△ (全極数/2) = 偶数の場合に適用。
APPLY FOR (CIRCUIT/2)=EVEN

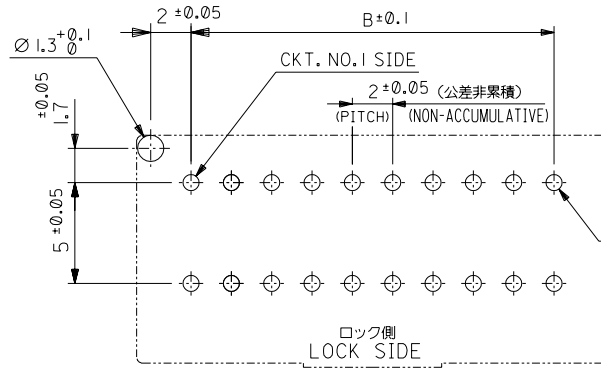
△ 製品番号
MATERIAL NO.
55917-***|*
極数 CIRCUIT SIZE | 色 COLOR

ナチュラル (白) NATURAL (WHITE)	0
黒 BLACK	1
赤 RED	2
黄 YELLOW	3
青 BLUE	4
桃 PINK	5
緑 GREEN	6
茶 BROWN	7
橙 ORANGE	8
紫 VIOLET	9

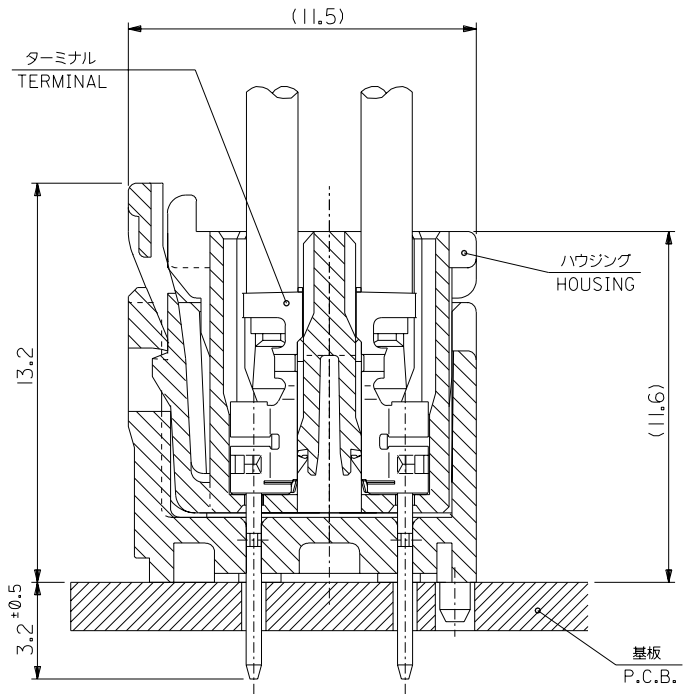
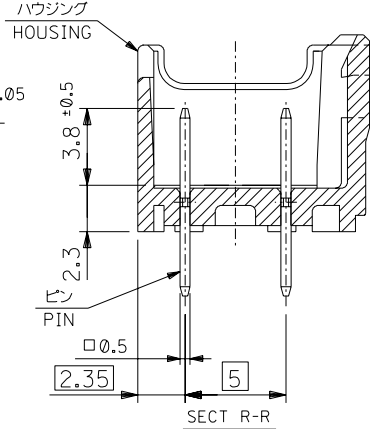
41.8	38	43.4	55917-401*	40
39.8	36	41.4	-381*	38
37.8	34	39.4	-361*	36
35.8	32	37.4	-341*	34
33.8	30	35.4	-321*	32
31.8	28	33.4	-301*	30
29.8	26	31.4	-281*	28
27.8	24	29.4	-261*	26
25.8	22	27.4	-241*	24
23.8	20	25.4	-221*	22
21.8	18	23.4	-201*	20
19.8	16	21.4	-181*	18
17.8	14	19.4	-161*	16
15.8	12	17.4	-141*	14
13.8	10	15.4	-121*	12
11.8	8	13.4	-101*	10
9.8	6	11.4	55917-081*	8
C	B	A	MATERIAL NO. CKT.	

55917-*** *		MODEL NO.		DIMENSIONS:		SHT		REV	
SCALE	DESIGN UNITS	PROJECTION	ANGLE	mm	INCH	mm	INCH	mm	INCH
10 UNDER 未満	mm	1st ANGLE	0°	<input type="checkbox"/>	<input type="checkbox"/>	<input checked="" type="checkbox"/>	<input type="checkbox"/>	<input type="checkbox"/>	<input type="checkbox"/>
10 OVER 30 UNDER 未満	mm			<input type="checkbox"/>	<input type="checkbox"/>	<input type="checkbox"/>	<input type="checkbox"/>	<input type="checkbox"/>	<input type="checkbox"/>
30 OVER 以上	mm			<input type="checkbox"/>	<input type="checkbox"/>	<input type="checkbox"/>	<input type="checkbox"/>	<input type="checkbox"/>	<input type="checkbox"/>
ANGLE 角度	3°			<input type="checkbox"/>	<input type="checkbox"/>	<input type="checkbox"/>	<input type="checkbox"/>	<input type="checkbox"/>	<input type="checkbox"/>
DRAWN BY & DATE N.ITO '01/12/17		TITLE: 2.0mm W+-B DUAL CONN DIP PLUG HOUSING ASS'Y ST (WITH BOSS)							
CHECKED BY & DATE K.ASAKAWA '03/06/26		MOLEX INCORPORATED							
APPROVED BY & DATE T.YAMAGUCHI '03/06/26		MATERIAL NO.		DRAWING NO.		SHEET NO.		REV	
CAD FILENAME 55917003.S01		SEE CHART		SD-55917-003		1 OF 2		B	
* THIS DRAWING CONTAINS INFORMATION THAT IS PROPRIETARY TO MOLEX INCORPORATED AND SHOULD NOT BE USED WITHOUT WRITTEN PERMISSION.									

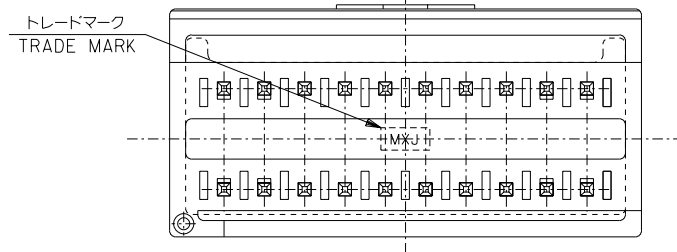
DWG. NO. SD-55917-003



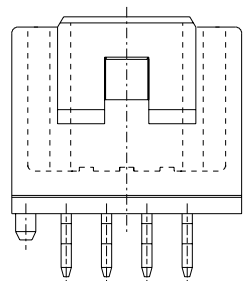
基板取付穴推奨寸法 (マウント面)
RECOMMENDED P.C.B. BOARD
HOLE DIMENSION
(MOUNTING SIDE)
(t = 1.6)



嵌合断面図 (参考)
MATED DRAWING (REF.)



VIEW *T*



8 CIRCUIT

無鉛
LEAD FREE

DO NOT SCALE DRAWING

REVISED #64NO. J2003-3290 DRWN:N.ITO '03/06/26 CHK: K.ASAKAWA APPR:T.YAMAGUCHI	REVISED #63NO. J2003-3134 DRWN:N.ITO '03/06/19 CHK: K.ASAKAWA APPR:T.YAMAGUCHI	REVISED #62NO. J2002-2307 DRWN:N.ITO '02/03/18 CHK: K.ASAKAWA APPR:T.YAMAGUCHI	REVISED #61NO. J2002-1826 DRWN:N.ITO '02/02/28 CHK: K.ASAKAWA APPR:T.YAMAGUCHI	RELEASED #60NO. J2002-1196 DRWN:N.ITO '01/12/17 CHK: K.ASAKAWA APPR:T.YAMAGUCHI	MATERIAL 材料 注記参照 SEE NOTES	FINISH 仕上げ //	WIRE RANGE 適用線径範囲 //	INS. RANGE 被覆外径 //
--	--	--	--	---	-------------------------------------	---------------------	----------------------------	--------------------------

GENERAL TOLERANCES: (UNLESS SPECIFIED) 一般公差	
10 UNDER 未満	±0.2
10 OVER 30 UNDER 未満	±0.25
30 OVER 以上	±0.3
ANGLE 角度	±3°

55917-***		MODEL NO.	DIMENSIONS:		SHT	REV
SCALE 4:1	DESIGN UNITS mm INCH	PROJECTION 2D 3D	mm INCH	mm ONLY	2	ON CAD ONLY
DRAWN BY & DATE N.ITO '01/12/17		TITLE: 2.0mm W-t-B DUAL CONN DIP PLUG HOUSING ASS'Y ST (WITH BOSS)				
CHECKED BY & DATE K.ASAKAWA '03/06/26		APPROVED BY & DATE T.YAMAGUCHI '03/06/26				
CAD FILENAME 55917003.S02		MATERIAL NO. SEE CHART	DRAWING NO. SD-55917-003	SHEET NO. 2 OF 2		
MOLEX INCORPORATED						
* THIS DRAWING CONTAINS INFORMATION THAT IS PROPRIETARY TO MOLEX INCORPORATED AND SHOULD NOT BE USED WITHOUT WRITTEN PERMISSION.						
					SIZE B	