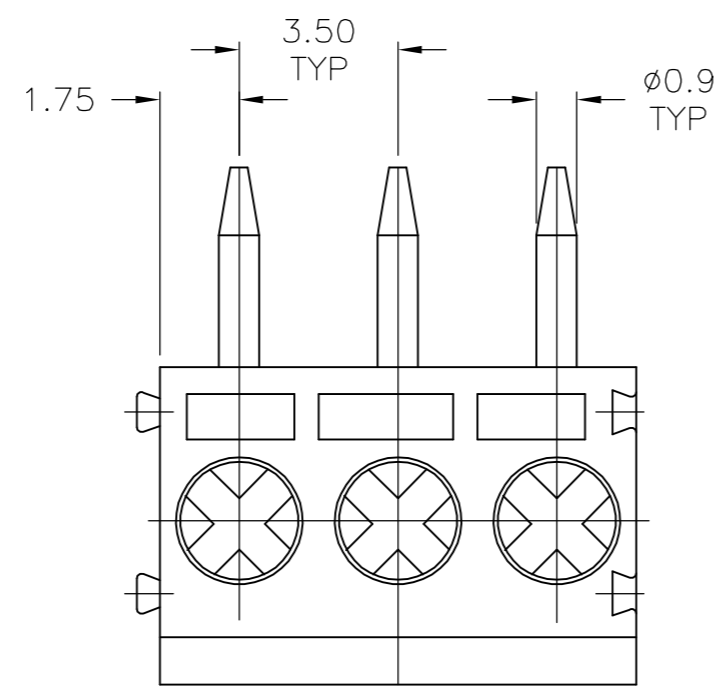


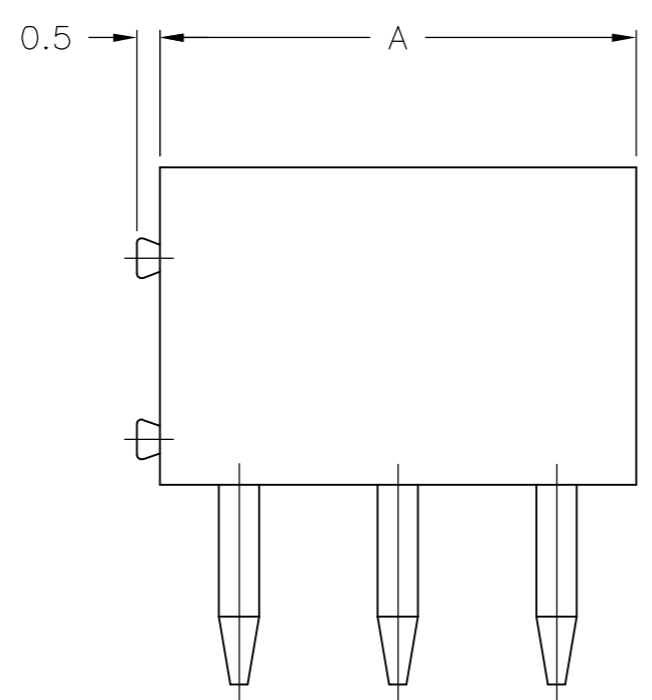
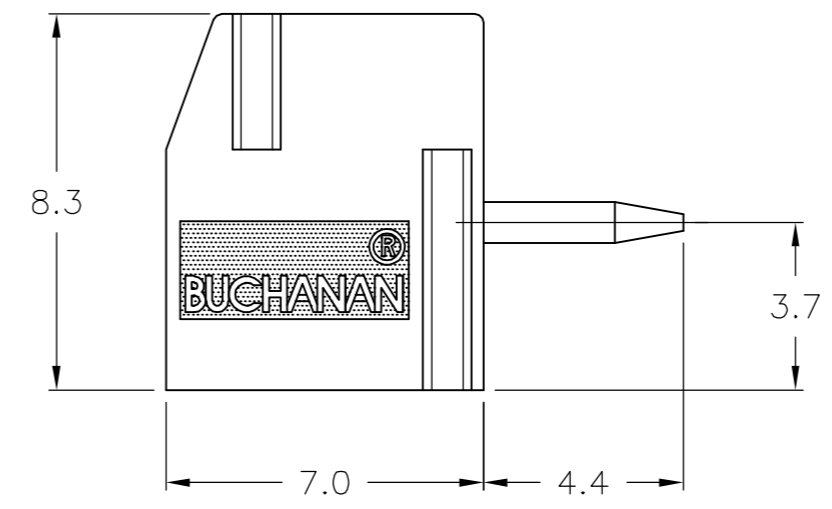
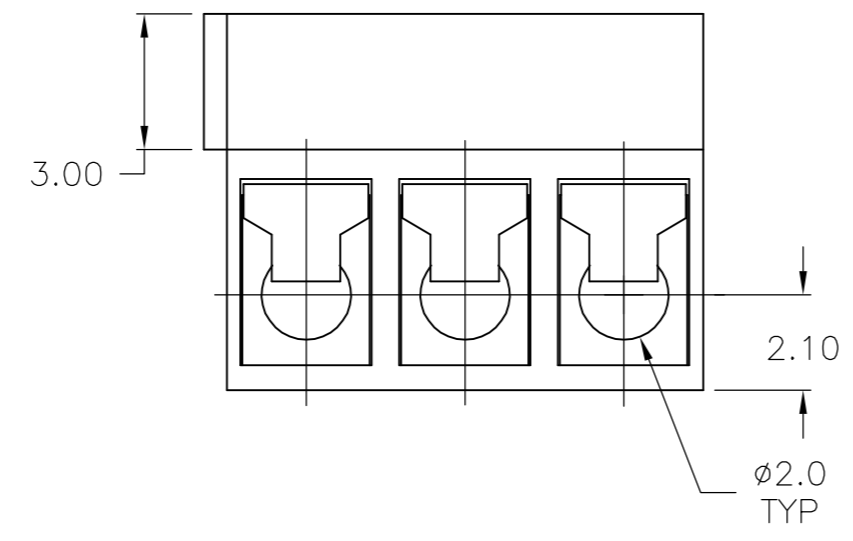
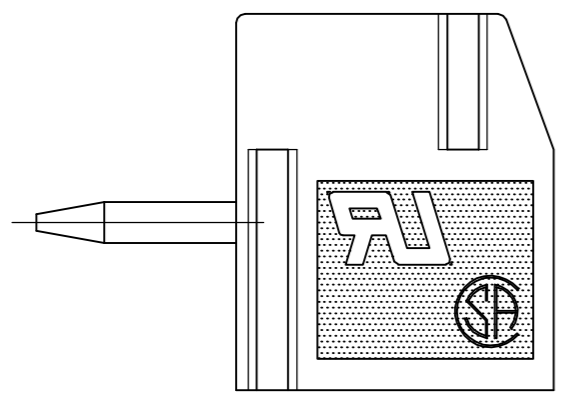
THIS DRAWING IS UNPUBLISHED. RELEASED FOR PUBLICATION  
 © COPYRIGHT BY TYCO ELECTRONICS CORPORATION. ALL RIGHTS RESERVED.

LOC		DIST		REVISIONS			
P	LTR	DESCRIPTION		DATE	DWN	APVD	
FT	0	D1	REVISED PER ECO-05-14175		11/18/05	SS	CR



NOTES:

1. ALL DIMENSIONS ARE IN MM.
2. RECOMMENDED PC BOARD HOLE DIAMETER: 1.20MM TO 1.40MM.
3. BUCHANAN LOGO TO APPEAR ON HOUSING LOCATION OPTIONAL WHERE SPACE PERMITS.



796417-3 AS SHOWN

84.00	24	2-796417-4
80.50	23	2-796417-3
77.00	22	2-796417-2
73.50	21	2-796417-1
70.00	20	2-796417-0
66.50	19	1-796417-9
28.00	18	1-796417-8
59.50	17	1-796417-7
56.00	16	1-796417-6
52.50	15	1-796417-5
49.00	14	1-796417-4
45.50	13	1-796417-3
42.00	12	1-796417-2
38.50	11	1-796417-1
35.00	10	1-796417-0
31.50	9	796417-9
28.00	8	796417-8
24.50	7	796417-7
21.00	6	796417-6
17.50	5	796417-5
14.00	4	796417-4
10.50	3	796417-3
7.00	2	796417-2
A	NO. OF POSN	PART NUMBER

THIS DRAWING IS A CONTROLLED DOCUMENT.		DWN E. ZANOLINI 11/8/02	Tyco Electronics Corporation Harrisburg, PA 17105-3608	
DIMENSIONS: mm		CHK D.A. BIEVENOUR 11/8/02	NAME D.A. BIEVENOUR	
TOLERANCES UNLESS OTHERWISE SPECIFIED:		APVD D.A. BIEVENOUR 11/8/02	PRODUCT SPEC	
0 PLC ± - 1 PLC ± 0.3 2 PLC ± 0.25 3 PLC ± - 4 PLC ± - ANGLES ± - FINISH -		APPLICATION SPEC	STRAIGHT, TOP WIRE ENTRY, W/ INTERLOCK 3.5MM PITCH	
MATERIAL	FINISH	WEIGHT	SIZE A2	RESTRICTED TO
-	-	-	CAGE CODE 00779	-
CUSTOMER DRAWING		SCALE NTS	DRAWING NO C=796417	REV D1
		SHEET 1	OF 2	

THIS DRAWING IS UNPUBLISHED. RELEASED FOR PUBLICATION  
 © COPYRIGHT BY TYCO ELECTRONICS CORPORATION. ALL RIGHTS RESERVED.

LOC	DIST	REVISIONS					
FT	0	P	LTR	DESCRIPTION	DATE	DWN	APVD
		-		SEE SHEET 1	-	-	-

1. APPLICATION AND FEATURES:

- 1-1. STANDARD SIZES ARE 2 AND 3 WAY-BLOCKS, BUT EVERY NUMBER OF CONTACT CAN BE COMBINED, BY SIMPLY PLUGGING THEM TOGETHER AND CAN BE ORDERED AS REQUIRED.
- 1-2. WITH WIRE GUARD FOR WIRE PROTECTION SO THAT THE SCREW DOESN'T PRESS DIRECTLY ON THE WIRE.

2. TECHNICAL DATA:


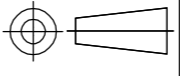
- 2-1. MATERIAL:
  - 2-1-1. HOUSING: NY-FR15 UL 94 V-0.
  - 2-1-2. METAL HOUSING: BRASS(Cu Zn)  
Cu, TIN PLATED.
  - 2-1-3. WIRE GUARD: STAINLESS STEEL.
  - 2-1-4. SCREW: STEEL GALVANIZED AND CHROMATIZED, M2.6.

2-2. ELECTRICAL:

- 2-2-1. CURRENT RATING: RATING: 7 AMPS/WAY MAX.
- 2-2-2. CONTACT RESISTANCE: 20mΩ (MAX).
- 2-2-3. INSULATION RESISTANCE: 5000MΩ/1000V.
- 2-2-4. WITHSTANDING VOLTAGE: 1500 VAC/MIN.
- 2-2-5. OPERATION VOLTAGE: 250 VAC.
- 2-2-6. WIRE RANGE: 18-26 AWG.

2.3. MECHANICAL:

- 2-3-1. TORQUE: 4 Kg.cm (MAX).
- 2-3-3. OPERATING TEMPERATURE: -55°C to +105°C.
- 2-3-4. SOLDERABILITY: 95% COVERAGE (MIN).

THIS DRAWING IS A CONTROLLED DOCUMENT.		DWN E. ZANOLINI 11/8/00	 Tyco Electronics Corporation Harrisburg, PA 17105-3608	
DIMENSIONS: mm		CHK D.A. BIEVENOUR 11/8/00	NAME D.A. BIEVENOUR	
		APVD D.A. BIEVENOUR 11/8/00	PRODUCT SPEC -	
TOLERANCES UNLESS OTHERWISE SPECIFIED:		APPLICATION SPEC -	RESTRICTED TO -	
MATERIAL -	FINISH -	WEIGHT -	SIZE A2	CAGE CODE 00779
		DRAWING NO C=796417		SCALE NTS
		CUSTOMER DRAWING		SHEET 2 of 2
				REV D1