

PLEASE CHECK WWW.MOLEX.COM FOR LATEST PART INFORMATION

Part Number: [0354189002](#)
Status: **Active**
Description: MP-Lock™ Quick Disconnect with Vibration Support, Flag Type, Metal Strip, Tab 2.79 by 0.50mm (.187 by .020"), Pre-Tin Plated

Documents:

[Drawing \(PDF\)](#) [RoHS Certificate of Compliance \(PDF\)](#)
[Product Specification PS-35418-9002 \(PDF\)](#)

General

Product Family	Quick Disconnects
Series	35418
Crimp Quality Equipment	Yes
Product Name	MP-Lock™
Type	Quick Disconnect

Physical

Barrel Type	Open
Gender	Female
Glow-Wire Compliant	No
Insulation	None
Lock to Mating Part	Yes
Material - Metal	Brass
Orientation	Flag
Packaging Type	Reel
Polarized to Mating Part	No
Tab Thickness	0.51mm (.020")
Tab Width	4.75mm (.187")
Temperature Range - Operating	-40°C to +105°C
Termination Interface: Style	Crimp or Compression
Wire Size AWG	16, 18, 20, 22
Wire Size mm²	0.35 - 1.30

Electrical

Voltage - Maximum	300V
-------------------	------

Material Info

Reference - Drawing Numbers

Product Specification	PS-35418-9002
Sales Drawing	SD-35418-9002

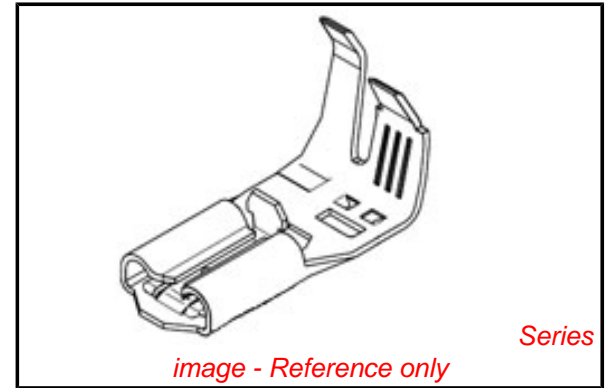


image - Reference only

EU RoHS

ELV and RoHS Compliant
REACH SVHC Contains SVHC: No
Halogen-Free Status

China RoHS



Need more information on product environmental compliance?

Email productcompliance@molex.com
 For a multiple part number RoHS Certificate of Compliance, [click here](#)

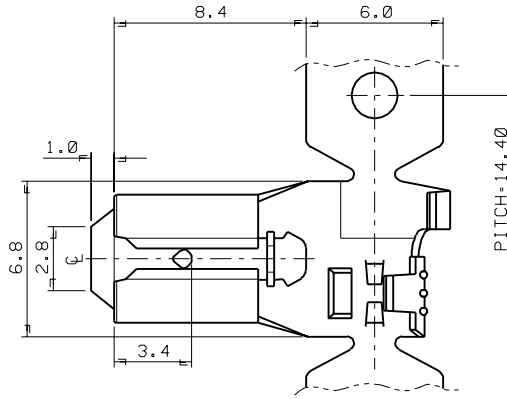
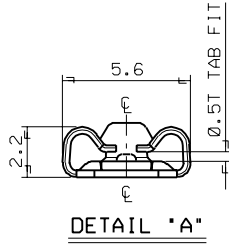
Please visit the [Contact Us](#) section for any non-product compliance questions.

Search Parts in this Series

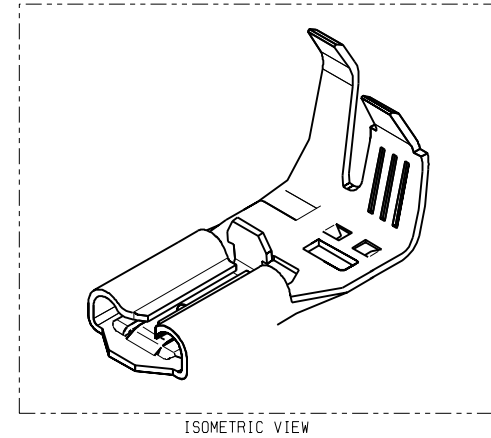
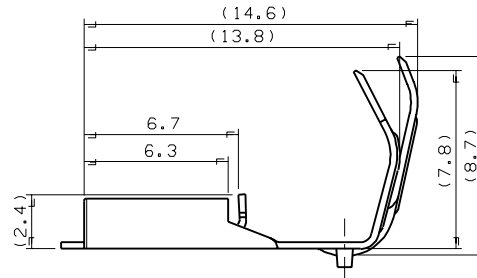
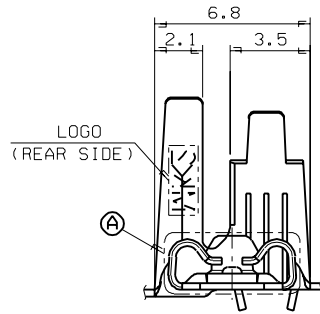
[35418Series](#)

Use With

[35526-0*10](#)



- NOTES
1. MATERIAL : BRASS, 0.3MM THICKNESS
 2. FINISH : PRE-PLATED TIN
 3. MATING TAB THICKNESS : 0.5MM
 4. MATED HOUSING : 35526-0-10



				MATERIAL		SEE NOTES		MOLEX-KOREA CO.,LTD.	
				GENERAL TOLERANCE		DIMENSION : +0.3		DRAWN BY	
				ANGLE :				J.S.KANG	
				DIMENSION CLASSIFICATION		▼ : CRITICAL ▽ : MAJOR () : REFERENCE		CHK'D BY	
A				NEW RELEASED		KOR7 97 8.1		APP'D BY	
LTR				REVISION RECORD		ECN DATE		SCALE	
								5/1	
								TITLE :	
								.187 MP-LOCK FLAG TM'L	
								SHEET	
								1 OF 1	
								REV	
								A	
				REVISE ONLY ON CAD SYSTEM		---		ENG. NO.	
								SD 35418-9002	
								REV	
								A	